

AC Voltage Stabilizer



Page F01

SBW

High Power Compensation
Single, Three Phase
Voltage Stabilizer



Page F02

SVC

Single-phase Automatic
Voltage Stabilizer



Page F03

SVC

Three-phase High
Accuracy Automatic
AC Voltage Stabilizer



Page F04

AVR

Household Voltage
Stabilizer (Relay type)



Page F05

TSD

Hanging-style High
Accuracy AC Voltage Stabilizer

AC Voltage Regulator



Page F06

TDGC2, TDGC2J
TSGC2, TSGC2J
Voltage Regulator

Control Transformer



Page F08

BK

Control Transformer



Page F10

JBK

Machine Tool
Control Transformer



Page F11

JBK5

Machine Tool
Control Transformer



Page F13

SG

Three-phase dry-type (rectifier)
transformers

SVC Series

Single-phase Automatic Voltage Stabilizer



Power Equipment

Power Supply



Page F15
MSF-10W, MSF-20W
Power Supply



Page F16
MS-15W, S-15W
Power Supply



Page F17
MS-25W, S-25W
Power Supply



Page F18
MS-35W, S-35W
Power Supply



Page F19
MS-50W, S-50W
Power Supply



Page F20
MS-60W, S-60W
Power Supply



Page F21
S-75W, MS-100W
Power Supply



Page F22
S-100W, S-120W
Power Supply



Page F23
S-145W, MS-150W
Power Supply



Page F24
S-150W, S-200W
Power Supply



Page F25
S-201W, S-250W
Power Supply



Page F26
S-350W, S-200W
Power Supply



Page F27
S-400W, S-500W
Power Supply



Page F28
S-600W, DR-30W
Power Supply



Page F29
DR-45W, DR-60W
Power Supply



Page F30
DR-75W, DR-120W
Power Supply

Power Supply & Inverter



Inverter



Page F31
YCPE
Series Pure Sine
Wave Inverter With E Display



Page F32
YCP
Series Pure Sine
Wave Inverter



Page F33
YPCP
Series Pure Sine
Wave Inverter With Charger



Page F34
YCM
Modified Sine
Wave Inverter

SBW High Power Compensation Single, Three Phase Voltage Stabilizer



Introduction

SBW three phases AC voltage stabilizer is a high power adjustable automatic voltage compensation regulating power device. When voltage from support network is varied due to loading current influence, it automatically regulates the output voltage to ensure the normal function of the electric equipments. Compared with other types of voltage stabilizer, this series product has large capacity, high efficiency, no waveform distortion, stable voltage regulation and other advantages, it supports widely load application, instantaneous overload and continuous long work, manual/auto switch, can also provide over voltage, lack phase, phase order and machine faulty automatically protection. Conveniently assemble and reliable operating (can be digital display/analog display).

Specifications

Input voltage	Single phase: 175V-265V Three phases: 300V-456V
Output voltage	Single phase: 220V Three phases: 380V
Output deviance	1-5% Adjustable
Frequency	50Hz~60Hz
Efficiency	≥95%
Response time	≤1.5S
Ambient temperature	-10°C~+40°C
Insulation resistance	≥5MΩ
Overload	Double reted current, one min
Waveform distortion	Non-lack fidelity wareform
Protect	Overvoltage, Overcurrent, Lack phases

Outline & Packing

Model	Output Power(KVA)	Outline(cm)	Weight(kg)
SBW-50K	50	80×54×135	250
SBW-60K	60	80×54×135	255
SBW-100K	100	85×62×150	357
SBW-150K	150	100×70×165	482
SBW-180K	180	100×70×165	515
SBW-200K	200	100×70×165	562
SBW-225K	225	110×80×185	670
SBW-250K	250	110×80×185	710
SBW-300K	300	110×80×195	755
SBW-320K	320	110×80×195	810
SBW-400K	400	100×80×200 Double cabinets	1175
SBW-500K	500	100×80×200 Double cabinets	1510
SBW-600K	600	100×80×200 Double cabinets	1790

SVC Single-phase Automatic Voltage Stabilizer



Introduction

SVC series full-automatocal voltage regulator consist of contact autotrasmformer, servomotor, automatic control circuit etc. When grid voltage or load is changed, automatically sampling control circuit sends a signal to drive servomotor, adjust the position of the self coupling voltage regulator for carbon brush, make the output voltage rating reach the stable state. This product has the waveform distortionless, reliable performance. long-term operation and other characteristics, such as time delay, over voltage, undervoltage protection. It can be widely used in electricity which need stable voltage, it is an ideal voltage stabilized supply to ensure the normal operation of electrical equipment.

Specifications

Input voltage	150V-250V
Output voltage	220V
Output deviance	±3%
Frequency	50Hz~60Hz
Efficiency	≥90%
Response time	≤1S
Ambient temperature	-10°C~+40°C
Insulation resistance	≥5MΩ
Waveform distortion	Non-lack fidelity wareform
Protect	Overvoltage, Overcurrent

Outline & Packing

Model	Weight(kg)	Outline(cm)	QTY
SVC-500VA	4	19×16×14	4
SVC-1000VA	5.5	21×19×17	4
SVC-1500VA	5.8	21×19×17	4
SVC-2000VA	10	29×24×20	2
SVC-3000VA	12	29×24×25	2
SVC-5000VA	15	36×22×29	2
SVC-7000VA	16.5	36×22×29	2
SVC-10000VA	27	42×24×36	1
SVC-15000VA	64	42×38×76	1
SVC-20000VA	70	42×38×76	1
SVC-30000VA	95	45×43×87	1
SVC-5000VA(vertical)	17	32×28×46	1
SVC-10000VA(vertical)	36	36×28×51	1

SVC Three-phase High Accuracy Automatic AC Voltage Stabilizer



Introduction

SVC series three phases high precision automatic voltage stabilizer is combined with SVC single phase high precision automatic voltage stabilizer. Three phases adjust individually to guarantee steady safe voltage in per phase, The incoming power of network is three phases four wires system, starlike (Y) connection, the output power can be made in three phases four wires or three phases three wires, three ampere meters indicate the output current per phase, testing the outline voltage of per phase by a switch & a voltage meter shift.

Specifications

Input voltage	280V-430V
Output voltage	380V
Output deviance	±3%
Frequency	50Hz~60Hz
Efficiency	≥90%
Response time	≤1S
Ambient temperature	-10°C~+40°C
Insulation resistance	≥5MΩ
Waveform distortion	Non-lack fidelity waveform
Protect	Overvoltage, Overcurrent

Outline & Packing

Model	Rated capacity(KVA)	Weight(kg)	Outline(cm)
SVC-1.5K	1.5	20	48.5×22.5×17
SVC-3K	3	24	48.5×22.5×17
SVC-4.5K	4.5	28	48.5×22.5×17
SVC-6K	6	34	36×28×68
SVC-9K	9	43	38×32×78
SVC-15K	15	68	52×40×86
SVC-20K	20	85	49×46×97
SVC-30K	30	91	64×57×118
SVC-40K	40	175	64×57×118
SVC-50K	50	185	64×57×118
SVC-60K	60	196	64×57×118
SVC-80K	80	233	67×55×132
SVC-100K	100	257	81×70×147

AVR Household Voltage Stabilizer (Relay type)



Introduction

AVR series full-automatic ac voltage regulator is a newly designed products on the basis of SVC series product. With good functions, such as time delay, over voltage, undervoltage etc, the use of relay switch output transformer tap, quick response, and low energy consumption can be widely used where need stable voltage like household, hospital, office, industrial automation and so on.

Specifications

Model		AVR-500VA	AVR-1000VA	AVR-1500VA	AVR-2000VA	AVR-3000VA	AVR-5000VA	AVR-8000VA	AVR-10KVA
Power		500VA	1000VA	1500VA	2000VA	3000VA	5000VA	8000VA	10KVA
Input	Input voltage range	150-250V AC							
	Input frequency	50-60Hz							
Output	Output voltage	220V AC							
	Output precision	±8%							
Efficiency		95%							
Phase		Single phase							
Meter display status		Input voltage/Out put voltage							
Led display Status	Working	GREEN, Indicating power ON/OFF							
	Delaying	YELLOW, Indicating DELAY ON/OFF							
	Over-v	RED, Indicating if the machine is working regularly							
Environmental	Operating temperature	0~40°C							
	Storage temperature	-15°C~45°C							
	Operating relative humidity	10% RH~102%RH; Non-condensing							
Physical	Packing size(cm)	47.5×26×37	38.5×29×44	38.5×29×44	38.5×29×44	47×40.5×27.5	47×40.5×27.5	47×24×27.5	47×24×27.5
	Qty	6	4	4	4	2	2	1	1

TSD Hanging-style High Accuracy AC Voltage Stabilizer



Introduction

TSD series servo type hanging automatic ac voltage stabilizer is a new and perfect design on the base of the SVC series products. It has the excellent function like over voltage, under voltage protection, main protection and steady voltage shift automatically, the hanging type installation can effectively use the space, smooth appearance and color, can give users a flesh feeling. It can be widely used in most situations like home, hospital, office and where the voltage stability is required.

Specifications

Input voltage	150V-250V
Output voltage	220V
Output deviance	±3%
Frequency	50Hz~60Hz
Efficiency	≥90%
Response time	< 1S
Ambient temperature	-10°C~+40°C
Insulation resistance	≥5MΩ
Waveform distortion	Non-lack fidelity waveform
Protect	Overvoltage, Overcurrent
The delay time	5±2min

Outline & Packing

Model	Rated Capacity(KVA)	Weight(kg)	Outline(cm)
TSD-3000VA	3	27	39×26×15
TSD-5000VA	5	32	41×28×18
TSD-8000VA	8	40	41×28×18
TSD-10000VA	10	45	41×28×18
TSD-12000VA	12	51	44×32×20.5

TDGC2, TDGC2J, TSGC2, TSGC2J Voltage Regulator



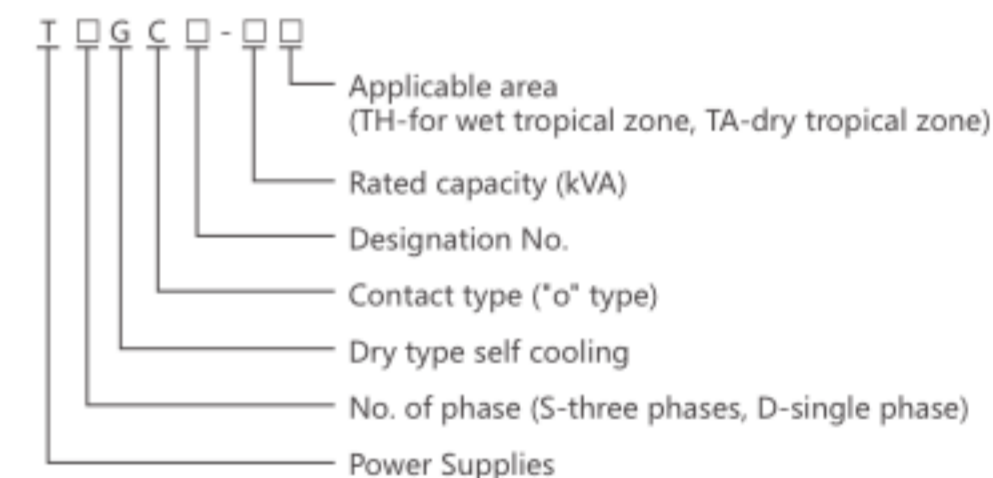
General

This product is designed and developed with the international advanced compensation technology. It can keep the output voltage steady state automatically when the network voltage is fluctuated or the load current is varied, which can ensure the consumer run smoothly. It has the advantage of large capacity, high efficiency, no waveform distortion, simple operation and maintenance, reliable running, full-capacity output under tower input voltage if compared with other voltage stabilizer. It is provided with over-voltage, over-current, phase sequence and so on protection function.

It is suitable for electric supply in small-sized plant, workshop and department in middle, large-sized mining enterprise, it can be widely used in the precision machine tool, precision instrument, test device, elevator, imported electromechanical device, production flow-line in the mining enterprise, oil field, railway, building site, school, hospital, hotel, scientific research department and so on, it is also suitable for the user in the user in the LV electric network end with low power voltage and big wave range.



Type designation



TDGC2, TDGC2J, TSGC2, TSGC2J Voltage Regulator

Specifications & overall dimensions (mm)

TDGC2, TSGC2 Series contact voltage regulator

Specification & Capacity	Max output capacity (KVA)	Rated input voltage (V)	Rated output voltage (V)	Max output current (A)	Overall size (W×D×L) (mm)	QTY pcs	Package size (W×D×L) (mm)	Net weight (kg)	Gross weight (kg)	Phase
TDGC2-0.2	0.2	220V	0-250V	0.8	105×130×130	12	380×347×350	25	26.5	1
TDGC2-0.5	0.5			2	125×150×130	8	380×347×350	27	28	
TDGC2-1	1.0			4	180×200×210	4	435×255×465	25	26	
TDGC2-2	2.0			8	180×200×210	4	435×255×465	31.5	33	
TDGC2-3	3.0			12	210×230×235	2	490×275×270	21.5	23	
TDGC2-5	5.0			20	240×285×250	1	330×275×290	17.5	18	
TDGC2-10	10.0			40	240×335×400	1	390×295×505	34	40	
TDGC2-15	15.0			60	240×335×560	1	390×295×650	50	58	
TDGC2-20	20.0			80	240×340×590	1	390×295×650	53	60	
TSGC2-1.5	1.5			380V	0-430V	2	125×180×340	1	200×260×400	
TSGC2-3	3.0	4	180×250×430			1	300×220×510	17	21.5	
TSGC2-6	6.0	8	180×250×460			1	300×220×560	22	27	
TSGC2-9	9.0	12	210×250×590			1	320×260×580	29	35	
TSGC2-15	15.0	20	240×330×560			1	390×295×650	48	56	
TSGC2-20	20.0	26.5	240×330×580			1	390×295×650	53	60	
TSGC2-30	30.0	40	350×420×1060			1	440×450×1170	138	150	

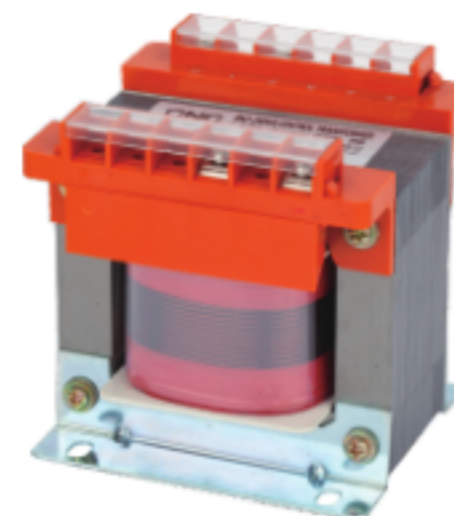
TDGC2J, TSGC2J Series contact voltage regulator

Specification & Capacity	Max output capacity (KVA)	Rated input voltage (V)	Rated output voltage (V)	Max output current (A)	Overall size (W×D×L) (mm)	QTY pcs	Package size (W×D×L) (mm)	Net weight (kg)	Gross weight (kg)	Phase
TDGC2J-0.5	0.5	220V	0-250V	2	130×150×160	8	330×295×455	30	31.5	1
TDGC2J-1	1.0			4	185×200×215	4	430×395×275	26	27.5	
TDGC2J-2	2.0			8	230×240×215	2	460×250×245	18	19.5	
TDGC2J-3	3.0			12	265×270×215	2	490×280×255	26	27	
TDGC2J-5	5.0			20	350×395×260	1	430×430×340	25	29	
TDGC2J-7	7.0			28	350×390×260	1	430×430×340	27	30.5	
TDGC2J-10	10.0			40	350×410×420	1	430×430×500	47.5	51	
TDGC2J-15	15.0			60	350×410×570	1	430×430×690	67	73	
TDGC2J-20	20.0			80	350×410×570	1	430×430×690	80	86	
TDGC2J-30	30.0			120	350×410×1080	1	440×440×1170	138	150	
TSGC2J-1.5	1.5	380V	0-430V	2	130×150×420	1	200×260×510	11	14.5	3
TSGC2J-3	3.0			4	200×185×510	1	210×230×570	19.5	22.5	
TSGC2J-6	6.0			8	230×240×510	1	280×280×570	28	32.5	
TSGC2J-9	9.0			12	265×270×510	1	285×330×590	39	44	
TSGC2J-15	15.0			20	350×395×570	1	440×430×690	66	72	
TSGC2J-20	20.0			27	350×395×570	1	440×430×690	80	86	
TSGC2J-30	30.0			40	350×430×1060	1	440×450×1170	138	150	

Note:

1. TDGC2, TSGC2 series products are same with the TDGC2J, TSGC2J series.
2. The said overall size and weight are for reference only.

BK Control Transformer



Sphere of application

BK series control transformer for 50~60Hz, voltage to 500V circuits, is used as the control power supply in machine tools, mechanical equipment, local lighting and power indicator light.

Type designation



Working condition

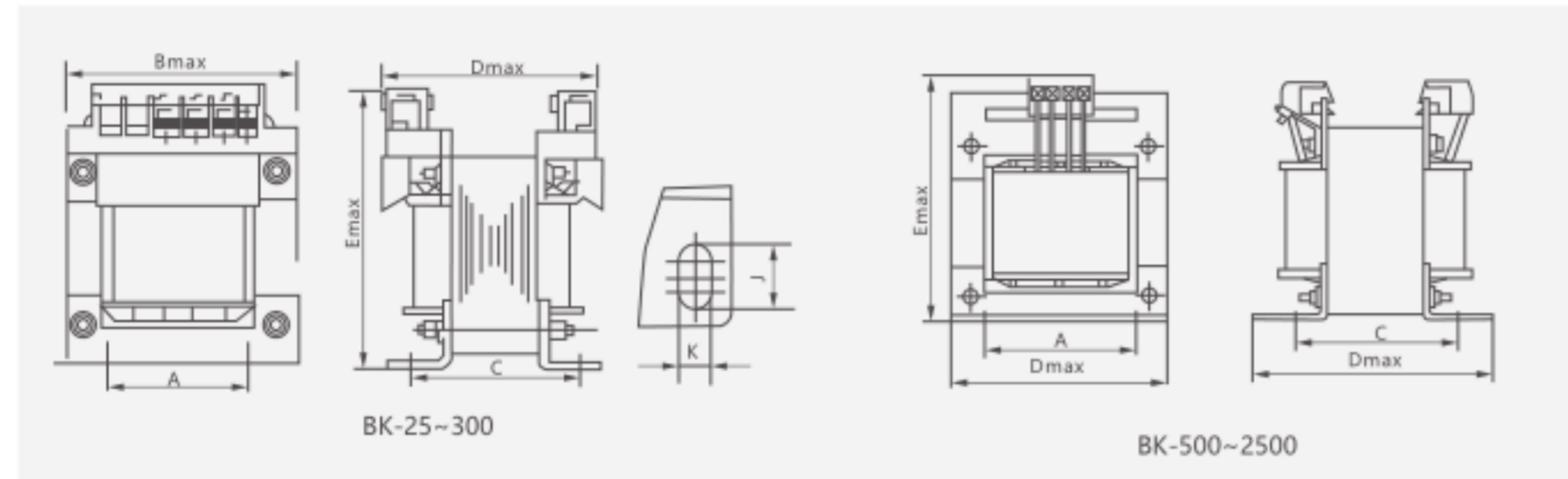
1. The ambient air temperature of -5°C to +40°C, 24-hour average does not exceed +35°C;
2. Installation site altitude does not exceed 2000m;
3. The atmospheric relative humidity in the ambient air temperature is +40°C less than 50%, at a lower temperature can have a higher relative humidity, the wet months, the average maximum humidity of 90%, while the monthly average minimum monthly temperature to +25°C, and taking into account changes in temperature occurred in the surface of the Gel.

Structure

BK series control transformer adopts the advantage of similar products at home and abroad for many years to use advanced manufacturing techniques and rigorous design, and advanced optimization methods terminals. with excellent performance, reliable operation, low power consumption. small size, wiring security, protection level high, wide applicability and soon. BK series is an ideal transformer power supply that can long-term work in rated load.

BK Control Transformer

Shape and mounting dimension



Item Dimension Model	Shape dimension			Mounting dimension		Install bore dimension	Note
	Bmax	Dmax	Emax	A	C	K×J	
BK-25	80	70	90	56	49±0.5	5×8	
BK-50	80	72	90	56	51±0.5	5×8	
BK-100	98	85	108	84	63±0.5	5×8	
BK-150	105	87	110	76	65±0.5	5×8	
BK-200	105	100	110	76	76±0.5	8×11	
BK-250	105	105	110	76	81±0.5	8×11	
BK-300	115	110	125	90	78±0.5	8×11	
BK-400	135	120	140	100	85±0.5	8×13	
BK-500	135	130	140	100	95±0.5	8×13	
BK-600	152	125	150	120	90±0.5	8×13	
BK-700	152	125	150	120	90±0.5	8×13	
BK-800	152	140	150	120	105±0.5	8×13	
BK-1000	152	155	165	120	120±0.5	8×13	
BK-1500	152	165	165	120	130±0.5	8×13	Copper
BK-1500	170	180	195	130	110±0.5	8.5×17	Aluminum
BK-2000	170	180	190	130	110±0.5	8.5×17	Copper
BK-2000	205	205	240	170	115±0.5	8×11	Aluminum
BK-2500	205	225	240	170	130±0.5	8×11	
BK-3000	205	225	240	170	130±0.5	8×11	Copper
BK-3000	205	240	240	170	140±0.5	8×11	Aluminum
BK-4000	205	250	240	170	150±0.5	8×11	Copper
BK-4000	235	270	265	190	145±0.5	8×11	Aluminum
BK-5000	235	270	265	190	145±0.5	8×11	Copper
BK-5000	235	280	265	190	160±0.5	8×11	Aluminum

JBK Machine Tool Control Transformer

Sphere of application

JBK series machine tool control transformer for AC 50~60 Hz, input voltage less than 660V circuit, is used as the control power supply in all kinds of machine tools, machinery and equipment, local lighting and light power.

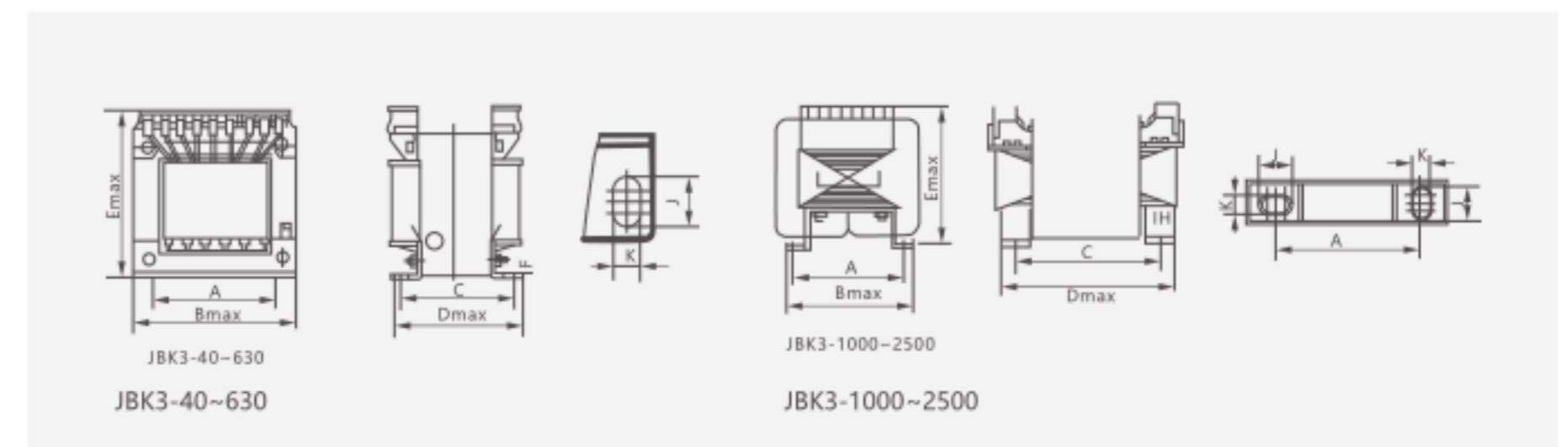
With imported materials and advanced technology of manufacturing, this series of transformers can be a replacement of other controller for a working, reliable, low power consumption, small size, wiring safety, wide applicability and so on.



Type designation



Item Dimension Model	Mounting dimension		Shape dimension			Install bore dimension
	A	C	Bmax	Dmax	Emax	K×J
JBK1、2、3、4-40	56±0.5	51±2	78	70	86	4.8×9
JBK1、2、3、4-63	56±0.5	51±2	78	70	86	4.8×9
JBK1、2、3、4-100	64±0.5	67±2	85	85	93	4.8×9
JBK1、2、3、4-160	84±0.5	72±2	96	90	103	5.8×11
JBK1、2、3、4-250	84±0.5	86±2	96	105	103	5.8×11
JBK1、2、3、4-400	90±0.5	90±2	120	113	123	7×13
JBK1、2、3、4-630	122±0.5	86±2	150	118	145	7×13
JBK1、2、3、4-800	122±0.5	100±2	150	128	145	7×13
JBK1、2、3、4-1000	127±0.5	152±2	155	205	145	7×12卧式
JBK1、2、3、4-1600	140±0.5	176±2	180	230	160	7×12卧式
JBK1、2、3、4-2500	173±0.5	200±2	205	260	175	7×12卧式



JBK5 Machine Tool Control Transformer



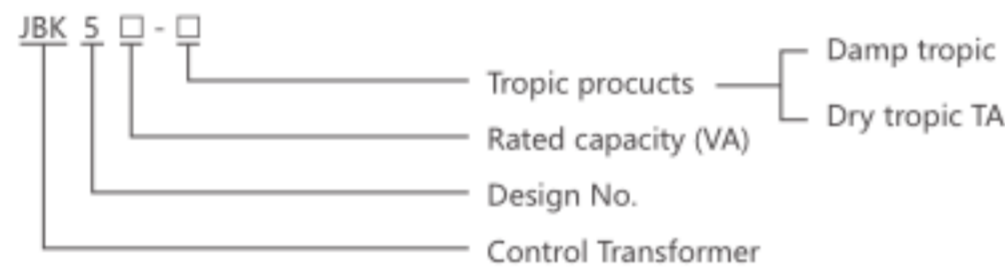
Sphere of application

JBK5 series machine tool control transformer is the latest Transformers series that is introduced from a German company. Based on the domestic JBK3 series machine tool control transformers, JBK5 series absorb similar foreign products, advanced methods of terminal structure to connect terminal with the skeleton, improve protection rating and prevent accidental touching circuit. JBK5 series uses domestic IT cold terminal blocks to increase wiring connection intensity.

For transformer 800VA and below, 1000VA, 1600VA, the connections of vertical structure between the silicon steel and silicon steel, between silicon steel and plates both adopt the bottom gas-shielded arc welding to form a whole. It is clear and simple, especially the bottom one-time molding. The installation dimensions is more accurate than the JBK3 series, and the use of high-quality anti-corrosion alloy greatly improves the reliability of grounding performance and product quality. The products comply with VDE0550, IEC204 1, IEC439, JB/T5555,GB5226 and other relevant international, national standards, and won the European Community "CE" certification, It can be used interchangeably with foreign products.

JBK5 series machine tool control transformer for AC 50~60Hz, input voltage less than 500V, the output rated voltage not exceeding 220V, is used in the industries of mechanical equipment, general electrical control power and work lights power use.

Type designation

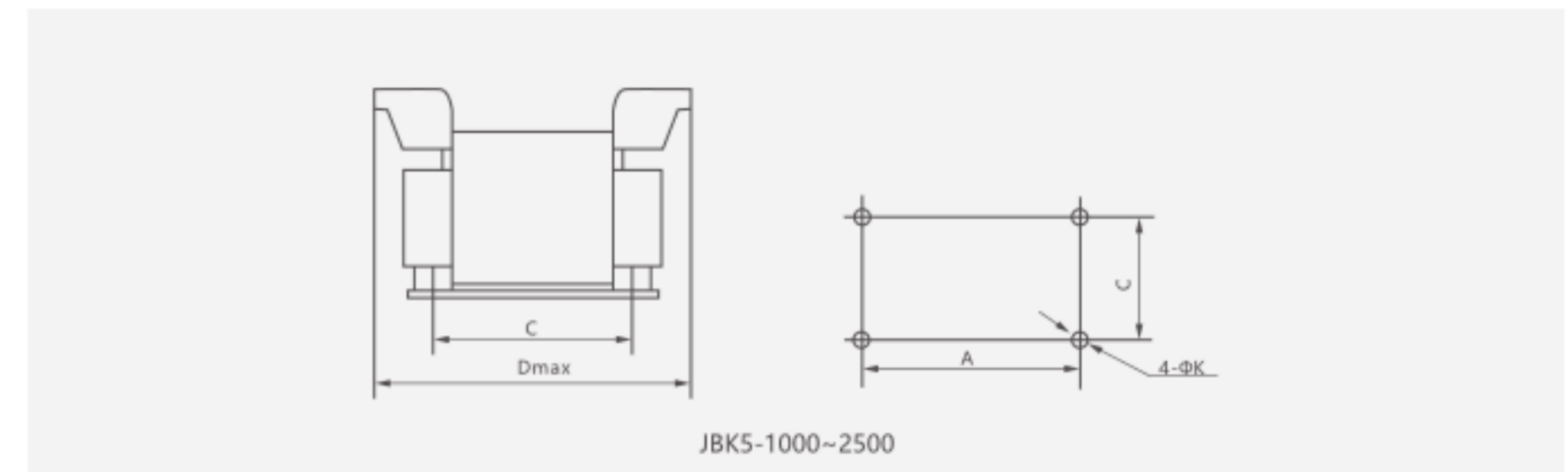
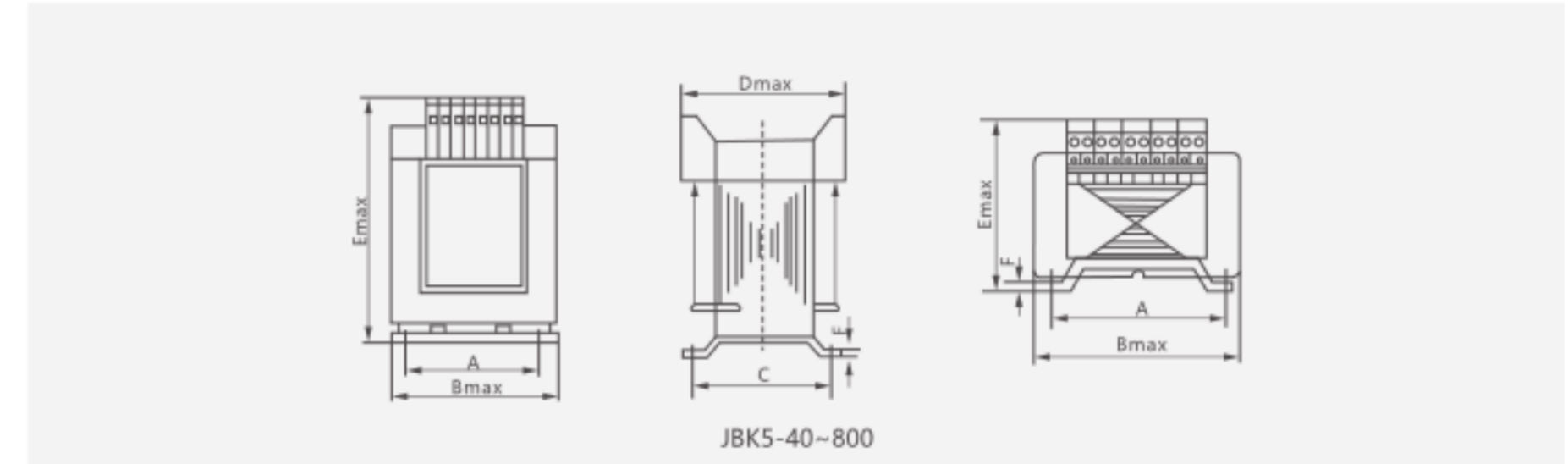


Technical parameters

Model	Capacity (VA)	Power (%)	Output voltage under loading		Rated input voltage(V)	Rated output voltage(V)		
			signal winding	control winding			signal winding	control winding
JBK5-40	40	80	6 ≥ U _m > 5 12 ≥ U _m > 10	95%~105% UH	6 or 12	1.1Um	AC380 ±5%	AC220 (127) 110 48 36 24 12 6
JBK5-60	63	80						
JBK5-100	100	80						
JBK5-160	160	85						
JBK5-250	250	85						
JBK5-400	400	85						
JBK5-630	630	85						
JBK5-800	800	90						
JBK5-1000	1000	90						
JBK5-1600	1600	90						
JBK5-2500	2500	90	6 ≥ U _m > 5					

JBK5 Machine Tool Control Transformer

Shape and mounting dimension



Model	Mounting dimension		Shape dimension				Installing hole
	A	C	Bmax	Dmax	Emax	Fmax	K
JBK5-40	56±0.5	46±0.5	78	74	86	1.2	4.6
JBK5-63	56±0.5	46±0.5	78	74	86	1.2	4.6
JBK5-100	64±0.5	62±0.5	85	77	93	1.5	5.5
JBK5-160	84±0.5	73.5±0.5	96	94	103	1.5	5.8
JBK5-250	84±0.5	85±0.5	96	102	103	1.5	5.8
JBK5-400	90±0.5	85±0.5	120	102	123	2	5.8
JBK5-630	122±0.5	90±0.5	150	112	145	2	7
JBK5-800	122±0.5	105±0.5	150	132	145	2	7
JBK5-1000	127.5±0.5	152±0.2	155	207	145	3	7
JBK5-1600	140±0.5	176±0.2	180	232	160	3	7
JBK5-2500	173±0.5	200±0.23	205	262	175	4	7

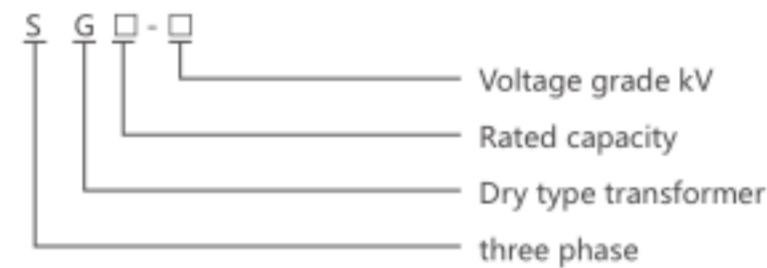
SG Three-phase dry-type (rectifier) transformers



Sphere of application

SG series three-coherent-type transformers are widely used in AC 50~60Hz, input, output voltage not exceeding 500V three phase power supply in a variety of occasions. For a variety of input and output voltage level, Join groups, regulating the number and location of laps (typically $\pm 5\%$), winding capacity allocation, single-phase secondary winding is equipped with, the use of rectifier circuits, take shell or not, etc. According to the user's demands, product can be meticulous designed and produced.

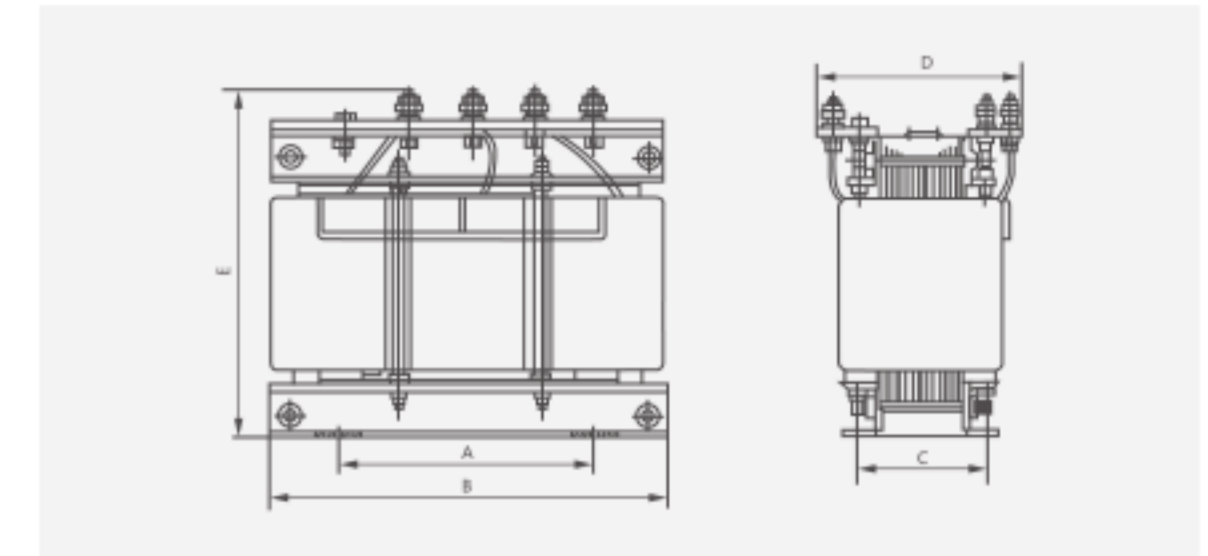
Type designation



Shape and mounting dimension

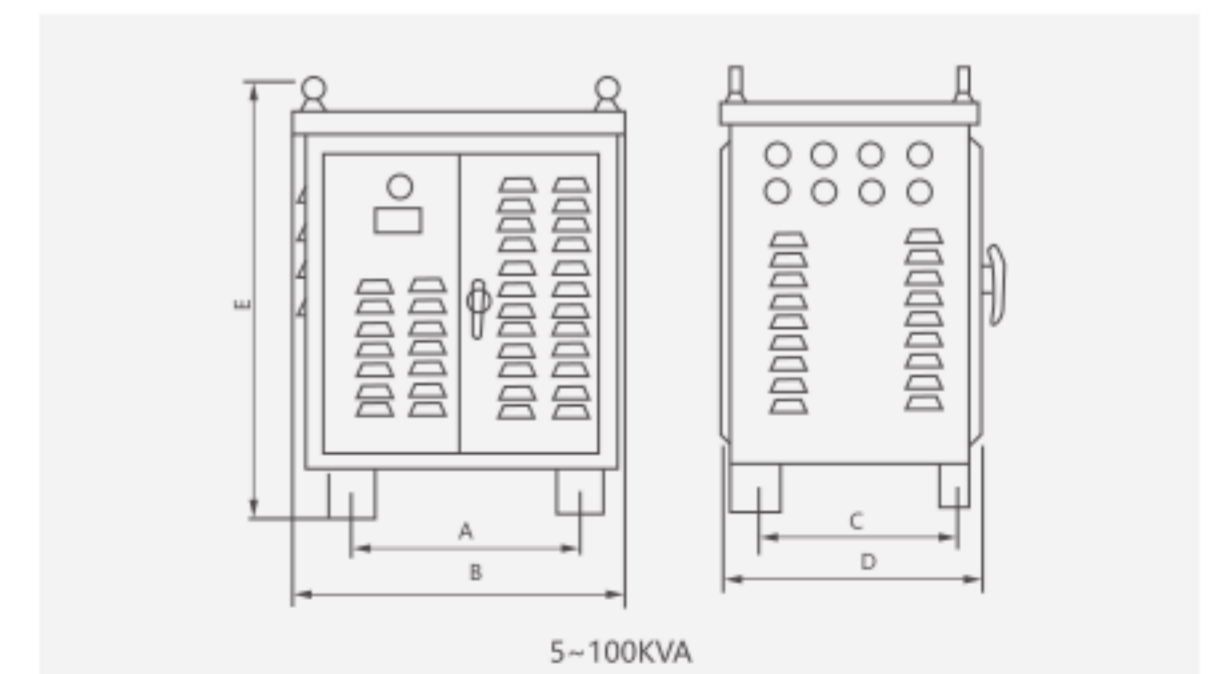
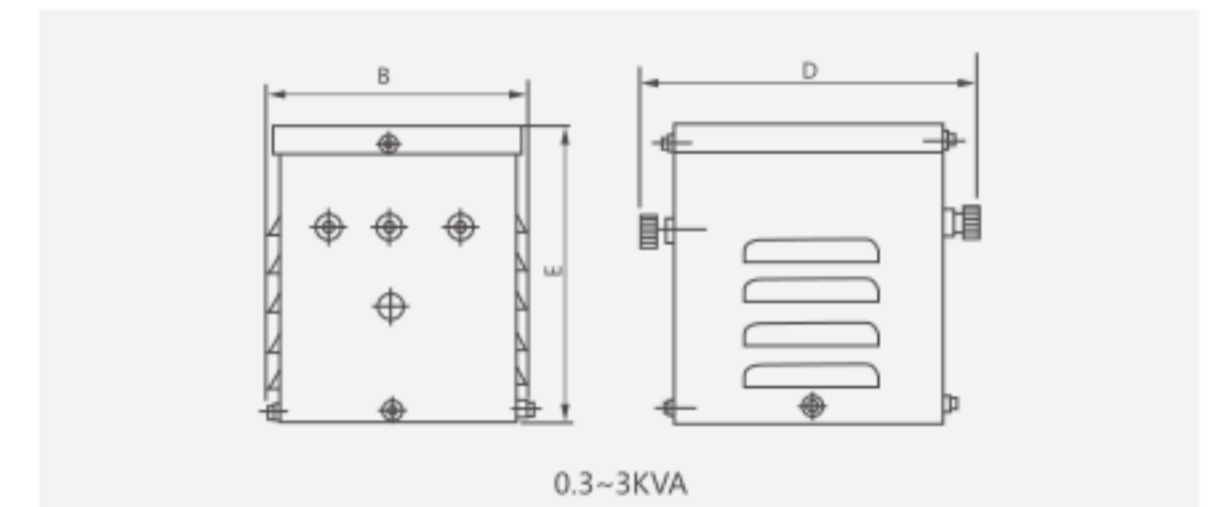
Model	Capacity (KVA)	Voltage		Coupling group tab	Shape dimension						Mounting dimension				K×J			
		Input	Output		Unlock type			Defend type			Unlock type		Defend type					
					Bmax	Dmax	Emax	Bmax	Dmax	Emax	A±5	C±5	A±5	C±5				
SG-0.15	0.15				120	88	150	260	180	200	90	49						
SG-0.3	0.3				150	98	175	260	180	200	113	62						8×16
SG-0.5	0.5				180	108	200	260	200	260	136	68						
SG-0.75	0.75				180	118	200	260	250	260	136	78						
SG-1	1				180	130	200	315	250	260	176	103						
SG-1.5	1.5				228	136	240	355	290	280	176	115						
SG-2	2				228	146	240	355	290	300	224	115						
SG-2.5	2.5				264	154	270	370	290	280	221	121						10×20
SG-3	3	660	380	Y/yno(Y/Yo)	264	161	270	370	290	300	224	128	420	220				
SG-4	4	400	220	Y/d(Y/△)	264	168	270	510	400	550	224	131						
SG-5	5	380	110	D/y(△/y)	300	180	300	510	400	550	224	143	470	230				
SG-10	10	200	36	D/d(△/△)	360	204	360	560	450	600	316	171	580	240				
SG-15	15				360	219	360	560	450	600	316	186	580	300				
SG-20	20				420	214	420	560	450	600	356	175						
SG-30	30				480	274	450	650	520	720	356	235						
SG-40	40				540	294	500	650	520	720	356	255	870	350				Φ12
SG-50	50				600	350	560	720	600	810	450	235						
SG-60	60				600	450	560	720	600	810	450	255						
SG-80	80				800	450	660	1000	810	960	550	255						
SG-100	100				860	520	760	1000	810	960	550	255						

SG Three-phase dry-type (rectifier) transformers



Note

1. The spec did not note the size to be determined according to user requirements, listed in the dimensions for reference: Output current is greater than the product 300A as a special custom-made product quality, product size would be changed.
2. Listed in the table rated input and output voltage can be any combination as needed.
3. The voltage listed in the table and size can be determined through consultation according to user requirements.



MSF-10W, MSF-20W Power Supply



MSF-10W

Single output ultrathin power supply

Summary

single output: power 10W

Input voltage: 85~264VAC 120~370VDC

General Specification

78×48×21mm

Specification	Model	MSF-10-5	MSF-10-12	MSF-10-15	MSF-10-24
DC output voltage, current		5V 0~2A	12V 0~1A	15V 0~0.8A	24V 0~0.5A
Wave and noise		50mVp-p	50mVp-p	50mVp-p	50mVp-p
Inlet wire stability		±0.5%	±0.5%	±0.5%	±0.5%
Load stability		±1%	±0.5%	±0.5%	±0.5%
Efficiency		68%	71%	72%	75%
Adjustable range for DC voltage		±10%	±10%	±10%	±10%
Input voltage range		85~264VAC 120~370VDC 47~63Hz			
Impact current		Cold start current 30A/230VAC			
Overload protection		105%~135% cut off the output, automatic recovery			
Over voltage protection					
Setup, rise, hold up time		200ms, 50ms, 20ms/230VAC at full load			
Withstand voltage		I/P-O/P: 1.5kV I/P-FG: 1.5kV O/P-FG: 0.5kV 1minute			
Isolation resistance		I/P-O/P I/P-FG O/P-F/G: 500VDC/100MΩ			
Working temperature		-10°C~+50°C			
Dimension		78×48×21mm			

Single output ultrathin power supply

Summary

single output: power 20W

Input voltage: 85~264VAC 120~370VDC

General Specification

97×58×25mm

Specification	Model	MSF-20-5	MSF-20-12	MSF-20-15	MSF-20-24
DC output voltage, current		5V 0~4A	12V 0~2A	15V 0~1.6A	24V 0~1A
Wave and noise		50mVp-p	50mVp-p	50mVp-p	50mVp-p
Inlet wire stability		±0.5%	±0.5%	±0.5%	±0.5%
Load stability		±1%	±0.5%	±0.5%	±0.5%
Efficiency		68%	71%	72%	75%
Adjustable range for DC voltage		±10%	±10%	±10%	±10%
Input voltage range		85~264VAC 120~370VDC 47~63Hz			
Impact current		Cold start current 30A/230VAC			
Overload protection		105%~135% cut off the output, automatic recovery			
Over voltage protection					
Setup, rise, hold up time		200ms, 50ms, 20ms/230VAC at full load			
Withstand voltage		I/P-O/P: 1.5kV I/P-FG: 1.5kV O/P-FG: 0.5kV 1minute			
Isolation resistance		I/P-O/P I/P-FG O/P-F/G: 500VDC/100MΩ			
Working temperature		-10°C~+50°C			
Dimension		97×58×25mm			



MSF-20W

MS-15W, S-15W Power Supply



MS-15W

Single output mini-size power supply

Summary

single output: power 15W

Input voltage: 85~264VAC 120~370VDC

General Specification

84×58×38mm

Specification	Model	MS-15-5	MS-15-12	MS-15-15	MS-15-24
DC output voltage, current		5V 0~3A	12V 0~1.3A	15V 0~1A	24V 0~0.7A
Wave and noise		60mVp-p	80mVp-p	100mVp-p	100mVp-p
Inlet wire stability		±0.5%	±0.5%	±0.5%	±0.5%
Load stability		±0.5%	±0.5%	±0.5%	±0.5%
Efficiency		68%	71%	72%	75%
Adjustable range for DC voltage		±10%	±10%	±10%	±10%
Input voltage range		85~264VAC 120~370VDC 47~63Hz			
Impact current		Cold start current 30A/230VAC			
Overload protection		105%~135% cut off the output, automatic recovery			
Over voltage protection					
Setup, rise, hold up time		200ms, 50ms, 20ms/230VAC at full load			
Withstand voltage		I/P-O/P: 1.5kV I/P-FG: 1.5kV O/P-FG: 0.5kV 1minute			
Isolation resistance		I/P-O/P I/P-FG O/P-F/G: 500VDC/100MΩ			
Working temperature		-10°C~+50°C			
Dimension		84×58×38mm			

Single output power supply

Summary

single output: power 15W

Input voltage: 90~132VAC/180~264VAC by switch

General Specification

98×97×35mm

Specification	Model	S-15-5	S-15-12	S-15-15	S-15-24
DC output voltage, current		5V 0~3A	12V 0~1.3A	15V 0~1A	24V 0~0.7A
Wave and noise		60mVp-p	80mVp-p	100mVp-p	100mVp-p
Inlet wire stability		±0.5%	±0.5%	±0.5%	±0.5%
Load stability		±0.5%	±0.5%	±0.5%	±0.5%
Efficiency		68%	71%	72%	75%
Adjustable range for DC voltage		±10%	±10%	±10%	±10%
Input voltage range		90~132VAC/180~264VAC by switch 254~370VDC 47~63Hz			
Impact current		Cold start current 30A/230VAC			
Overload protection		105%~135% cut off the output, automatic recovery			
Over voltage protection					
Setup, rise, hold up time		200ms, 50ms, 20ms/230VAC at full load			
Withstand voltage		I/P-O/P: 1.5kV I/P-FG: 1.5kV O/P-FG: 0.5kV 1minute			
Isolation resistance		I/P-O/P I/P-FG O/P-F/G: 500VDC/100MΩ			
Working temperature		-10°C~+50°C			
Dimension		98×97×35mm			



S-15W

MS-25W, S-25W Power Supply



MS-25W

Single output mini-size power supply

Summary

single output: power 25W

Input voltage: 85~264VAC 120~370VDC

General Specification

84×58×38mm

Specification	Model	MS-25-5	MS-25-12	MS-25-15	MS-25-24
DC output voltage, current		5V 0~5A	12V 0~1.3A	15V 0~1A	24V 0~0.7A
Wave and noise		60mVp-p	80mVp-p	100mVp-p	100mVp-p
Inlet wire stability		±0.5%	±0.5%	±0.5%	±0.5%
Load stability		±0.5%	±0.5%	±0.5%	±0.5%
Efficiency		70%	75%	76%	78%
Adjustable range for DC voltage		±10%	±10%	±10%	±10%
Input voltage range		85~264VAC 120~370VDC 47~63Hz			
Impact current		Cold start current 30A/230VAC			
Overload protection		105%~135% cut off the output, automatic recovery			
Over voltage protection					
Setup, rise, hold up time		200ms, 50ms, 20ms/230VAC at full load			
Withstand voltage		I/P-O/P: 1.5kV I/P-FG: 1.5kV O/P-FG: 0.5kV 1minute			
Isolation resistance		I/P-O/P I/P-FG O/P-F/G: 500VDC/100MΩ			
Working temperature		-10°C~+50°C			
Dimension		84×58×38mm			

Single output power supply

Summary

single output: power 25W

Input voltage: 90~132VAC/180~264VAC by switch

General Specification

98×97×35mm

Specification	Model	S-25-5	S-25-12	S-25-15	S-25-24
DC output voltage, current		5V 0~3A	12V 0~1.3A	15V 0~1A	24V 0~0.7A
Wave and noise		60mVp-p	80mVp-p	100mVp-p	100mVp-p
Inlet wire stability		±0.5%	±0.5%	±0.5%	±0.5%
Load stability		±0.5%	±0.5%	±0.5%	±0.5%
Efficiency		68%	71%	72%	75%
Adjustable range for DC voltage		±10%	±10%	±10%	±10%
Input voltage range		90~132VAC/180~264VAC by switch 254~370VDC 47~63Hz			
Impact current		Cold start current 30A/230VAC			
Overload protection		105%~150% cut off the output, automatic recovery			
Over voltage protection					
Setup, rise, hold up time		200ms, 50ms, 20ms/230VAC at full load			
Withstand voltage		I/P-O/P: 1.5kV I/P-FG: 1.5kV O/P-FG: 0.5kV 1minute			
Isolation resistance		I/P-O/P I/P-FG O/P-F/G: 500VDC/100MΩ			
Working temperature		-10°C~+50°C			
Dimension		98×97×35mm			



S-25W

MS-35W, S-35W Power Supply



MS-35W

Single output mini-size power supply

Summary

single output: power 35W

Input voltage: 180~264VAC 120~370VDC

General Specification

84×58×38mm

Specification	Model	MS-35-5	MS-35-12	MS-35-15	MS-35-24
DC output voltage, current		5V 0~6A	12V 0~3A	15V 0~2.4A	24V 0~1.5A
Wave and noise		60mVp-p	80mVp-p	100mVp-p	100mVp-p
Inlet wire stability		±1%	±0.5%	±0.5%	±0.5%
Load stability		±1%	±0.5%	±0.5%	±0.5%
Efficiency		77%	81%	83%	84%
Adjustable range for DC voltage		±10%	±10%	±10%	±10%
Input voltage range		85~264VAC 120~370VDC 47~63Hz			
Impact current		Cold start current 30A/230VAC			
Overload protection		105%~150% cut off the output, automatic recovery			
Over voltage protection		115%~135% shut down O/P voltage, re-Power on to recover			
Setup, rise, hold up time		300ms, 50ms, 80ms/230VAC at full load			
Withstand voltage		I/P-O/P: 1.5kV I/P-FG: 1.5kV O/P-FG: 0.5kV 1minute			
Isolation resistance		I/P-O/P I/P-FG O/P-F/G: 500VDC/100MΩ			
Working temperature		-10°C~+50°C			
Dimension		84×58×38mm			

Single output power supply

Summary

single output: power 35W

Input voltage: 90~132VAC/180~264VAC by switch

General Specification

129×98×38mm

Specification	Model	S-35-5	S-35-12	S-35-15	S-35-24
DC output voltage, current		5V 0~7A	12V 0~3A	15V 0~2.4A	24V 0~1.5A
Wave and noise		70mVp-p	100mVp-p	100mVp-p	100mVp-p
Inlet wire stability		±0.5%	±0.5%	±0.5%	±0.5%
Load stability		±1%	±0.5%	±0.5%	±0.5%
Efficiency		70%	76%	78%	78%
Adjustable range for DC voltage		±10%	±10%	±10%	±10%
Input voltage range		90~132VAC/180~264VAC by switch 254~370VDC 47~63Hz			
Impact current		Cold start current 30A/230VAC			
Overload protection		105%~150% cut off the output, automatic recovery			
Over voltage protection					
Setup, rise, hold up time		200ms, 100ms, 30ms/230VAC at full load			
Withstand voltage		I/P-O/P: 1.5kV I/P-FG: 1.5kV O/P-FG: 0.5kV 1minute			
Isolation resistance		I/P-O/P I/P-FG O/P-F/G: 500VDC/100MΩ			
Working temperature		-10°C~+50°C			
Dimension		129×98×38mm			



S-35W

MS-50W, S-50W Power Supply



MS-50W

Single output mini-size power supply

Summary

single output: power 50W

Input voltage: 85~264VAC 120~370VDC

General Specification

111×78×36mm

Specification	Model	MS-50-5	MS-50-12	MS-50-15	MS-50-24
DC output voltage, current		5V 0~10A	12V 0~4.2A	15V 0~3.4A	24V 0~2.1A
Wave and noise		75mVp-p	100mVp-p	100mVp-p	100mVp-p
Inlet wire stability		±0.5%	±0.5%	±0.5%	±0.5%
Load stability		±1%	±0.5%	±0.5%	±0.5%
Efficiency		80%	82%	82%	84%
Adjustable range for DC voltage		±10%	±10%	±10%	±10%
Input voltage range		85~264VAC 120~370VDC 47~63Hz			
Impact current		Cold start current 18A/115VAC 36A/230VAC			
Overload protection		105%~150% cut off the output, automatic recovery			
Over voltage protection		115%~135% shut down O/P voltage, re-Power on to recover			
Setup, rise, hold up time		300ms, 50ms, 60ms/230VAC at full load			
Withstand voltage		I/P-O/P: 1.5kV I/P-FG: 1.5kV O/P-FG: 0.5kV 1minute			
Isolation resistance		I/P-O/P I/P-FG O/P-F/G: 500VDC/100MΩ			
Working temperature		-10°C~+50°C			
Dimension		111×78×36mm			

Single output power supply

Summary

single output: power 50W

Input voltage: 90~132VAC/180~264VAC by switch

General Specification

159×98×38mm

Specification	Model	S-50-5	S-50-12	S-50-15	S-50-24
DC output voltage, current		5V 0~10A	12V 0~4.2A	15V 0~3.4A	24V 0~2.1A
Wave and noise		75mVp-p	100mVp-p	100mVp-p	100mVp-p
Inlet wire stability		±0.5%	±0.5%	±0.5%	±0.5%
Load stability		±1%	±0.5%	±0.5%	±0.5%
Efficiency		71%	78%	78%	82%
Adjustable range for DC voltage		±10%	±10%	±10%	±10%
Input voltage range		90~132VAC/180~264VAC by switch 254~370VDC 47~63Hz			
Impact current		Cold start current 30A/230VAC			
Overload protection		105%~150% cut off the output, automatic recovery			
Over voltage protection					
Setup, rise, hold up time		200ms, 100ms, 20ms/230VAC at full load			
Withstand voltage		I/P-O/P: 1.5kV I/P-FG: 1.5kV O/P-FG: 0.5kV 1minute			
Isolation resistance		I/P-O/P I/P-FG O/P-F/G: 500VDC/100MΩ			
Working temperature		-10°C~+50°C			
Dimension		159×98×38mm			



S-50W

MS-60W, S-60W Power Supply



MS-60W

Single output mini-size power supply

Summary

single output: power 60W

Input voltage: 85~264VAC 120~370VDC

General Specification

111×78×36mm

Specification	Model	MS-60-5	MS-60-12	MS-60-15	MS-60-24
DC output voltage, current		5V 0~12A	12V 0~5A	15V 0~4A	24V 0~2.5A
Wave and noise		75mVp-p	100mVp-p	100mVp-p	100mVp-p
Inlet wire stability		±0.5%	±0.5%	±0.5%	±0.5%
Load stability		±1%	±0.5%	±0.5%	±0.5%
Efficiency		80%	82%	82%	84%
Adjustable range for DC voltage		±10%	±10%	±10%	±10%
Input voltage range		85~264VAC 120~370VDC 47~63Hz			
Impact current		Cold start current 15A/115VAC 30A/230VAC			
Overload protection		105%~150% cut off the output, automatic recovery			
Over voltage protection					
Setup, rise, hold up time		200ms, 100ms, 20ms/230VAC at full load			
Withstand voltage		I/P-O/P: 1.5kV I/P-FG: 1.5kV O/P-FG: 0.5kV 1minute			
Isolation resistance		I/P-O/P I/P-FG O/P-F/G: 500VDC/100MΩ			
Working temperature		-10°C~+50°C			
Dimension		111×78×36mm			

Single output power supply

Summary

single output: power 60W

Input voltage: 90~132VAC/180~264VAC by switch

General Specification

159×98×38mm

Specification	Model	S-60-5	S-60-12	S-60-15	S-60-24
DC output voltage, current		5V 0~12A	12V 0~5A	15V 0~4A	24V 0~2.5A
Wave and noise		75mVp-p	100mVp-p	100mVp-p	100mVp-p
Inlet wire stability		±0.5%	±0.5%	±0.5%	±0.5%
Load stability		±1%	±0.5%	±0.5%	±0.5%
Efficiency		72%	78%	79%	82%
Adjustable range for DC voltage		±10%	±10%	±10%	±10%
Input voltage range		90~132VAC/180~264VAC by switch 254~370VDC 47~63Hz			
Impact current		Cold start current 15A/115VAC 30A/230VAC			
Overload protection		105%~150% cut off the output, automatic recovery			
Over voltage protection					
Setup, rise, hold up time		200ms, 100ms, 20ms/230VAC at full load			
Withstand voltage		I/P-O/P: 1.5kV I/P-FG: 1.5kV O/P-FG: 0.5kV 1minute			
Isolation resistance		I/P-O/P I/P-FG O/P-F/G: 500VDC/100MΩ			
Working temperature		-10°C~+50°C			
Dimension		159×98×38mm			



S-60W

S-75W, MS-100W Power Supply



S-75W

Single output power supply

Summary

single output: power 75W

Input voltage: 90~132VAC/180~264VAC by switch

General Specification

159×98×38mm

Specification	Model	S-75-15	S-75-24
DC output voltage, current		15V 0~5A	24V 0~3.2A
Wave and noise		100mVp-p	120mVp-p
Inlet wire stability		±0.5%	±0.5%
Load stability		±0.5%	±0.5%
Efficiency		79%	82%
Adjustable range for DC voltage		±10%	±10%
Input voltage range		90~132VAC/180~264VAC by switch 254~370VDC 47~63Hz	
Impact current		Cold start current 15A/115VAC 30A/230VAC	
Overload protection		105%~150% cut off the output, automatic recovery	
Over voltage protection			
Setup, rise, hold up time		200ms, 50ms, 20ms/230VAC at full load	
Withstand voltage		I/P-O/P: 1.5kV I/P-FG: 1.5kV O/P-FG: 0.5kV 1minute	
Isolation resistance		I/P-O/P I/P-FG O/P-F/G: 500VDC/100MΩ	
Working temperature		-10°C~+50°C	
Dimension		159×98×38mm	

Single output mini-size power supply

Summary

single output: power 100W

Input voltage: 90~132VAC/180~264VAC by switch



MS-100W

General Specification

159×98×38mm

Specification	Model	MS-100-5	MS-100-12	MS-100-15	MS-100-24
DC output voltage, current		5V 0~20A	12V 0~8.5A	15V 0~7A	24V 0~4.5A
Wave and noise		100mVp-p	120mVp-p	120mVp-p	150mVp-p
Inlet wire stability		±0.5%	±0.5%	±0.5%	±0.5%
Load stability		±0.5%	±0.5%	±0.5%	±0.5%
Efficiency		80%	83%	84%	86%
Adjustable range for DC voltage		±10%	±10%	±10%	±10%
Input voltage range		90~132VAC/180~264VAC by switch 254~370VDC 47~63Hz			
Impact current		Cold start current 15A/115VAC 30A/230VAC			
Overload protection		105%~150% cut off the output, automatic recovery			
Over voltage protection		115%~135% shut down O/P voltage, re-Power on to recover			
Setup, rise, hold up time		200ms, 50ms, 20ms/230VAC at full load			
Withstand voltage		I/P-O/P: 1.5kV I/P-FG: 1.5kV O/P-FG: 0.5kV 1minute			
Isolation resistance		I/P-O/P I/P-FG O/P-F/G: 500VDC/100MΩ			
Working temperature		-10°C~+50°C			
Dimension		159×98×38mm			

S-100W, S-120W Power Supply



S-100W

Single output power supply

Summary

single output: power 100W

Input voltage: 90~132VAC/180~264VAC by switch

General Specification

199×98×38mm

Specification	Model	S-100-5	S-100-12	S-100-18	S-100-24	S-100-36	S-100-48
DC output voltage, current		5V 0~20A	12V 0~8.5A	18V 0~5.5A	24V 0~4.5A	36V 0~3A	48V 0~2A
Wave and noise		75mVp-p	100mVp-p	100mVp-p	100mVp-p	100mVp-p	100mVp-p
Inlet wire stability		±0.5%	±0.3%	±0.2%	±0.2%	±0.2%	±0.2%
Load stability		±0.5%	±0.3%	±0.2%	±0.2%	±0.2%	±0.2%
Efficiency		78%	81%	84%	84%	84%	84%
Adjustable range for DC voltage		±10%	±10%	±10%	±10%	±10%	±10%
Input voltage range		90~132VAC/180~264VAC by switch 254~370VDC 47~63Hz					
Impact current		Cold start current 30A/115VAC 60A/230VAC					
Overload protection		105%~150% cut off the output, automatic recovery					
Over voltage protection							
Setup, rise, hold up time		200ms, 50ms, 20ms/230VAC at full load					
Withstand voltage		I/P-O/P: 1.5kV I/P-FG: 1.5kV O/P-FG: 0.5kV 1minute					
Isolation resistance		I/P-O/P I/P-FG O/P-F/G: 500VDC/100MΩ					
Working temperature		-10°C~+50°C					
Dimension		199×98×38mm					

Single output power supply

Summary

single output: power 120W

Input voltage: 90~132VAC/180~264VAC by switch



S-120W

General Specification

199×98×38mm

Specification	Model	S-120-12	S-120-15	S-120-18	S-120-24	S-120-36	S-120-48
DC output voltage, current		12V 0~10A	15V 0~8A	18V 0~6.7A	24V 0~5A	36V 0~3.3A	48V 0~2.1A
Wave and noise		100mVp-p	100mVp-p	100mVp-p	100mVp-p	100mVp-p	100mVp-p
Inlet wire stability		±0.3%	±0.3%	±0.2%	±0.2%	±0.2%	±0.2%
Load stability		±0.3%	±0.3%	±0.2%	±0.2%	±0.2%	±0.2%
Efficiency		81%	82%	84%	84%	84%	84%
Adjustable range for DC voltage		±10%	±10%	±10%	±10%	±10%	±10%
Input voltage range		90~132VAC/180~264VAC by switch 254~370VDC 47~63Hz					
Impact current		Cold start current 30A/115VAC 60A/230VAC					
Overload protection		105%~150% cut off the output, automatic recovery					
Over voltage protection		115%~135% shut down O/P voltage, re-power on to recover					
Setup, rise, hold up time		200ms, 50ms, 20ms/230VAC at full load					
Withstand voltage		I/P-O/P: 1.5kV I/P-FG: 1.5kV O/P-FG: 0.5kV 1minute					
Isolation resistance		I/P-O/P I/P-FG O/P-F/G: 500VDC/100MΩ					
Working temperature		-10°C~+50°C					
Dimension		199×98×38mm					

S-145W, MS-150W Power Supply

Single output power supply

Summary

single output: power 145W

Input voltage: 90~132VAC/180~264VAC by switch



S-145W

General Specification

199×98×38mm

Specification	Model	S-145-5	S-145-12	S-145-18	S-145-24	S-145-36	S-145-48
DC output voltage, current		5V 0~25A	12V 0~12A	18V 0~8A	24V 0~6A	36V 0~4A	48V 0~3A
Wave and noise		100mVp-p	100mVp-p	100mVp-p	100mVp-p	100mVp-p	100mVp-p
Inlet wire stability		±0.5%	±0.3%	±0.3%	±0.2%	±0.2%	±0.2%
Load stability		±0.5%	±0.3%	±0.3%	±0.2%	±0.2%	±0.2%
Efficiency		70%	80.5%	80.5%	83.5%	83.5%	83.5%
Adjustable range for DC voltage		±10%	±10%	±10%	±10%	±10%	±10%
Input voltage range		90~132VAC/180~264VAC by switch 254~370VDC 47~63Hz					
Impact current		Cold start current 35A/115VAC 60A/230VAC					
Overload protection		105%~150% cut off the output, automatic recovery					
Over voltage protection		115%~150% shut down O/P voltage, re-power on to recover					
Setup, rise, hold up time		100ms, 50ms, 20ms/230VAC at full load					
Withstand voltage		I/P-O/P: 1.5kV I/P-FG: 1.5kV O/P-FG: 0.5kV 1minute					
Isolation resistance		I/P-O/P I/P-FG O/P-F/G: 500VDC/100MΩ					
Working temperature		-10°C~+50°C					
Dimension		199×98×38mm					

Single output mini-size power supply

Summary

single output: power 150W

Input voltage: 90~132VAC/180~264VAC by switch



MS-150W

General Specification

159×98×38mm

Specification	Model	MS-150-12	MS-150-15	MS-150-24	MS-150-36	MS-150-48
DC output voltage, current		12V 0~12.5A	15V 0~10A	24V 0~6.5A	36V 0~4.2A	48V 0~3.1A
Wave and noise		100mVp-p	100mVp-p	100mVp-p	100mVp-p	100mVp-p
Inlet wire stability		±0.5%	±0.5%	±0.5%	±0.5%	±0.5%
Load stability		±0.5%	±0.5%	±0.5%	±0.5%	±0.5%
Efficiency		83%	84%	86%	86%	86%
Adjustable range for DC voltage		±10%	±10%	±10%	±10%	±10%
Input voltage range		90~132VAC/180~264VAC by switch 254~370VDC 47~63Hz				
Impact current		Cold start current 15A/115VAC 30A/230VAC				
Overload protection		105%~150% cut off the output, automatic recovery				
Over voltage protection						
Setup, rise, hold up time		200ms, 50ms, 20ms/230VAC at full load				
Withstand voltage		I/P-O/P: 1.5kV I/P-FG: 1.5kV O/P-FG: 0.5kV 1minute				
Isolation resistance		I/P-O/P I/P-FG O/P-F/G: 500VDC/100MΩ				
Working temperature		-10°C~+50°C				
Dimension		159×98×38mm				

S-150W, S-200W Power Supply

Single output power supply

Summary

single output: power 150W

Input voltage: 90~132VAC/180~264VAC by switch



S-150W

General Specification

199×110×50mm

Specification	Model	S-150-5	S-150-12	S-150-15	S-150-24	S-150-36	S-150-48
DC output voltage, current		5V 0~30A	12V 0~12.5A	15V 0~10A	24V 0~6.5A	36V 0~4.1A	48V 0~3.1A
Wave and noise		150mVp-p	180mVp-p	180mVp-p	240mVp-p	240mVp-p	240mVp-p
Inlet wire stability		±0.5%	±0.3%	±0.3%	±0.2%	±0.2%	±0.2%
Load stability		±0.8%	±0.3%	±0.3%	±0.2%	±0.2%	±0.2%
Efficiency		78%	82%	84%	85%	86%	87%
Adjustable range for DC voltage		±10%	±10%	±10%	±10%	±10%	±10%
Input voltage range		90~132VAC/180~264VAC by switch 254~370VDC 47~63Hz					
Impact current		Cold start current 35A/115VAC 60A/230VAC					
Overload protection		105%~150% cut off the output, automatic recovery					
Over voltage protection		115%~135% shut down O/P voltage, re-power on to recover					
Setup, rise, hold up time		100ms, 50ms, 20ms/230VAC at full load					
Withstand voltage		I/P-O/P: 1.5kV I/P-FG: 1.5kV O/P-FG: 0.5kV 1minute					
Isolation resistance		I/P-O/P I/P-FG O/P-F/G: 500VDC/100MΩ					
Working temperature		-10°C~+50°C					
Dimension		199×110×50mm					

Single output power supply

Summary

single output: power 200W

Input voltage: 180~264VAC by switch



S-200W

General Specification

199×110×50mm

Specification	Model	S-200-5	S-200-12	S-200-15	S-200-24	S-200-36	S-200-48
DC output voltage, current		5V 0~40A	12V 0~16A	15V 0~13A	24V 0~8.5A	36V 0~5.5A	48V 0~4.2A
Wave and noise		150mVp-p	180mVp-p	180mVp-p	240mVp-p	240mVp-p	240mVp-p
Inlet wire stability		±0.5%	±0.5%	±0.5%	±0.5%	±0.5%	±0.5%
Load stability		±1%	±0.5%	±0.5%	±0.5%	±0.5%	±0.5%
Efficiency		79%	82%	83%	83%	86%	86%
Adjustable range for DC voltage		±10%	±10%	±10%	±10%	±10%	±10%
Input voltage range		90~132VAC/180~264VAC					
Impact current		Cold start current 15A/115VAC 30A/230VAC					
Overload protection		105%~201% cut off the output, automatic recovery					
Over voltage protection							
Setup, rise, hold up time		200ms, 50ms, 20ms/230VAC at full load					
Withstand voltage		I/P-O/P: 1.5kV I/P-FG: 1.5kV O/P-FG: 0.5kV 1minute					
Isolation resistance		I/P-O/P I/P-FG O/P-F/G: 500VDC/100MΩ					
Working temperature		-10°C~+50°C					
Dimension		199×110×50mm					

S-201W, S-250W Power Supply



S-200W

Single output power supply Summary

single output: power 200W
Input voltage: 90~132VAC/180~264VAC by switch

General Specification

215×115×50mm

Specification	Model	S-201-5	S-201-12	S-201-15	S-201-24	S-201-36	S-201-48
DC output voltage, current		5V 0~40A	12V 0~16A	15V 0~13A	24V 0~8.3A	36V 0~5.5A	48V 0~4.2A
Wave and noise		150mVp-p	150mVp-p	150mVp-p	150mVp-p	240mVp-p	240mVp-p
Inlet wire stability		±0.5%	±0.5%	±0.5%	±0.5%	±0.5%	±0.5%
Load stability		±1%	±0.5%	±0.5%	±0.5%	±0.5%	±0.5%
Efficiency		74%	80%	80%	83%	84%	84%
Adjustable range for DC voltage		±10%	±10%	±10%	±10%	±10%	±10%
Input voltage range		90~132VAC/180~264VAC by switch 254~370VDC 47~63Hz					
Impact current		Cold start current 25A/115VAC 50A/230VAC					
Overload protection		105%~135% cut off the output, automatic recovery					
Over voltage protection		115%~145% shut down O/P voltage ,re-power on to recover					
Setup, rise, hold up time		200ms, 100ms, 20ms/230VAC at full load					
Withstand voltage		I/P-O/P: 1.5kV I/P-FG: 1.5kV O/P-FG: 0.5kV 1minute					
Isolation resistance		I/P-O/P I/P-FG O/P-F/G: 500VDC/100MΩ					
Working temperature		-10°C~+50°C					
Dimension		215×115×50mm					

Single output power supply Summary

single output: power 250W
Input voltage: 90~132VAC/180~264VAC by switch

General Specification

215×115×50mm



S-250W

Specification	Model	S-250-5	S-250-12	S-250-15	S-250-24	S-250-36	S-250-48
DC output voltage, current		5V 0~45A	12V 0~20A	15V 0~16A	24V 0~10A	36V 0~6.7A	48V 0~5A
Wave and noise		150mVp-p	150mVp-p	150mVp-p	150mVp-p	200mVp-p	240mVp-p
Inlet wire stability		±2%	±1%	±1%	±1%	±1%	±1%
Load stability		±2%	±1%	±1%	±1%	±1%	±1%
Efficiency		74%	79%	79%	81.5%	84%	84%
Adjustable range for DC voltage		±10%	±10%	±10%	±10%	±10%	±10%
Input voltage range		90~132VAC/180~264VAC by switch 254~370VDC 47~63Hz					
Impact current		Cold start current 25A/115VAC 50A/230VAC					
Overload protection		105%~135% cut off the output, automatic recovery					
Over voltage protection		115%~150% shut down O/P voltage ,re-power on to recover					
Setup, rise, hold up time		200ms, 50ms, 16ms/230VAC at full load					
Withstand voltage		I/P-O/P: 1.5kV I/P-FG: 1.5kV O/P-FG: 0.5kV 1minute					
Isolation resistance		I/P-O/P I/P-FG O/P-F/G: 500VDC/100MΩ					
Working temperature		-10°C~+50°C					
Dimension		215×115×50mm					

S-350W, S-200W Power Supply



S-350W

Single output power supply Summary

single output: power 350W
Input voltage: 90~132VAC/180~264VAC by switch

General Specification

215×115×50mm

Specification	Model	S-350-5	S-350-12	S-350-15	S-350-18	S-350-24
DC output voltage, current		5V 0~50A	12V 0~29A	15V 0~23A	18V 0~19A	24V 0~14A
Wave and noise		150mVp-p	150mVp-p	150mVp-p	150mVp-p	150mVp-p
Inlet wire stability		±0.5%	±0.5%	±0.5%	±0.5%	±0.5%
Load stability		±0.5%	±0.5%	±0.5%	±0.5%	±0.5%
Efficiency		73%	83%	83%	84%	85%
Adjustable range for DC voltage		±10%	±10%	±10%	±10%	±10%
Input voltage range		90~132VAC/180~264VAC by switch 254~370VDC 47~63Hz				
Impact current		Cold start current 25A/115VAC 50A/230VAC				
Overload protection		105%~135% cut off the output, automatic recovery				
Over voltage protection		115%~150% shut down O/P voltage ,re-power on to recover				
Setup, rise, hold up time		200ms, 50ms, 20ms/230VAC at full load				
Withstand voltage		I/P-O/P: 1.5kV I/P-FG: 1.5kV O/P-FG: 0.5kV 1minute				
Isolation resistance		I/P-O/P I/P-FG O/P-F/G: 500VDC/100MΩ				
Working temperature		-10°C~+50°C				
Dimension		215×115×50mm				

Single output power supply Summary

single output: power 350W
Input voltage: 90~132VAC/180~264VAC by switch

General Specification

215×115×50mm



S-350W

Specification	Model	S-350-27	S-350-36	S-350-48	S-350-60	S-350-70	S-350-110
DC output voltage, current		27V 0~13A	36V 0~9.7A	48V 0~7.3A	60V 0~6A	70V 0~5A	110V 0~3A
Wave and noise		150mVp-p	150mVp-p	150mVp-p	200mVp-p	200mVp-p	240mVp-p
Inlet wire stability		±0.5%	±0.5%	±0.5%	±0.5%	±0.5%	±0.5%
Load stability		±0.5%	±0.5%	±0.5%	±0.5%	±0.5%	±0.5%
Efficiency		85%	85%	86%	86%	86%	86%
Adjustable range for DC voltage		±10%	±10%	±10%	±10%	±10%	±10%
Input voltage range		90~132VAC/180~264VAC by switch 254~370VDC 47~63Hz					
Impact current		Cold start current 25A/115VAC 50A/230VAC					
Overload protection		105%~135% cut off the output, automatic recovery					
Over voltage protection		115%~150% shut down O/P voltage ,re-power on to recover					
Setup, rise, hold up time		200ms, 50ms, 20ms/230VAC at full load					
Withstand voltage		I/P-O/P: 1.5kV I/P-FG: 1.5kV O/P-FG: 0.5kV 1minute					
Isolation resistance		I/P-O/P I/P-FG O/P-F/G: 500VDC/100MΩ					
Working temperature		-10°C~+50°C					
Dimension		215×115×50mm					

S-400W, S-500W Power Supply



S-400W

Single output power supply

Summary

single output: power 400W

Input voltage: 90~132VAC/180~264VAC by switch

General Specification

215×115×50mm

Specification	Model	S-400-5	S-400-12	S-400-24	S-400-48
DC output voltage, current		5V 0~60A	12V 0~33A	24V 0~16.5A	48V 0~8.3A
Wave and noise		100mVp-p	150mVp-p	150mVp-p	200mVp-p
Inlet wire stability		±0.5%	±0.5%	±0.5%	±0.5%
Load stability		±1%	±0.5%	±0.5%	±0.5%
Efficiency		73%	74%	81%	83%
Adjustable range for DC voltage		±10%	±10%	±10%	±10%
Input voltage range		90~132VAC/180~264VAC by switch 254~370VDC 47~63Hz			
Impact current		Cold start current 25A/115VAC 50A/230VAC			
Overload protection		105%~135% cut off the output, automatic recovery			
Over voltage protection		115%~150% shut down O/P voltage, re-power on to recover			
Setup, rise, hold up time		200ms, 50ms, 20ms/230VAC at full load			
Withstand voltage		I/P-O/P: 1.5kV I/P-FG: 1.5kV O/P-FG: 0.5kV 1minute			
Isolation resistance		I/P-O/P I/P-FG O/P-F/G: 500VDC/100MΩ			
Working temperature		-10°C~+50°C			
Dimension		215×115×50mm			

Single output power supply

Summary

single output: power 500W

Input voltage: 90~132VAC/180~264VAC by switch



S-500W

General Specification

238×124×65mm

Specification	Model	S-500-12	S-500-24	S-500-36	S-500-48
DC output voltage, current		12V 0~40A	24V 0~20A	36V 0~14A	48V 0~10A
Wave and noise		100mVp-p	150mVp-p	150mVp-p	150mVp-p
Inlet wire stability		±0.5%	±0.5%	±0.5%	±0.5%
Load stability		±0.5%	±0.5%	±0.5%	±0.5%
Efficiency		83%	85%	86%	87%
Adjustable range for DC voltage		±10%	±10%	±10%	±10%
Input voltage range		90~132VAC/180~264VAC by switch 254~370VDC 47~63Hz			
Impact current		Cold start current 25A/115VAC 50A/230VAC			
Overload protection		105%~300% cut off the output, automatic recovery			
Over voltage protection		115%~140% shut down O/P voltage, re-power on to recover			
Setup, rise, hold up time		800ms, 20ms, 36ms/230VAC at full load			
Withstand voltage		I/P-O/P: 1.5kV I/P-FG: 1.5kV O/P-FG: 0.5kV 1minute			
Isolation resistance		I/P-O/P I/P-FG O/P-F/G: 500VDC/100MΩ			
Working temperature		-10°C~+50°C			
Dimension		238×124×65mm			

S-600W, DR-30W Power Supply



S-600W

Single output power supply

Summary

single output: power 20W

Input voltage: 90~132VAC/180~264VAC by switch

General Specification

238×124×65mm

Specification	Model	S-600-12	S-600-24	S-600-36	S-600-48
DC output voltage, current		12V 0~50A	24V 0~25A	36V 0~16.7A	48V 0~12.5A
Wave and noise		100mVp-p	150mVp-p	150mVp-p	150mVp-p
Inlet wire stability		±0.5%	±0.5%	±0.5%	±0.5%
Load stability		±0.5%	±0.5%	±0.5%	±0.5%
Efficiency		83%	85%	86%	87%
Adjustable range for DC voltage		±10%	±10%	±10%	±10%
Input voltage range		90~132VAC/180~264VAC by switch 254~370VDC 47~63Hz			
Impact current		Cold start current 25A/115VAC 50A/230VAC			
Overload protection		105%~300% cut off the output, automatic recovery			
Over voltage protection		115%~140% shut down O/P voltage, re-power on to recover			
Setup, rise, hold up time		800ms, 20ms, 36ms/230VAC at full load			
Withstand voltage		I/P-O/P: 1.5kV I/P-FG: 1.5kV O/P-FG: 0.5kV 1minute			
Isolation resistance		I/P-O/P I/P-FG O/P-F/G: 500VDC/100MΩ			
Working temperature		-10°C~+50°C			
Dimension		238×124×65mm			

Single output DIN rail power supply

Summary

single output: power 30W

Input voltage: 85~264VAC 120~370VDC



DR-30W

General Specification

78×93×56mm

Specification	Model	DR-30-12	DR-30-24
DC output voltage, current		12V 0~2A	24V 0~1.5A
Wave and noise		120mVp-p	150mVp-p
Inlet wire stability		±0.5%	±0.5%
Load stability		±0.5%	±0.5%
Efficiency		81%	83%
Adjustable range for DC voltage		±10%	±10%
Input voltage range		85~264VAC 120~370VDC 47~63Hz	
Impact current		Cold start current 15A/115VAC 30A/230VAC	
Overload protection		105%~160% cut off the output, automatic recovery	
Over voltage protection		115%~135% shut down O/P voltage, re-power on to recover	
Setup, rise, hold up time		800ms, 60ms, 50ms/230VAC at full load	
Withstand voltage		I/P-O/P: 1.5kV I/P-FG: 1.5kV O/P-FG: 0.5kV 1minute	
Isolation resistance		I/P-O/P I/P-FG O/P-F/G: 500VDC/100MΩ	
Working temperature		-10°C~+50°C	
Dimension		78×93×56mm	

DR-45W, DR-60W Power Supply



DR-45W

Single output DIN rail power supply Summary

single output: power 45W
Input voltage: 85~264VAC 120~370VDC

General Specification

78×93×56mm

Specification	Model	DR-45-12	DR-45-24
DC output voltage, current		12V 0~3.5A	24V 0~2A
Wave and noise		120mVp-p	150mVp-p
Inlet wire stability		±0.5%	±0.5%
Load stability		±0.5%	±0.5%
Efficiency		77%	80%
Adjustable range for DC voltage		±10%	±10%
Input voltage range		85~264VAC 120~370VDC 47-63Hz	
Impact current		Cold start current 28A/115VAC 56A/230VAC	
Overload protection		105%~150% cut off the output, automatic recovery	
Over voltage protection		115%~135% shut down O/P voltage, re-power on to recover	
Setup, rise, hold up time		800ms, 60ms, 50ms/230VAC at full load	
Withstand voltage		I/P-O/P: 1.5kV I/P-FG: 1.5kV O/P-FG: 0.5kV 1minute	
Isolation resistance		I/P-O/P I/P-FG O/P-F/G: 500VDC/100MΩ	
Working temperature		-10°C~+50°C	
Dimension		78×93×56mm	

Single output DIN rail power supply Summary

single output: power 60W
Input voltage: 85~264VAC 120~370VDC

General Specification

78×93×56mm

Specification	Model	DR-60-12	DR-60-24
DC output voltage, current		12V 0~4.5A	24V 0~2.5A
Wave and noise		120mVp-p	150mVp-p
Inlet wire stability		±0.5%	±0.5%
Load stability		±0.5%	±0.5%
Efficiency		82%	84%
Adjustable range for DC voltage		±10%	±10%
Input voltage range		85~264VAC 120~370VDC 47-63Hz	
Impact current		Cold start current 18A/115VAC 36A/230VAC	
Overload protection		105%~160% cut off the output, automatic recovery	
Over voltage protection		115%~135% shut down O/P voltage, re-power on to recover	
Setup, rise, hold up time		800ms, 60ms, 50ms/230VAC at full load	
Withstand voltage		I/P-O/P: 1.5kV I/P-FG: 1.5kV O/P-FG: 0.5kV 1minute	
Isolation resistance		I/P-O/P I/P-FG O/P-F/G: 500VDC/100MΩ	
Working temperature		-10°C~+50°C	
Dimension		78×93×56mm	



DR-60W

DR-75W, DR-120W Power Supply



DR-75W

Single output DIN rail power supply Summary

single output: power 75W
Input voltage: 85~264VAC 120~370VDC

General Specification

55.5×125.2×100mm

Specification	Model	DR-75-12	DR-75-24
DC output voltage, current		12V 0~6.3A	24V 0~3.2A
Wave and noise		100mVp-p	150mVp-p
Inlet wire stability		±0.5%	±0.5%
Load stability		±0.5%	±0.5%
Efficiency		76%	80%
Adjustable range for DC voltage		±10%	±10%
Input voltage range		85~264VAC 120~370VDC 47-63Hz	
Impact current		Cold start current 20A/115VAC 40A/230VAC	
Overload protection		105%~150% cut off the output, automatic recovery	
Over voltage protection		121%~142% shut down O/P voltage, re-power on to recover	
Setup, rise, hold up time		1000ms, 60ms, 60ms/230VAC at full load	
Withstand voltage		I/P-O/P: 1.5kV I/P-FG: 1.5kV O/P-FG: 0.5kV 1minute	
Isolation resistance		I/P-O/P I/P-FG O/P-F/G: 500VDC/100MΩ	
Working temperature		-10°C~+50°C	
Dimension		55.5×125.2×100mm	

Single output DIN rail power supply Summary

single output: power 120W
Input voltage: 85~264VAC 120~370VDC

General Specification

65.5×125.2×100mm

Specification	Model	DR-120-12	DR-120-24
DC output voltage, current		12V 0~10A	24V 0~5A
Wave and noise		85mVp-p	85mVp-p
Inlet wire stability		±0.5%	±0.5%
Load stability		±1%	±0.5%
Efficiency		80%	84%
Adjustable range for DC voltage		±10%	±10%
Input voltage range		85~264VAC 120~370VDC 47-63Hz	
Impact current		Cold start current 20A/115VAC 40A/230VAC	
Overload protection		105%~150% cut off the output, automatic recovery	
Over voltage protection		120%~140% shut down O/P voltage, re-power on to recover	
Setup, rise, hold up time		500ms, 70ms, 30ms/230VAC at full load	
Withstand voltage		I/P-O/P: 1.5kV I/P-FG: 1.5kV O/P-FG: 0.5kV 1minute	
Isolation resistance		I/P-O/P I/P-FG O/P-F/G: 500VDC/100MΩ	
Working temperature		-10°C~+50°C	
Dimension		65.5×125.2×100mm	



DR-120W

Power Equipment

YCPE Series Pure Sine Wave Inverter With E Display



Intelligent digital display
 Input & output fully isolated.
 Very stable AC output, low voltage drop
 Customized input voltage: 36V/60V/72V/96V/110VDC

Specification	Model	YCPE300	YCPE500	YCPE1000	YCPE1500	YCPE2000	YCPE3000	YCPE4000	YCPE5000	YCPE6000	YCPE8000
Rated Power		300W	500W	1000W	1500W	2000W	3000W	4000W	5000W	6000W	8000W
Surge Power		600W	1000W	2000W	3000W	4000W	6000W	8000W	10000W	12000W	16000W
Input Voltage		12/24/48VDC						24/48VDC			
Output Voltage		110/220VAC±5%									
USB Port		5V 2A									
Frequency		50Hz ± 3 or 60Hz±3									
Output Waveform		Pure Sine Wave									
Soft Start		YES									
THD/AC Regulation		THD<3%(LinearLoad)									
Output Efficiency		94%MAX									
Cooling Way		Intelligent Cooling Fan									
Protection		Battery Low Voltage & Over Voltage, Over Load, Over Temperature, Short Circuit									
Working Temperature		-10°C - +50°C									
Dimension(L*W*H)(cm)		20*11.2*6	21.5*15*7.8	27.8*17*10.5	38.1*17*10.5	38.1*17*10.5	48*19.9*8.4	44*20*15	51*20*15	61*20*15	61*20*15
Meas./Ctn(L*W*H)(cm)		54.5*49*32.5/18PCS	76*45*28/10PCS	53.5*47*48.7/6PCS	47.5*47*36.5/4PCS	47.5*47*36.5/4PCS	62.5*53*25.5/4PCS	63.5*30.8*24/1PCS	63.5*30.8*24/1PCS	73.5*30.8*24/1PCS	73.5*30.8*24/1PCS
N.W./Unit(kg)		0.82KG	1.7KG	2.74KG	4KG	4KG	6.1KG	9KG	10.12KG	11.62KG	13.14KG
G.W./Ctn		20KG	22.5KG	20.5KG	21.6KG	21.6KG	30.44KG	10.84KG	11.72KG	13.44KG	14.96KG
Packing		Carton						Honeycomb carton			
Warranty		2 Years									

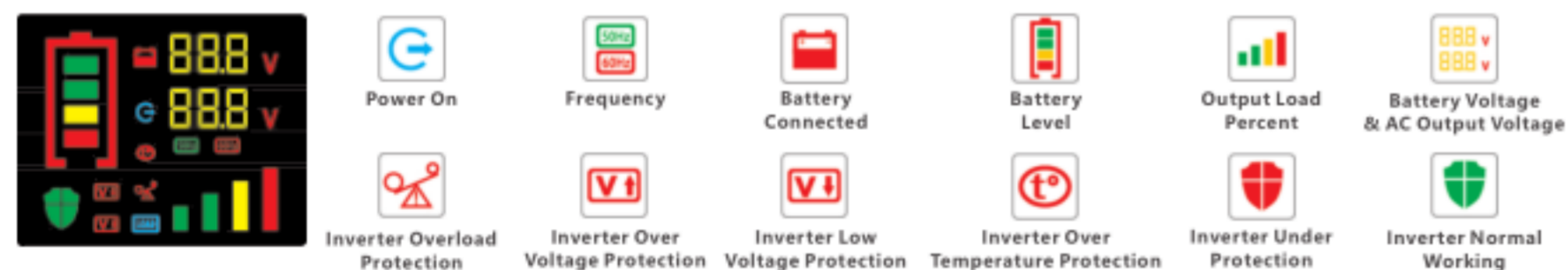
Power Equipment

YCP Series Pure Sine Wave Inverter



Specification	Model	YCP300	YCP500	YCP1000	YCP1500	YCP2000	YCP3000	YCP4000	YCP5000	YCP6000	YCP8000
Rated Power		300W	500W	1000W	1500W	2000W	3000W	4000W	5000W	6000W	8000W
Surge Power		600W	1000W	2000W	3000W	4000W	6000W	8000W	10000W	12000W	16000W
Input Voltage		12/24/48VDC						24/48VDC			
Output Voltage		110/220VAC±5%									
USB Port		5V 1A									
Frequency		50Hz ± 3 or 60Hz±3									
Output Waveform		Pure Sine Wave									
Soft Start		YES									
THD/AC Regulation		THD<3%(LinearLoad)									
Output Efficiency		94%MAX									
Cooling Way		Intelligent Cooling Fan									
Protection		Battery Low Voltage & Over Voltage, Over Load, Over Temperature, Short Circuit									
Working Temperature		-10°C - +50°C									
Dimension(L*W*H)(cm)		19.5*11.2*6.0	23.2*15*7.8	32.6*16.5*8.7	36.2*16.5*8.7	45.6*20.6*12.2	46*21*8.6	46.5*21.6*15.6	46.5*21.6*15.6	51.8*20*14.5	66*30*23.5
Meas./Ctn(L*W*H)(cm)		51*49*30.7/18PCS	63*34*38.5/10PCS	67.5*37.3*29.7/6PCS	52*47.5*38/4PCS	52*47.5*38/4PCS	53.5*51.5*27.5/PCS	57.5*31.5*25/1PCS	57.5*31.5*25/1PCS	64.3*30*23.5/1PCS	74*30*23.5/1PCS
N.W./Unit(kg)		1.0KG	2.0KG	3.1KG	4.3KG	4.02KG	6.1KG	10KG	10.5KG	12KG	14KG
G.W./Ctn		23KG	24KG	22KG	20KG	24.5KG	28KG	12KG	12.5KG	14KG	18KG
Packing		Honeycomb carton									
Warranty		2 Years									

EModel Display



Working Mode



Power Equipment

YCPC Series Pure Sine Wave Inverter With Charger



OVERLOAD PROTECTION



OVER TEMPERATURE PROTECTION



SHORT CURRENT PROTECTION



LOW/OVER VOLTAGE PROTECTION

Specification	Model	YCPC500	YCPC1000	YCPC1500	YCPC2000	YCPC3000	YCPC4000	YCPC5000
Rated Power		500W	1000W	1500W	2000W	3000W	4000W	5000W
Surge Power		1000W	2000W	3000W	4000W	6000W	8000W	10000W
Input Voltage		12/24/48VDC				24/48VDC		
Output Voltage		110/220VAC±5%						
USB Port		5V 2A						
Frequency		50Hz ± 3 or 60Hz±3						
Output Waveform		Pure Sine Wave						
Soft Start		YES						
Charging Current		10/20/30A optional						
Priority		Grid first						
Transfer time		< 10 ms						
Cooling Way		Intelligent Cooling Fan						
Protection		Battery Low Voltage & Over Voltage, Over Load, Over Temperature,Short Circuit						
WorkingTemperature		-10°C~+50°C						
Dimension(L*W*H)(cm)		36.5*16.5*9	40*16.5*9	43.5*16.5*11.3	43.5*16.5*11.3	45*21.2*15.2	49.7*21.6*15.1	73.5*30.8*24
Meas./Ctn(L*W*H)(cm)		49.5*48*31.5/4pcs	55*47.5*31.5/4pcs	57*47*38.5/4pcs	57*47*38.5/4pcs	63.5*30.8*24/1pcs	63.5*30.8*24/1pcs	61*21.6*15.1/pcs
N.W./Unit(kg)		2.8KG	3.62KG	5.04KG	5.04KG	8.9KG	11.14KG	13.56KG
G.W./Ctn		13.76KG	4.06KG	5.92KG	5.92KG	10.12KG	13.4KG	16.08KG
Packing		Carton				Honeycomb carton		
Warranty		1 Years						

Power Equipment

YCM Modified Sine Wave Inverter



OVERLOAD PROTECTION



OVER TEMPERATURE PROTECTION



SHORT CURRENT PROTECTION



LOW/OVER VOLTAGE PROTECTION

Specification	Model	YCM300	YCM400	YCM500	YCM850	YCM1000	YCM1200	YCM1500	YCM2000	YCM3000
Rated Power		300W	400W	500W	850W	1000W	1200W	1500W	2000W	3000W
Surge Power		600W	800W	1000W	1500W	2000W	2400W	3000W	4000W	6000W
Input Voltage		12/24/48VDC						24/48VDC		
Output Voltage		110/220VAC±5%								
USB Port		5V 1A								
Frequency		50Hz ± 3 or 60Hz±3								
Output Waveform		Modified sine wave								
Soft Start		YES								
THD/AC Regulation		THD<3%(LinearLoad)								
Output Efficiency		88%MAX								
Cooling Way		Intelligent Cooling Fan								
Protection		Battery Low Voltage & Over Voltage, Over Load, Over Temperature,Short Circuit								
WorkingTemperature		-10°C~+50°C								
Dimension(L*W*H)(cm)		15.5*11.2*5.8	15.5*11.2*5.8	18*11.2*5.8	21.5*11.2*5.8	24.5*15*7.7	24.5*15*7.7	28.5*15*7.7	32*16.7*9.2	41*16.7*9.2
Meas./Ctn(L*W*H)(cm)		52*48.5*32/32pcs	52*48.5*32/32pcs	52*49.5*32/32pcs	54.5*33.5*31/20pcs	52*34*42/8pcs	52*34*42/8pcs	52*36.5*48/8pcs	53*47*41/4pcs	47*47*33.5/4pcs
N.W./Unit(kg)		0.66KG	0.66KG	0.75KG	1.2KG	2KG	2KG	2.2KG	3.1KG	4.2KG
G.W./Ctn		29.3KG	29.3KG	33KG	25.9KG	16.6KG	16.6KG	20.4KG	21.5KG	19.2KG
Packing		Carton								
Warranty		1 Year								