

**DELIVER
POWER
FOR
BETTER LIFE!**

CATALOGUE

MV switch directory



CNC
ELECTRIC

CNC ELECTRIC GROUP ZHEJIANG TECHNOLOGY CO.,LTD

● Add : CNC High-Tech Hutou Industrial Zone, Liushi Town, Yueqing . Wenzhou City, China
● Tel : 0086-577-6289 8809 ● Web : www.cncele.com ● Fax : 0086-577-6189 1122



printed on recycled paper



This manual is printed by CNC ELECTRIC GROUP CO., LTD, only used to show the relative information of this series. CNC ELECTRIC GROUP CO., LTD keep the right of amending this manual due to technical improved or new production process used, or mistake amended, etc without notice. Please contact with our company to confirm the relative information when place the order.

CNC
ELECTRIC

About CNC

CNC was founded in 1988 specialized in Low-voltage electrical and Power Transmission and Distribution industries. We provide our customers with profitable growth by offering integrated comprehensive electrical solution.

CNC key value is innovation and quality to ensure clients with safe, reliable products. We set up advanced assembly line, test center, R&D Center and quality control center. We have got the certificates of ISO9001, ISO14001, OHSAS18001 and CE, CB, SEMKO, KEMA, TUV etc.

As a leading manufacturer of electrical products in China, our business covers over 100 countries.

**DELIVER
POWER
FOR
BETTER LIFE!**



CONTENTS

MV Circuit Breaker

001-069

ZN63(VS1)-12	Indoor Vacuum Circuit Breaker (Insulation Cylinder)	Page 001~006
ZN63(VS1) -12P	Indoor Vacuum Circuit Breaker (Solid Sealed)	Page 007~011
ZN63C-12	Indoor Side Mounted Vacuum Circuit Breaker	Page 012~016
ZN63M(VCM1) -12	Indoor Permanent Magnet Vacuum Circuit Breaker	Page 017~021
ZN63(VS1)-24	Indoor Vacuum Circuit Breaker	Page 022~026
VYF-12GD	Indoor Three Position Vacuum Circuit Breaker	Page 027~032
ZN28(A)-40.5	Indoor Vacuum Circuit Breaker	Page 033~036
ZN23-40.5	Indoor Vacuum Circuit Breaker	Page 037~040
ZN85-40.5	Indoor Vacuum Circuit Breaker	Page 041~044
ZW32-12	Outdoor Vacuum Circuit Breaker	Page 045~048
ZW32Y-12	Outdoor Vacuum Circuit Breaker	Page 049~051
ZW32-24	Outdoor Vacuum Circuit Breaker	Page 052~056
ZW20□-12	Outdoor Vacuum Circuit Breaker	Page 057~060
ZW8-12	Outdoor Vacuum Circuit Breaker	Page 061~066
ZW7-40.5	Outdoor Vacuum Circuit Breaker	Page 067~069

MV Load Switch

071-102

FLN36	Indoor SF6 Load Switch	Page 071~077
FN7-12R(L)	Indoor Load Switch	Page 078~080
FKN(R)12A-12	Indoor Vacuum Load Switch	Page 081~086
FZ(R)N21-12	Indoor Vacuum Load Switch	Page 087~090
FZ(R)N25-12	Indoor Vacuum Load Switch	Page 091~094
FZW28-12F	Outdoor Vacuum Load Switch	Page 095~098
FZW32-12 ~40.5	Outdoor Vacuum Load Switch	Page 099~102

MV Isolation Switch

104-120

GN19-12	Indoor isolation switch	Page 104~105
GN30-12	Indoor isolation switch	Page 106~108
GW9	Outdoor Isolation Switch	Page 109~111
GW1	Outdoor Isolation Switch	Page 112~114
GW4	Outdoor Isolation Switch	Page 115~117
GW5	Outdoor Isolation Switch	Page 118~120

CONTENTS

MV Grounding Switch

122-134

JN15-12	Indoor Grounding Switch	Page 122~124
JN15-24	Indoor Grounding Switch	Page 125~126
JN17-12/40	Indoor Grounding Switch	Page 127~129
JN22-40.5/31.5	Indoor Grounding Switch	Page 130~132
JN22B-40.5/31.5	Indoor Grounding Switch	Page 133~134

MV Transformer CT&PT

136-170

LFS(B)-10	Current Transformer	Page 136~138
LZZBJ9-10	Current Transformer	Page 139~144
LZZBJ10-10Q	Current Transformer	Page 145~147
LZZBJ18-10	Current Transformer	Page 148~152
LCT-2,3,4,7	Zero-sequence Current Transformer	Page 153~154
JDZ(J)-3,6,10(Q)	Voltage Transformer	Page 155~158
JDZ8-3,6,10	Voltage Transformer	Page 159~161
JDZ□□18(10)-3,6,10	Voltage Transformer	Page 162~164
JDZC-6,10	Voltage Transformer	Page 165~167
JSZW3-3、6、10	Semi-enclosure Three Phase Voltage Transformer	Page 168~170

MV Fuse

172-196

XRNP	Current-limiting Fuses for Voltage Transformer Protection	Page 172~174
XRNT	Current-limiting Fuses for Transformer Protection	Page 175~177
XRNM1	Current-limiting Fuses for Motor Protection	Page 178~180
RN1	Indoor Current Limiting Fuse	Page 181~185
RN2	Indoor Current Limiting Fuse	Page 186~187
PRW□	Drop-out Fuse	Page 188~194
Fuse Link		Page 195~196

Surge Arrester

198-204

Zinc Oxide Arrester	Page 198~204
---------------------	--------------

Insulator

206-216

Polymer Insulators	Page 206~208
High Voltage Pin Type Insulators	Page 209~209
Strain Insulators for Lines	Page 210~210
Porcelain Disc Suspension Insulators	Page 211~211
Low & Medium Voltage Pin Type Insulators	Page 212~212
High Voltage Pin Type Insulators	Page 213~214
Spool Insulators	Page 215~215
Shaackle Insulator	Page 216~216



Factory workshop assembly line

The quality management of CNC strictly follows the principle of "human machine, material, method, and environment", which includes operating workers, equipment, raw materials, production processes, and the environment, ensuring the excellent performance of each element, in order to effectively improve product performance, lifespan, reliability, safety, and economy.

MV Product testing equipment



Lightning impulse voltage generator test device



Test Bench



Power frequency withstand voltage test device

MV Circuit Breaker



POWER TRANSMISSION AND
DISTRIBUTION PRODUCT SELECTION

PROFESSIONAL MANUFACTURER OF
HIGH AND LOW VOLTAGE PRODUCTS

CNC
ELECTRIC

MV Circuit Breaker **ZN63(VS1)-12** Indoor Vacuum Circuit Breaker (Insulation Cylinder)

- ◊ ZN63(VS1)-12 indoor AC MV vacuum circuit breaker is a three-phase AC 50HZ indoor switchgear with a rated voltage of 12KV. It can be used in industrial and mining enterprises, power plants and substations for the control and protection of electrical facilities, and is suitable for places with frequent operations.
- ◊ Standard: IEC 62271-100

General



CNC
ELECTRIC

MV Circuit Breaker ZN63(VS1)-12 Indoor Vacuum Circuit Breaker (Insulation Cylinder)

Selection

ZN63	12	T	630	25	HT	P210
Model	Rated voltage(KV)	Operating mechanism	Rated current(A)	Rated short-circuit breaking current(KA)	Installation	Phase spacing
Indoor vacuum circuit breaker	12:12KV	T: Spring type	630, 1250, 1600, 2000, 2500, 3150, 4000	20, 25, 31.5, 40	HT: Handcart FT: Fixed type	P150, P210, P275

Note:
ZN63-12 adopts a double spring integrated mechanism by default. If a single spring modular mechanism is required, a single spring needs to be added to the model backup;

Operating conditions

- The ambient temperature is not higher than +40°C and not lower than -15°C (storage and transportation at -30°C are allowed);
- The altitude is not higher than 1000m;
- Relative temperature: the daily average is not more than 95%, and the monthly average The value is not more than 90%, the daily average value of saturated vapor pressure is not more than 2.2×10⁻¹MPa, and the monthly average value is not more than 1.8×10MPa;
- The seismic intensity does not exceed 8 degrees;
- There is no fire, explosion hazard, serious pollution, Places subject to chemical corrosion and severe vibration.

Features

- The arc extinguishing chamber and operating mechanism of the circuit breaker are arranged in a front-to-back configuration and connected as a whole through a transmission mechanism.
- The insulating cylinder is formed using the APG (Automatic Pressure Gelation) new process.
- Inner skirts and reinforcing ribs are added to the insulating cylinder, which enhances the insulation level and the ability to withstand dynamic stable currents.
- The vacuum arc extinguishing chamber is installed inside the insulating cylinder, effectively preventing damage and surface contamination caused by foreign objects, while reducing the overall size of the circuit breaker.
- The operating mechanism adopts a spring-stored energy design, providing both electric and manual energy storage functions.
- An advanced and rational buffer device ensures that there is no rebound during disconnection, reducing disconnection impact and vibration.
- No adjustment needed and has minimal maintenance or maintenance-free operation.
- The mechanical lifespan can reach up to 20,000 operations

MV Circuit Breaker ZN63(VS1)-12 Indoor Vacuum Circuit Breaker (Insulation Cylinder)

Technical data

Technical datas are shown in Table 1

Item	Unit	Value		
Rated voltage	kV	12		
Rated insulation level		Rated lightning impulse withstand voltage (peak)		
		75		
	1min power frequency withstand voltage			
	42			
Rated current	A	630 1250	630, 1250, 1600, 2000, 2500, 3150	1250, 1600, 2000, 2500, 3150, 4000
Rated short circuit breaking current(KA)	kA	20	25	31.5
Rated thermal stable current (effective value)	kA	20	25	31.5
Rated dynamic stable current (peak value)		20	63	80
Rated short-circuit making current (peak value)		50	63	80
Rated short-circuit breaking current breaking times	Times	30	30	30
Secondary circuit power frequency withstand current	V	2000		
Rated operating sequence	/	Opening -0.3s - closing and opening - 180s - closing and opening -180s - closing and opening -180s - closing and opening (40kA)		
Rated thermal stability time	s	4		
Rated single/back to back capacitor bank breaking current	A	630/400		800/400
Mechanical life	Times	20000		10000

The mechanical characteristic parameters of the circuit breaker are shown in Table 2

Item	Unit	Value	
Contact distance	mm	11±1(Solid-sealing 9±1)	
Contact travel		3.3±0.6	
Average closing speed (6mm~contact closed)	m/s	0.6±0.2	
Average opening speed (contact separation -6mm)		1.2±0.2	
Opening time (rated voltage)	m/s	20~50	
Closing time (rated voltage)		35~70	
Contact closing bounce time	m/s	≤2	≤3 (40kA)
Three phase opening asynchrony		≤2	
Allowable cumulative thickness of wear for moving and stationary contacts	mm	3	
Main electrical circuit resistance	μΩ	≤50(630A) ≤35(1600~2000A)	≤45(1250A) ≤25(2500A and above)
Contact pressure of closing contacts	N	2000±200(20kA) 3100±200(31.5kA)	2400±200(25kA) 4500±250(40kA)

The opening and closing coil parameters are shown in Table 3

Item	Closing coil	Opening coil	Note
Rated operating voltage(V)	AC110/220,DC110/220	AC110/220,DC110/220	The opening coil shall not open when it is less than 30% of the rated operating voltage
Coil power(W)	245	245	
Normal operating voltage range	85% -110% rated voltage	65% -120% rated voltage	

Energy storage motor parameters are shown in Table 4

Model	Rated voltage	Rated input power	Normal operating voltage range	Energy storage time at rated voltage
ZYJ55-1	DC110 DC220	70	85% -110% rated voltage	≤15

MV Circuit Breaker ZN63(VS1)-12 Indoor Vacuum Circuit Breaker (Insulation Cylinder)

Overall and mounting dimensions(mm)

Figure 1: Handcart type ZN63 (VS1) circuit breaker suitable for 800mm cabinet width overall dimensions

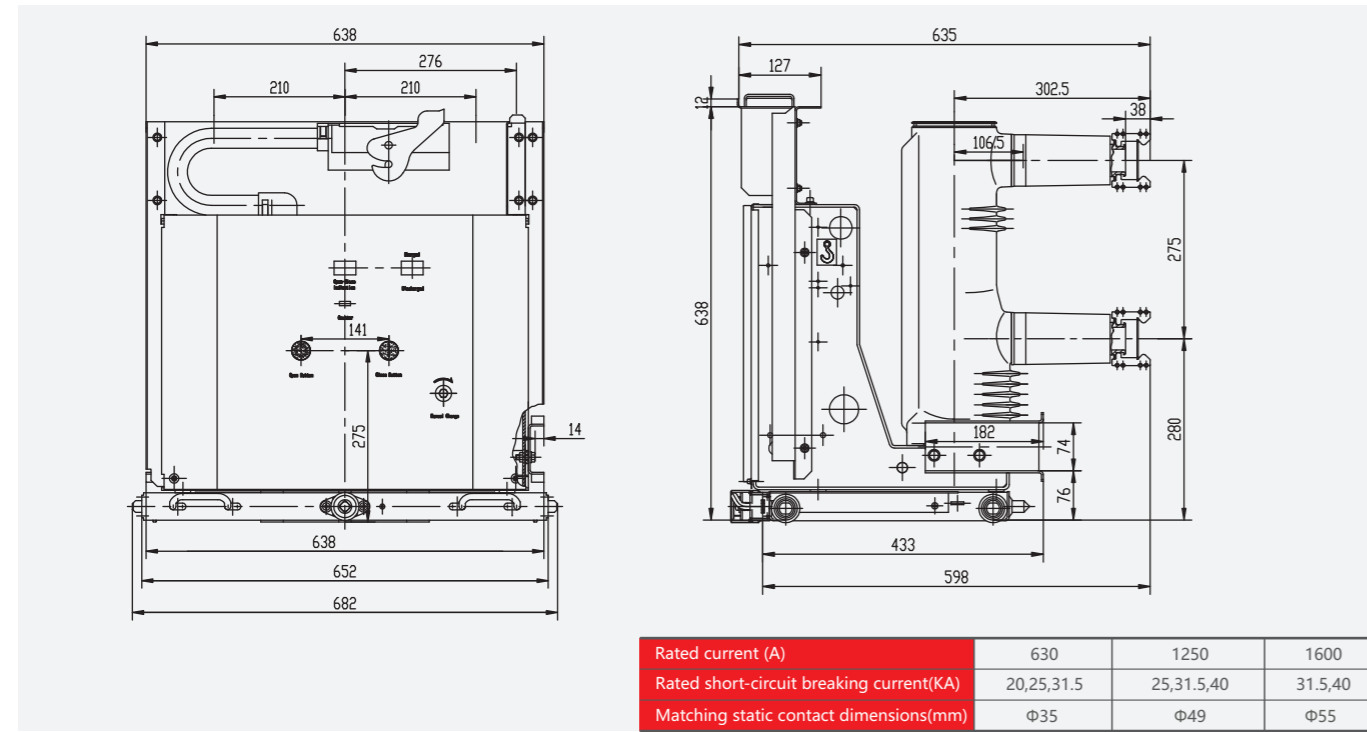
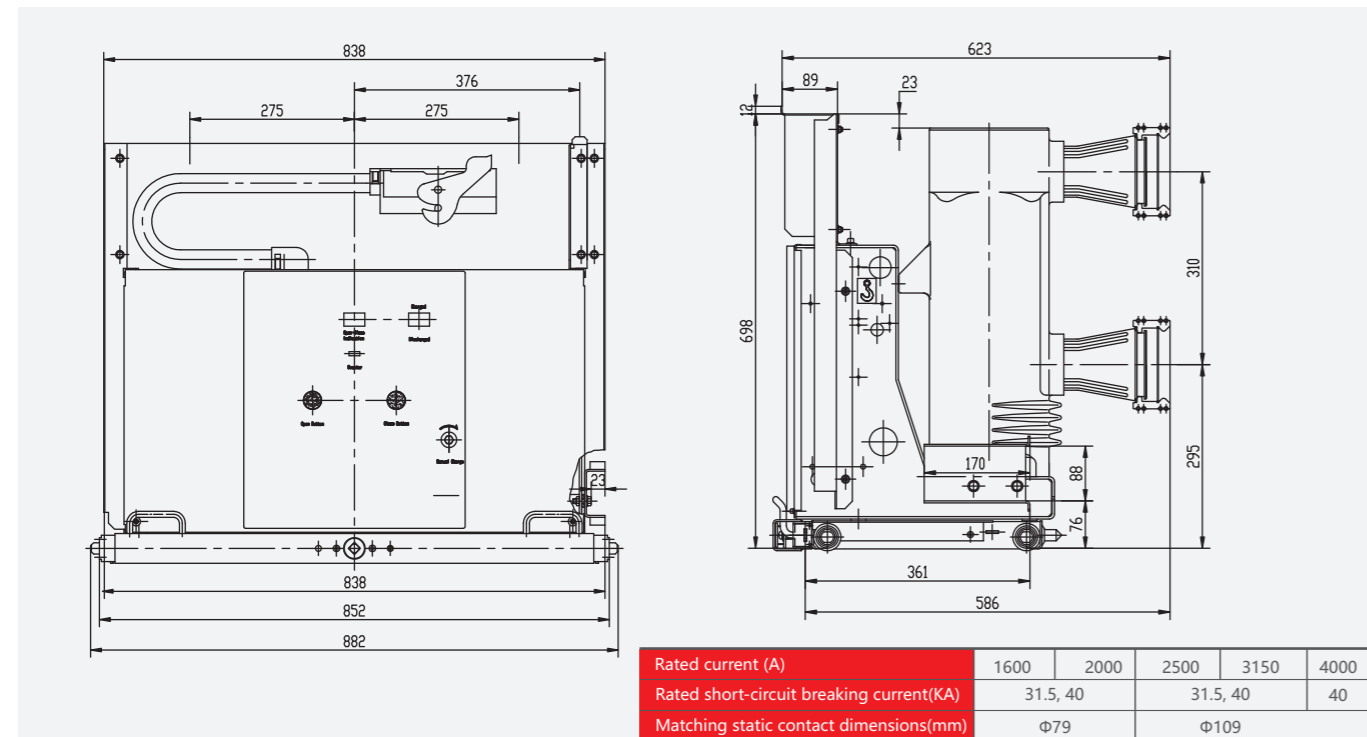


Figure 3: Handcart type ZN63A (VS1) circuit breaker suitable for 1000mm cabinet width overall dimensions



MV Circuit Breaker ZN63(VS1)-12 Indoor Vacuum Circuit Breaker (Insulation Cylinder)

Figure 2: Fixed type ZN63A (VS1) circuit breaker suitable for 800mm cabinet width overall dimensions

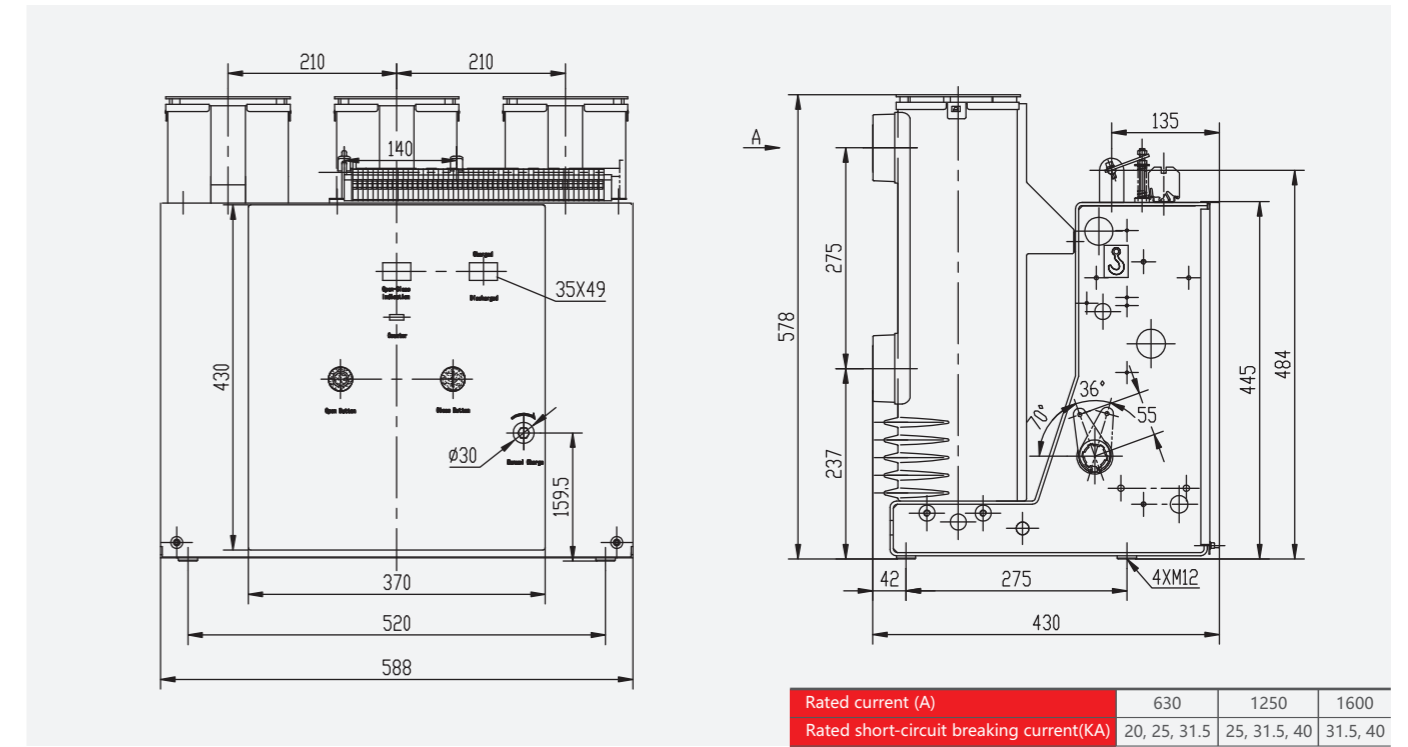
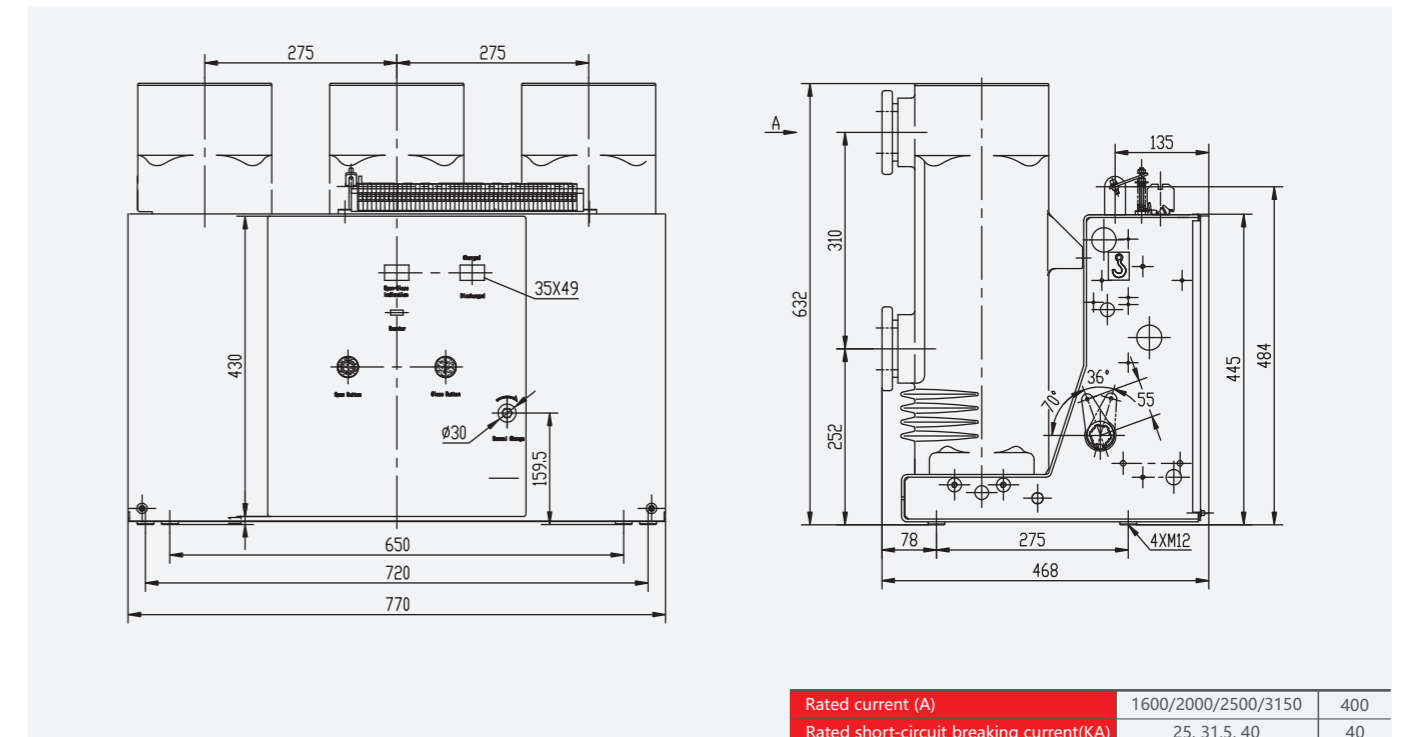


Figure 4: Fixed type ZN63A (VS1) circuit breaker suitable for 1000mm cabinet width overall dimensions



MV Circuit Breaker ZN63(VS1)-12P Indoor Vacuum Circuit Breaker (Solid Sealed)

- ZN63(VS1)-12P indoor AC MV vacuum circuit breaker is a three-phase AC 50HZ indoor switchgear with a rated voltage of 12KV. It can be used in industrial and mining enterprises, power plants and substations for the control and protection of electrical facilities, and is suitable for places with frequent operations.
- Standard: IEC 62271-100

General



MV Circuit Breaker ZN63(VS1)-12P Indoor Vacuum Circuit Breaker (Solid Sealed)

Selection

ZN63(VS1)	12	P	T	630	25	HT	P210
Name	Rated voltage(KV)	Pole type	Operating mechanism	Rated current(A)	Rated short-circuit breaking current(KA)	Installation	Phase spacing
Indoor vacuum circuit breaker	12:12KV	P: Solid -sealing type	T: Spring type	630, 1250, 1600, 2000, 2500, 3150, 4000	20, 25, 31.5, 40	HT: Handcart FT: Fixed type	P150, P210, P275

Note:

ZN63(VS1)-12P adopts a double spring integrated mechanism by default. If a single spring modular mechanism is required, a single spring needs to be added to the model backup;

Operating conditions

- The ambient temperature is not higher than +40°C and not lower than -15°C (storage and transportation at -30°C are allowed);
- The altitude is not higher than 1000m;
- Relative temperature: the daily average is not more than 95%, and the monthly average The value is not more than 90%, the daily average value of saturated vapor pressure is not more than 2.2×10^{-1} MPa, and the monthly average value is not more than 1.8×10 MPa;
- The seismic intensity does not exceed 8 degrees;
- There is no fire, explosion hazard, serious pollution, Places subject to chemical corrosion and severe vibration.

Features

- The arc extinguishing chamber and operating mechanism of the circuit breaker are arranged in a front-to-back configuration and connected as a whole through a transmission mechanism.
- The hermetically sealed pole adopts epoxy resin insulation material to seal the vacuum arc extinguishing chamber and the main circuit conductive components as a whole.
- The vacuum arc extinguishing chamber utilizes a hermetically sealed pole, enhancing the product's ability to withstand environmental pollution.
- The operating mechanism adopts a spring-stored energy design, providing both electric and manual energy storage functions.
- It features an advanced and rational buffer device, ensuring no rebound during disconnection and reducing disconnection impact and vibration.
- It has advantages such as simple assembly, high insulation strength, high reliability, good product consistency, and maintenance-free operation.
- The mechanical lifespan can reach up to 20,000 operations.

MV Circuit Breaker ZN63(VS1)-12P Indoor Vacuum Circuit Breaker (Solid Sealed)

Technical data

Technical datas are shown in Table 1

Item	Unit	Value			
Rated voltage	kV	12			
Rated insulation level		Rated lightning impulse withstand voltage (peak)			
		75			
	1min power frequency withstand voltage				
	42				
Rated current	A	630 1250	630, 1250, 1600, 2000, 2500, 3150	1250, 1600, 2000, 2500, 3150, 4000	
Rated short circuit breaking current(KA)	KA	20	25	31.5	40
Rated thermal stable current (effective value)	KA	20	25	31.5	40
Rated dynamic stable current (peak value)		63		80	100
Rated short-circuit making current (peak value)		50	63	80	100
Rated short-circuit breaking current breaking times	Times	80	50	30	
Secondary circuit power frequency withstand current	V	2000			
Rated operating sequence	/	Opening -0.3s - closing and opening - 180s - closing and opening -180s - closing and opening -180s - closing and opening (40kA)			
Rated thermal stability time	s	4			
Rated single/back to back capacitor bank breaking current	A	630/400		800/400	
Mechanical life	Times	20000		10000	

The mechanical characteristic parameters are shown in Table 2

Item	Unit	Value	
Contact distance	mm	11+1	
Contact travel		3.3±0.6	
Average closing speed (6mm~contact closed)	m/s	0.6±0.2	
Average opening speed (contact separation -6mm)		1.2±0.2	
Opening time (rated voltage)	m/s	20~50	
Closing time (rated voltage)		35~70	
Contact closing bounce time	m/s	≤2	≤3(40kA)
Three phase opening asynchrony		≤2	
Allowable cumulative thickness of wear for moving and stationary contacts	mm	3	
Main electrical circuit resistance	μΩ	≤50(630A) ≤35(1600~2000A)	≤45(1250A) ≤25(2500A and above)
Contact pressure of closing contacts	N	2000±200(20kA) 3100±200(31.5kA)	2400±200(25kA) 4500±250(40kA)

Opening and closing coil parameters are shown in Table 3

Item	Closing coil	Opening coil	Note
Rated operating voltage(V)	AC110/220 DC110/220	AC110/220 DC110/220	The opening coil shall not open when it is less than 30% of the rated operating voltage
Coil power(W)	245	245	
Normal operating voltage range	85% -110% rated voltage	65% -120% rated voltage	

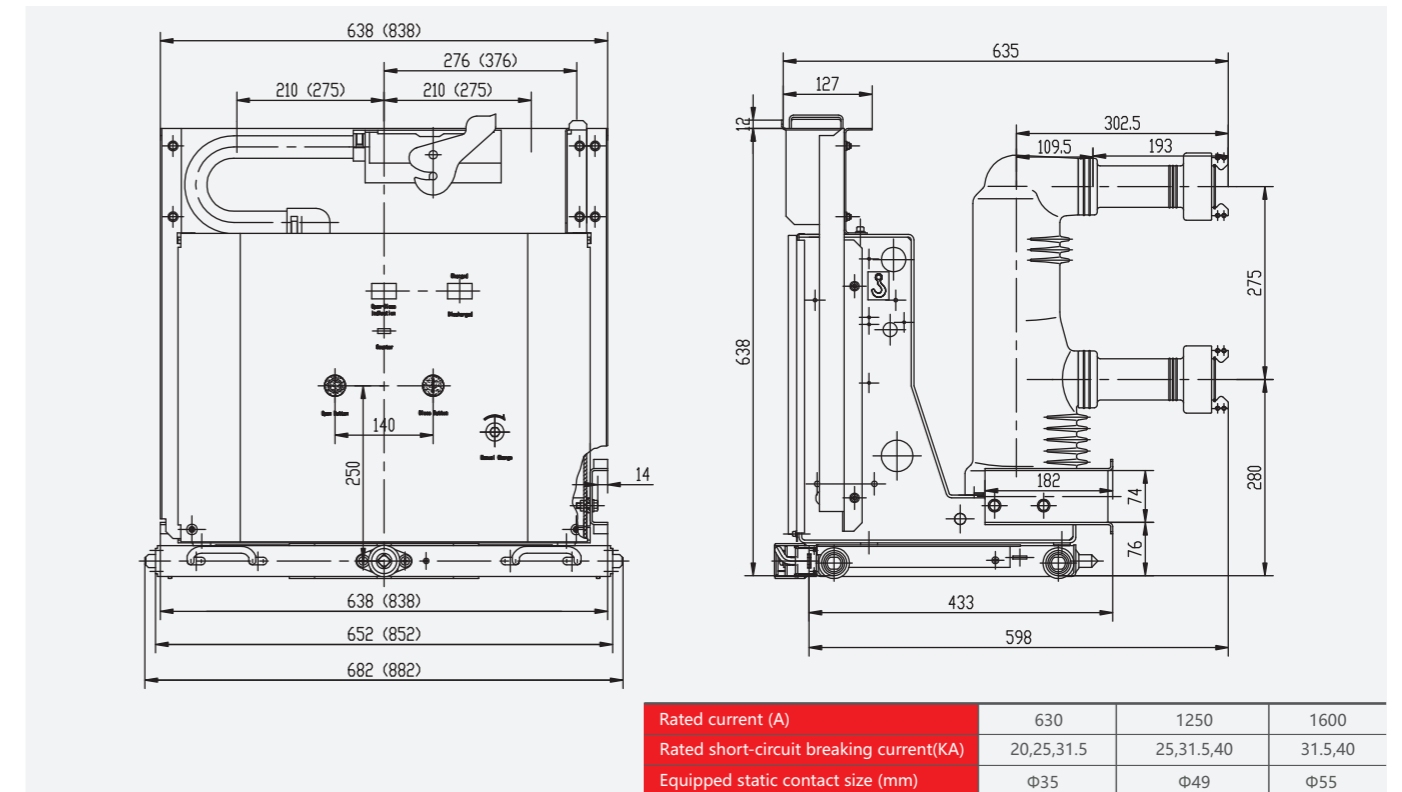
Energy storage motor parameters are shown in Table 4

Model	Rated voltage	Rated input power	Normal operating voltage range	Energy storage time at rated voltage
ZYJ55-1	DC110	70	85% -110% rated voltage	≤15
	DC220			

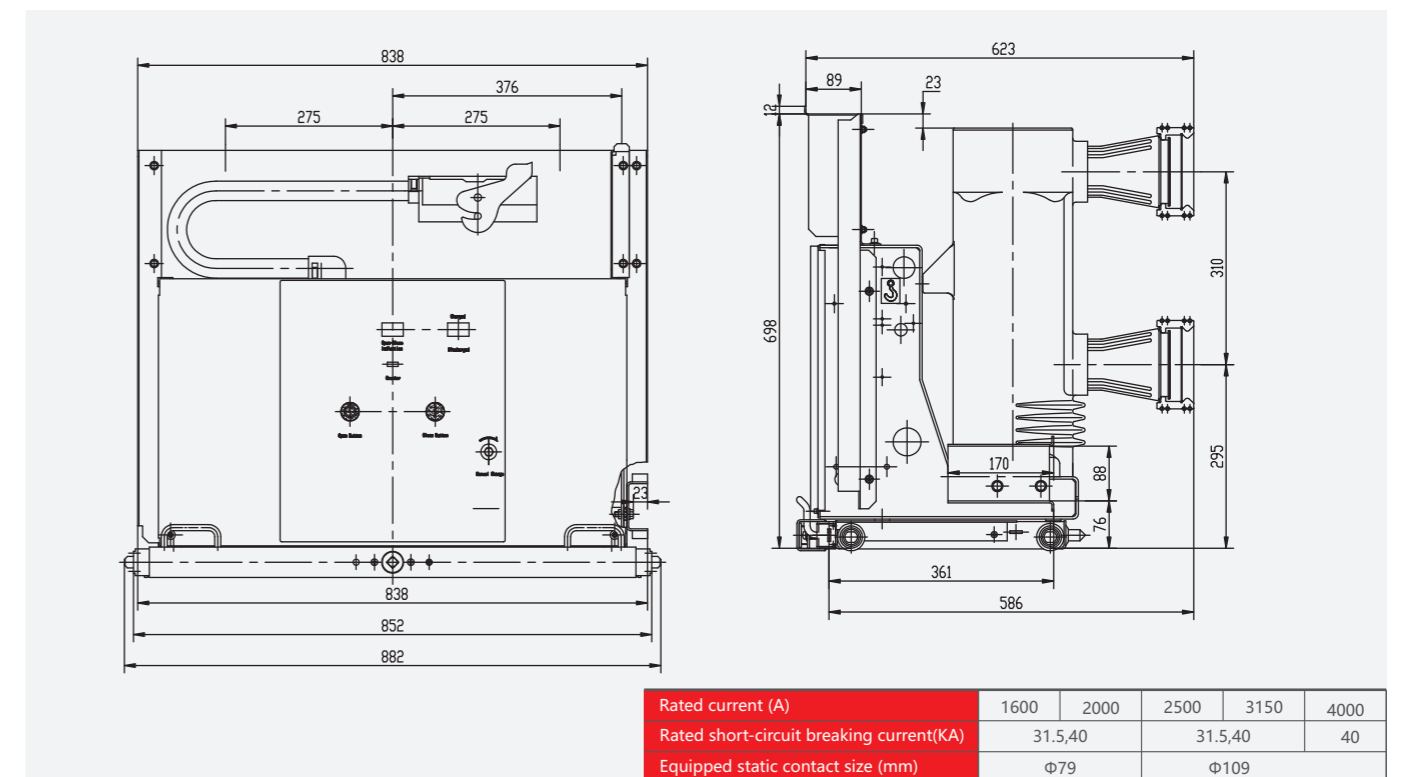
MV Circuit Breaker ZN63(VS1)-12P Indoor Vacuum Circuit Breaker (Solid Sealed)

Overall and mounting dimensions(mm)

Handcart type outline size drawing (suitable for 800mm cabinet)



Handcart type outline size drawing (applicable to 1000mm cabinet)



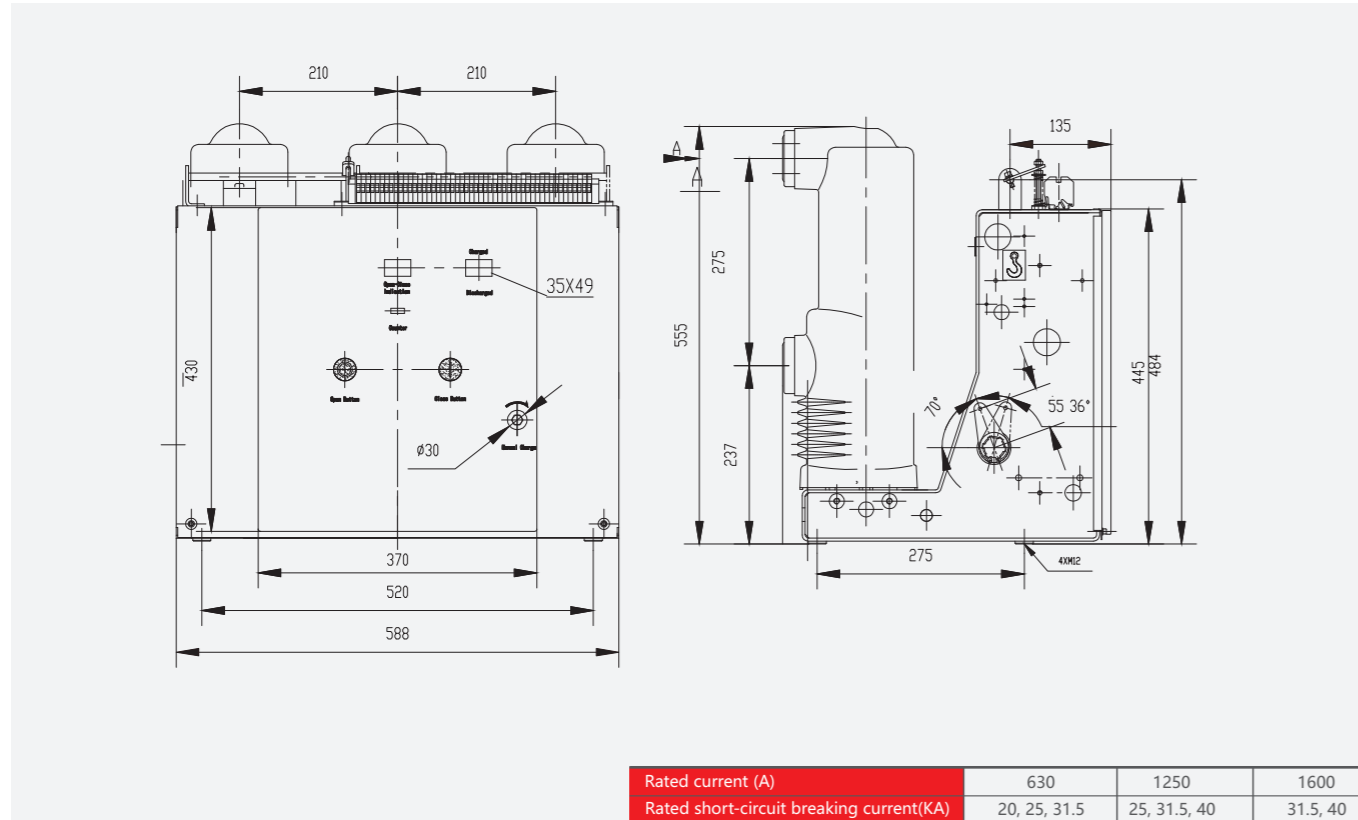
MV Circuit Breaker ZN63(VS1)-12P Indoor Vacuum Circuit Breaker (Solid Sealed)

POWER TRANSMISSION AND
DISTRIBUTION PRODUCT SELECTION

PROFESSIONAL MANUFACTURER OF
HIGH AND LOW VOLTAGE PRODUCTS



Fixed outline size drawing (for 800mm cabinet)

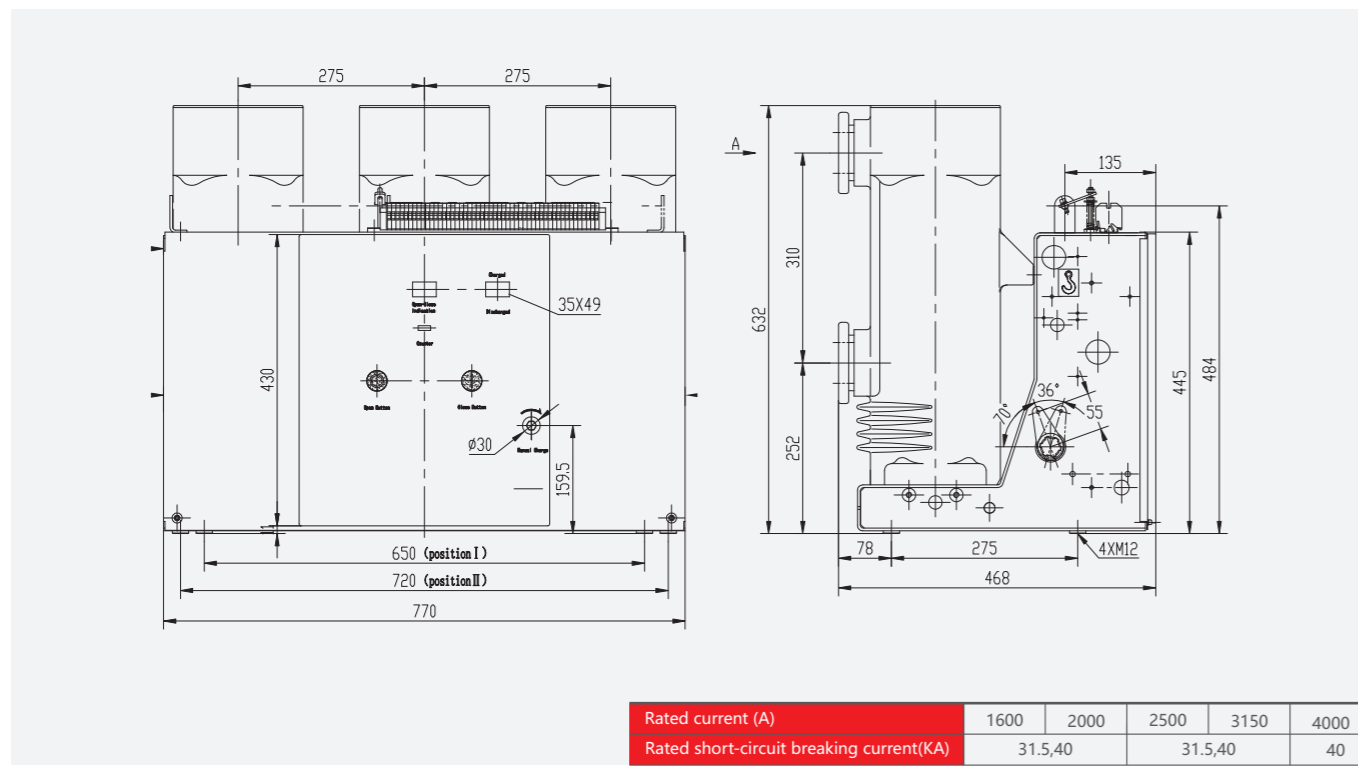


MV Circuit Breaker ZN63C-12 Indoor Side Mounted Vacuum Circuit Breaker

- ZN63C-12 series indoor AC MV vacuum circuit breaker (hereinafter referred to as circuit breaker) is an indoor switchgear with three-phase AC 50Hz and rated voltage of 12kV, which can be used for the control and protection of electrical facilities in industrial and mining enterprises, power plants and substations. It is suitable for places with frequent operations.
- The circuit breaker adopts an integrated design of the operating mechanism and the circuit breaker body, and is used as a fixed installation unit.
- Standard: IEC 62271-100

General

Fixed outline size drawing (applicable to 1000mm cabinet)



MV Circuit Breaker ZN63C-12 Indoor Side Mounted Vacuum Circuit Breaker

Selection

ZN63	C	-	12	P	/	T	630	-	25	FT	R	P210
Name	Structure	-	Rated voltage(KV)	Pole type	/	Operating mechanism	Rated current(A)	-	Rated short-circuit breaking current(KA)	Installation	Main circuit wiring direction	Phase distance
Indoor vacuum circuit breaker	Side operation	-	12:12KV	No mark: Insulating cylinder type P: Solid-sealing type	/	T: Spring type	630	-	20	FT: Fixed type	L : Left R: Right	P210
							1250					
							1600					
							2000					
							2500					
3150												
4000												

Note:

1. order a ZN63 side-mounted main circuit with right wiring, rated voltage 12KV, rated current 630A, rated short-circuit breaking current 25KA.

Operating conditions

1. The ambient temperature is not higher than +40°C and not lower than -15°C (storage and transportation at -30°C are allowed);
2. The altitude is not higher than 1000m;
3. Relative temperature: the daily average is not more than 95%, and the monthly average The value is not more than 90%, the daily average value of saturated vapor pressure is not more than 2.2×10⁻¹MPa, and the monthly average value is not more than 1.8×10MPa;
4. The seismic intensity does not exceed 8 degrees;
5. There is no fire, explosion hazard, serious pollution, Places subject to chemical corrosion and severe vibration.

Features

1. The arc extinguishing chamber and operating mechanism of the circuit breaker are arranged in a front-to-back configuration and connected as a whole through a transmission mechanism.
2. Depending on the design of the switchgear, the primary conductive output can be divided into right output and left output.
3. The main conductive circuit is primarily designed with an insulating cylinder, but it can also be designed with a fixed-sealing pole method.
4. The operating mechanism adopts a spring energy storage type and has both electric and manual energy storage functions.
5. It features an advanced and rational buffering device, ensuring no rebound during circuit interruption and reducing the impact and vibration during circuit breaking.
6. It requires minimal or no adjustments and requires very little maintenance or is maintenance-free.
7. The mechanical lifespan can reach 20,000 cycles.

MV Circuit Breaker ZN63C-12 Indoor Side Mounted Vacuum Circuit Breaker

Technical data

Technical datas are shown in Table 1

Item	Unit	Value	
Rated voltage		12	
Rated insulation level	KV	78 (Phase-to-phase) ,80 (Phase-to-phase)	
		42 (Phase-to-phase) ,48 (Phase-to-phase)	
Rated short-circuit breaking current(KA)	KA	25	31.5
Rated current	A	630,1250	630,1250,1600
Rated thermal stable current (effective value)	KV	25	31.5
Rated dynamic stable current (peak value)		63	80
Rated short-circuit making current (peak value)		63	80
Rated short-circuit breaking current breaking times	Times	50	
Secondary circuit power frequency withstand current	V/min	2000	
Rated operating sequence		"Opening -0.3s - closing and opening -180s - closing and opening "	
Rated thermal stability time	S	4	
Rated single/back to back capacitor bank breaking current	A	630/400	
Mechanical life		20000	

The mechanical characteristic parameters are shown in Table 2

Item	Unit	Value
Contact distance	mm	11±1,9±1 (Solid sealing type)
Contact travel		3.5±1
Average closing speed (6mm~contact closed)	m/s	0.4~0.8
Average opening speed (contact separation -6mm)		0.9~1.3
Opening time (rated voltage)	ms	20~50
Closing time (rated voltage)		35~70
Contact closing bounce time	ms	≤2
Three phase opening asynchrony		≤2
Allowable cumulative thickness of wear for moving and stationary contacts	mm	3
ain electrical circuit resistance	μΩ	≤ (630A) , ≤45 (1250A)
Contact pressure of closing contacts	N	2400±200 (KA) , 3100±200 (31.5KA)

Opening and closing coil parameters are shown in Table 3

Item	Closing coil	Opening coil	Value
Rated operating voltage	AC110/220 DC110/220	AC110/220 DC110/220	The opening coil shall not open when it is less than 30% of the rated operating voltage
Coil power	264	264	
Normal operating voltage range	85% -110% rated voltage	65% -120% rated voltage	

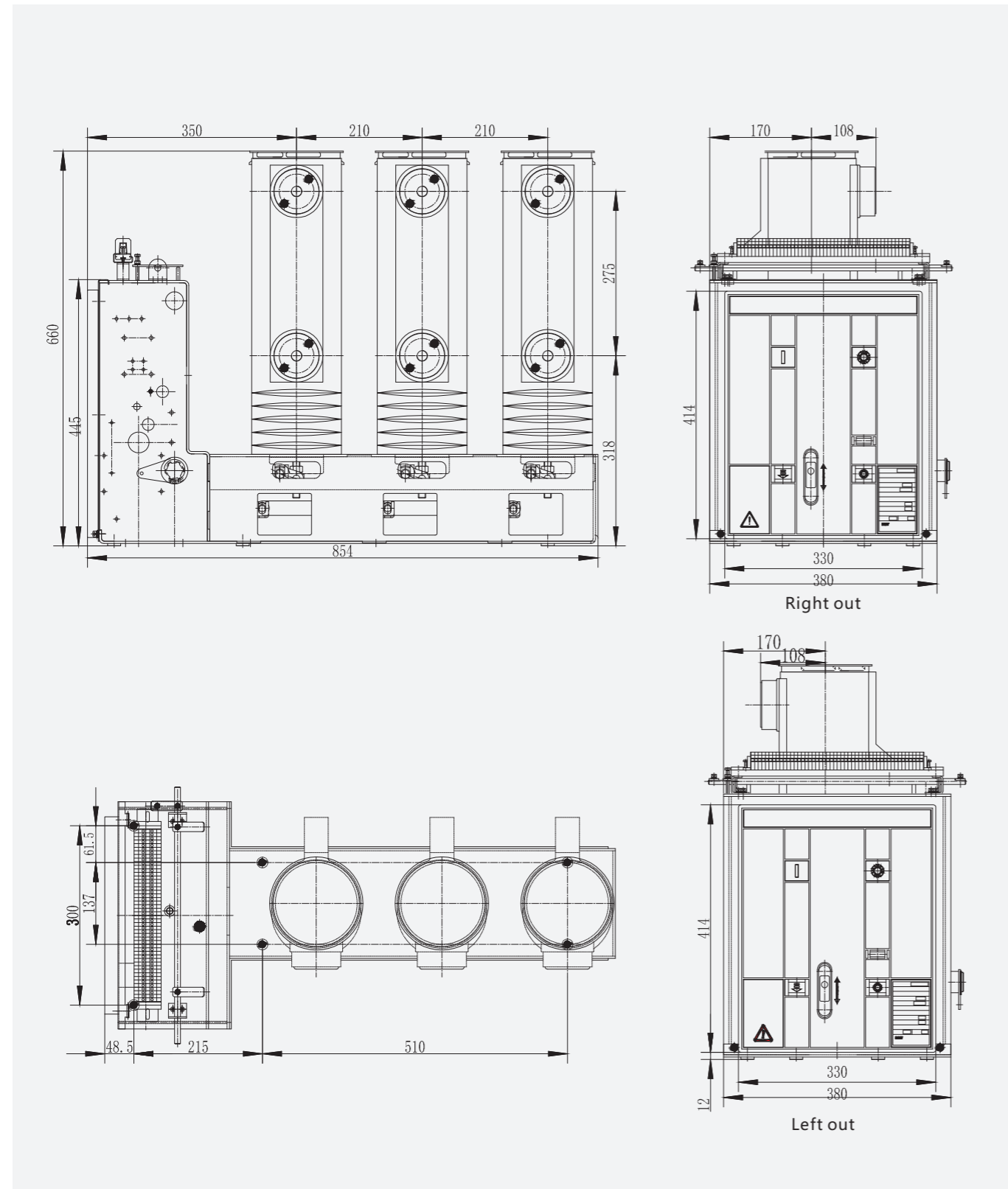
Energy storage motor parameters are shown in Table 4

Model	Rated voltage (V)	Rated input power (W)	Normal operating voltage (V)	Energy storage time at rated voltage (S)
ZYJ55-1	DC110 CD220	50~75	85% -110% rated voltage	≤15

MV Circuit Breaker
ZN63C-12 Indoor Side Mounted Vacuum Circuit Breaker

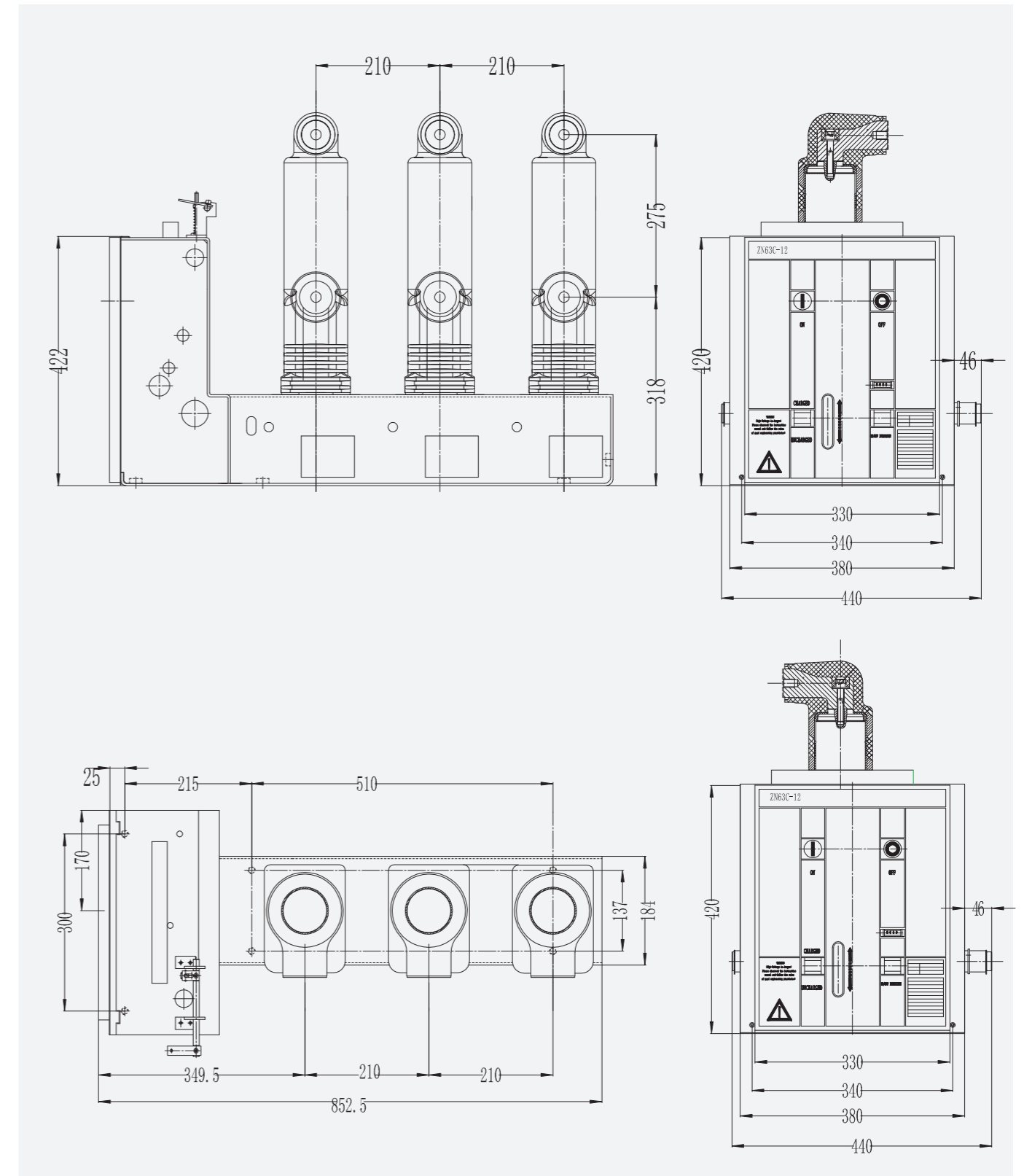
Overall and mounting dimensions(mm)

Fixed outline size drawing (insulation cylinder)



MV Circuit Breaker
ZN63C-12 Indoor Side Mounted Vacuum Circuit Breaker

Solid seal type outline dimension drawing (insulation cylinder)



MV Circuit Breaker ZN63M(VCM1)-12 Indoor Permanent Magnet Vacuum Circuit Breaker

- The ZN63M-12 vacuum circuit breaker adopts a permanent magnet operating mechanism, which is used to open and close various types of electric loads. It is suitable for occasions that operate frequently within the working current range and have certain requirements for the number of short-circuit breaking operations.
- Standard: IEC 62271-100

General



MV Circuit Breaker ZN63M(VCM1)-12 Indoor Permanent Magnet Vacuum Circuit Breaker

Selection

ZN63M	12	P	M	630	25	HT	P210
Name	Rated voltage(KV)	Pole type	Operating mechanism	Rated current(A)	Rated short-circuit breaking current(KA)	Installation	Phase spacing
Indoor vacuum circuit breaker	12:12KV	No mark: Insulating cylinder type P Solid-sealing type	M: Insulating cylinder type permanent magne	630, 1250, 1600, 2000, 2500, 3150, 4000	20, 25, 31.5, 40	HT: Handcart FT: Fixed type	P150, P210, P275

Note:

The phase spacing of ZN63-12□M is usually P210mm, which is not marked on the model

Operating conditions

- Ambient temperature: upper limit +40°C; lower limit -25°C.
- Altitude: altitude not higher than 1000m.
- Relative humidity: daily average value is not more than 95%, monthly average value is not more than 90%; saturated vapor pressure : The daily average value is not greater than 2.2kPa, and the monthly average value is not greater than 1.8kPa.
- Earthquake intensity: less than 8.
- The amplitude of electromagnetic interference induced in the secondary system does not exceed 1.6kV. This product complies with relevant national standards and The industry standard requires that it be installed in a place without fire, explosion hazard, corrosive gas and severe vibration.

Features

- The arc extinguishing chamber and operating mechanism of the circuit breaker are arranged in a front-to-back configuration and connected as a single unit through a transmission mechanism.
- The operating mechanism employs a permanent magnet mechanism and has functions for electrically closing and opening the circuit as well as manually emergency tripping.
- The permanent magnet mechanism adopts a dual stable state form, characterized by intelligence, high reliability, long lifespan, and maintenance-free operation.
- During the operation of the circuit breaker, the energy of the permanent magnet mechanism is transferred to the linkage mechanism, which then transmits it to the moving contact part.
- The control circuit module exhibits high reliability and can withstand harsh conditions such as lightning strikes and surges during operation.
- The energy storage module adopts capacitor energy storage, characterized by short energy storage time and long lifespan.
- The mechanical lifespan is not less than 20,000 cycles.

MV Circuit Breaker ZN63M(VCM1)-12 Indoor Permanent Magnet Vacuum Circuit Breaker

Technical data

Technical datas are shown in Table 1

Item	Unit	Value			
Rated voltage	kV	12			
Rated insulation level		Rated lightning impulse withstand voltage (peak)			
		75			
	1min power frequency withstand voltage				
	42				
Rated current	A	630 1250	630, 1250, 1600, 2000, 2500, 3150	1250, 1600, 2000, 2500, 3150, 4000	
Rated short circuit breaking current(KA)	KA	20	25	31.5	40
Rated thermal stable current (effective value)	KA	20	25	31.5	40
Rated dynamic stable current (peak value)		50	63	80	100
Rated short-circuit making current (peak value)		50	63	80	100
Rated short-circuit breaking current breaking times	Times	30	30	30	30
Secondary circuit power frequency withstand current	V	2000			
Rated operating sequence	/	Opening -0.3s - closing and opening - 180s - closing and opening -180s - closing and opening -180s - closing and opening (40kA)			
Rated thermal stability time	s	4			
Rated single/back to back capacitor bank breaking current	A	630/400		800/400	
Mechanical life	Times	20000		10000	

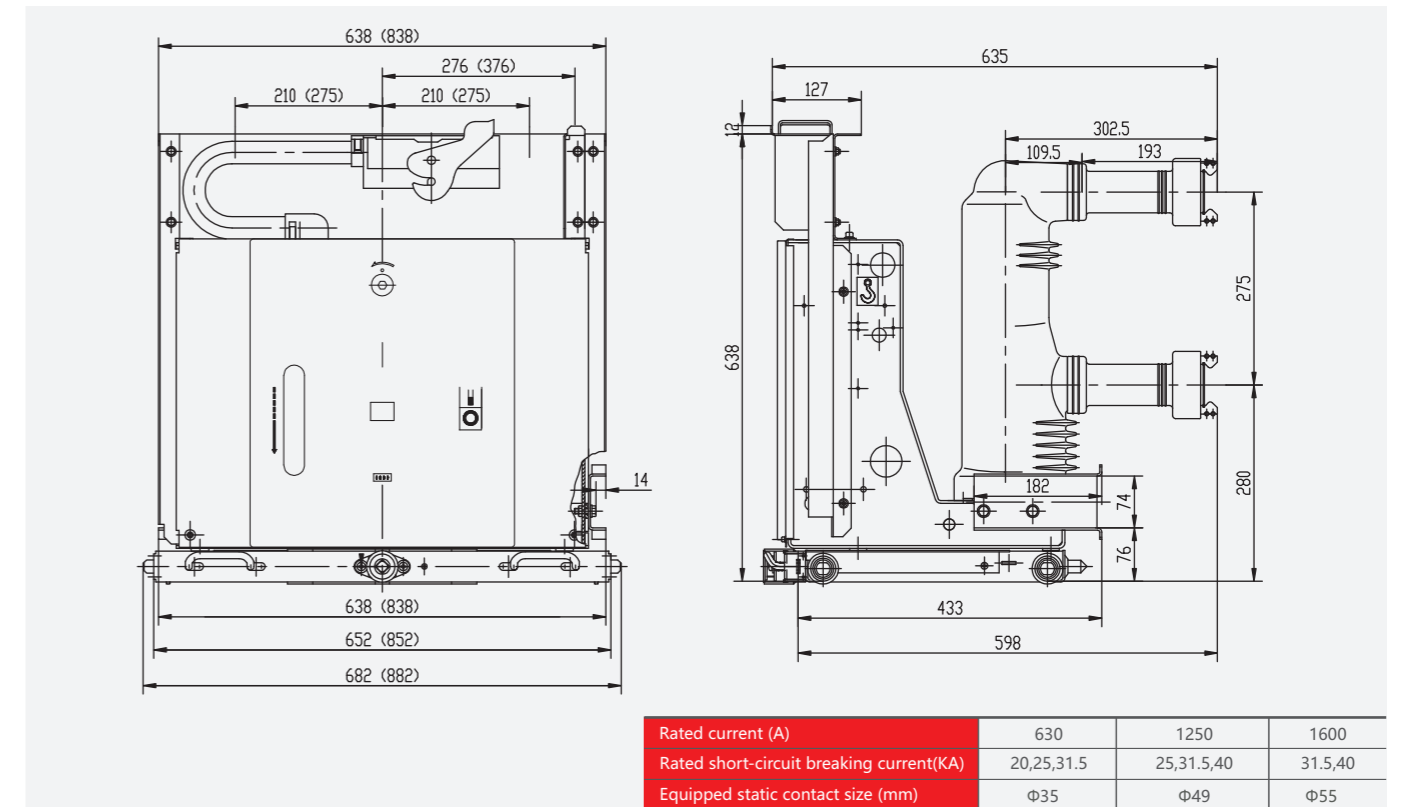
The mechanical characteristic parameters are shown in Table 2

Item	Unit	Parameter
Contact travel	mm	11±1(Solid-sealing 9±1)
Contact overtravel	mm	3.0±0.5
Closing speed	m/s	0.6±0.2
Opening speed	m/s	1.0±0.2
Contact closing bounce time	ms	≤2
Three phase closing and opening asynchrony	ms	≤2
Closing time	ms	20≤t≤75
Opening time	ms	13≤t≤65
Permanent magnet drive power supply voltage	V	DC220
Energy storage time	s	< 10
Closing control voltage	V	AC/DC 110 , AC/DC 220
Opening control voltage	V	AC/DC 110 , AC/DC 220
Main circuit resistance	μΩ	≤45
Phase spacing	mm	150/210/275(40kA)

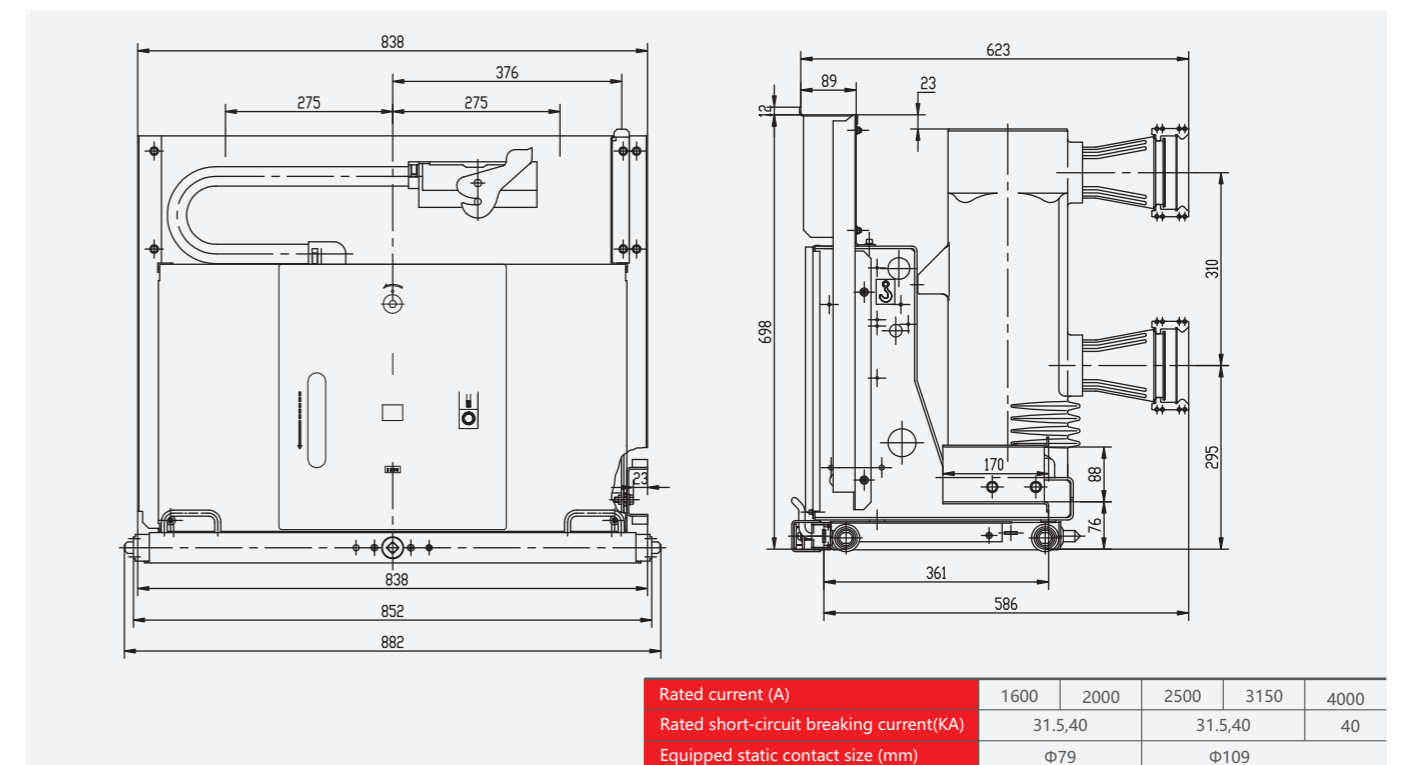
MV Circuit Breaker ZN63M(VCM1)-12 Indoor Permanent Magnet Vacuum Circuit Breaker

Overall and mounting dimensions(mm)

Handcart type outline size drawing (suitable for 800mm cabinet)



Handcart type outline size drawing (applicable to 1000mm cabinet)



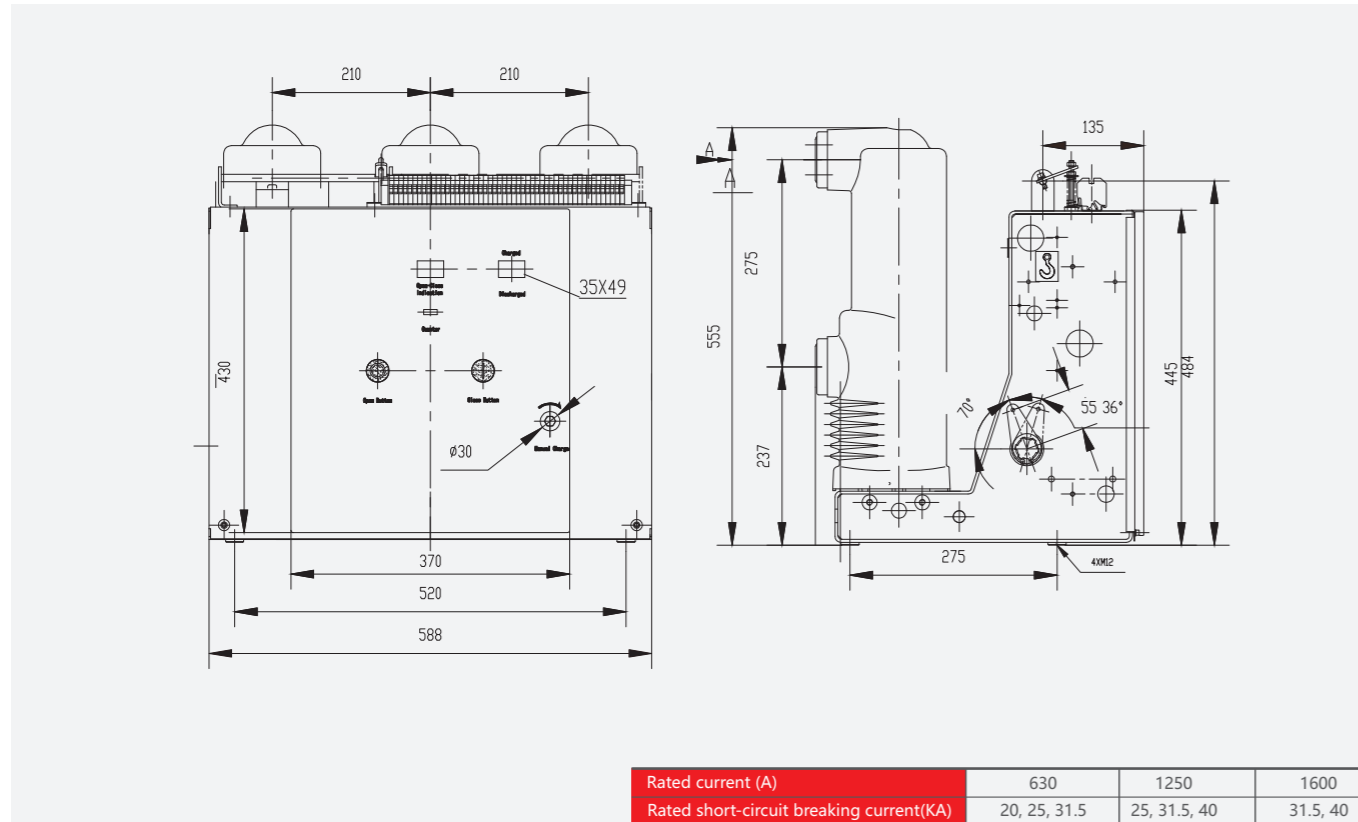
MV Circuit Breaker ZN63M(VCM1)-12 Indoor Permanent Magnet Vacuum Circuit Breaker

POWER TRANSMISSION AND
DISTRIBUTION PRODUCT SELECTION

PROFESSIONAL MANUFACTURER OF
HIGH AND LOW VOLTAGE PRODUCTS



Fixed outline size drawing (for 800mm cabinet)

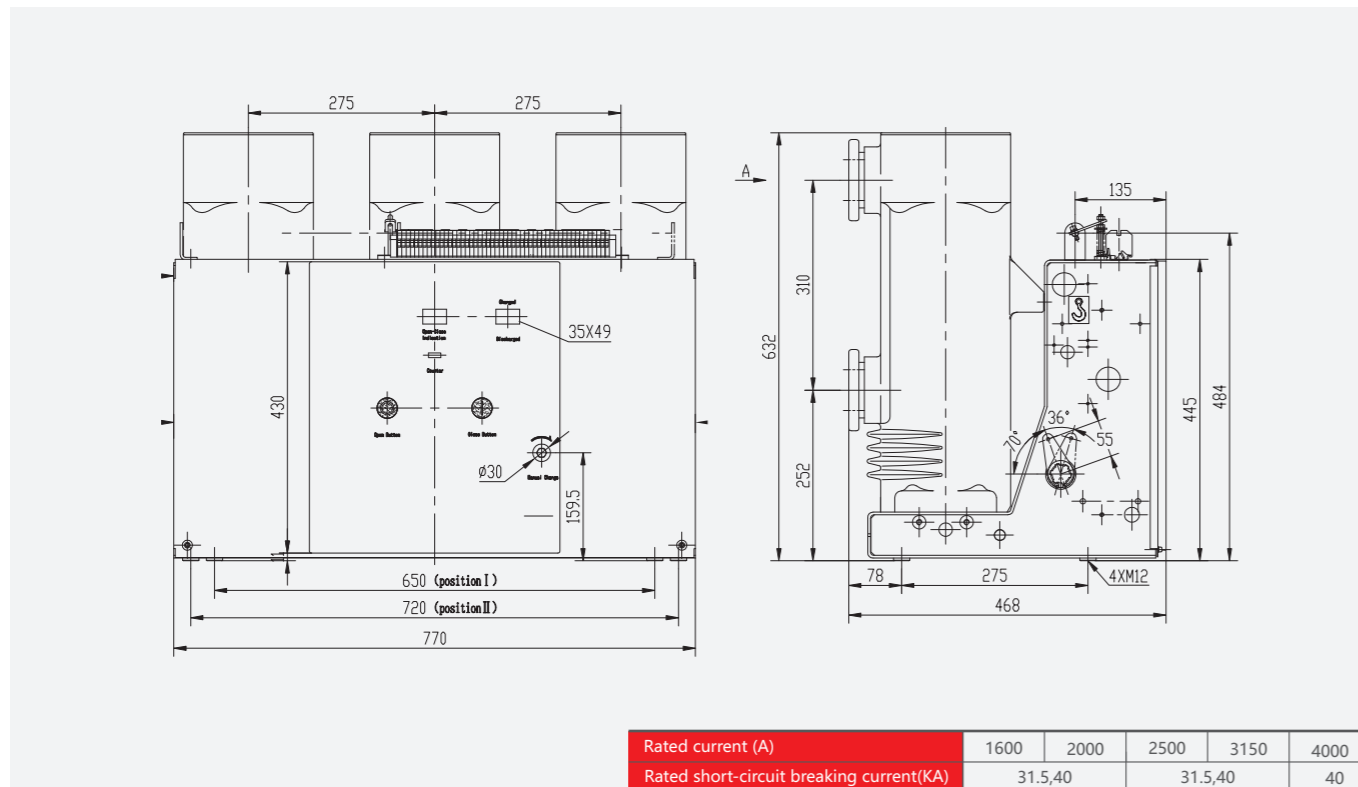


MV Circuit Breaker ZN63(VS1)-24 Indoor Vacuum Circuit Breaker

- ZN63(VS1)-24 series indoor AC MV vacuum circuit breaker is an indoor switchgear for three-phase AC 50Hz, rated voltage 4KV power system. The market combines years of professional production experience to develop and design a new generation of vacuum circuit breakers.
- Standard: IEC 62271-100

General

ZN63(VS1) -12 s fixed outline size drawing (for 1000 mm cabinet)



MV Circuit Breaker ZN63(VS1)-24 Indoor Vacuum Circuit Breaker

Selection

ZN63	-	24	P	/	T	630	-	25	HT	P210
Name	-	Rated voltage(KV)	Pole type	/	Operating mechanism	Rated current(A)	-	Rated short-circuit breaking current(KA)	Installation	Main circuit wiring direction
Indoor vacuum circuit breaker	-	24:24KV	No mark: Insulating cylinder type P: Solid-sealing type	/	T: Spring type	630	-	20	HT:Handcart type FT:Fixed type	P210 P275
						1250				
						1600				
						2000				
						2500				
						3150				
4000										

Note:

Zn63 (S) adopts a double spring integral mechanism by default. If a single spring modular mechanism is required, a single spring needs to be added to the model backup;

Operating conditions

- Altitude: 1000m and below;
- Environmental temperature: upper limit+40 °C, lower limit -25 °C;
- Relative humidity: daily average relative humidity not exceeding 95%, monthly average relative humidity not exceeding 90%, saturated vapor pressure: daily average not exceeding 2.2×10 MPa, monthly average not greater than 1.8×10 Mpa.
- Seismic intensity not exceeding 8 degrees;
- A place free from flammable, explosive, or chemically corrosive substances and intense vibrations.

Features

- The adoption of a new generation modular spring operating mechanism, which features a compact, simple, well-designed structure, reliable transmission, and easy installation.
- Integration of the operating mechanism and circuit breaker body: it can be used as a fixed installation unit or combined with a dedicated propulsion mechanism to form a handcart unit.
- The main power circuit primarily utilizes a solid-sealed pole, and an insulation simplification method can also be selected.
- The main circuit incorporates a solid insulation structure with an integrated solid-sealed pole, achieving maintenance-free, high reliability, and compact size.
- The circuit breaker is an E2 grade breaker.
- The cabinet is equipped with comprehensive five-protection interlocking functions.

MV Circuit Breaker ZN63(VS1)-24 Indoor Vacuum Circuit Breaker

Technical data

Technical datas are shown in Table 1

Item		Unit	Value		
Rated voltage		kv	24		
Rated frequency		Hz	50		
Rated current		A	630 1250	1250 1600 2000 2500 3150	
Rated insulation level	1min p.f Wuthstand voltage	between pole to earth	65		
		Separation point	79		
	Rated lightning impulse resistance voltage	between pole to earth	125		
		Separation point	145		
4s rated short time withstand current		kA	20	25	31.5
Rated short circuit breaking current			20	25	31.5
Rated peak thstand current			50	63	80
Rated short circuit maing curren			50	63	80
Rated short-circuit duration		S	4		
Rated breaking current at the fsult of different pbasesearthed		kA	17.4	21.7	27.4
Rated operation sequence			O-0.3s-CO-18os-CO		
Rated operation voltage		V	DC(AC)220/110		
Electrical endurannce			E2 (grade)*		
Endurannce endurannce		Time	20000		

Note:

- When the rated current is 3150A, forced air cooling is required
- The GB1984-2003 electrical life B2 standard is implemented, and the number of short-circuit current interruptions is 274 times.

MV Circuit Breaker ZN63(VS1)-24 Indoor Vacuum Circuit Breaker

The mechanical characteristic parameters of the circuit breaker are shown in Table 2

Item	Unit	Value						
Opening distance of contact	mm	13±1						
Over-travel distance of contact		4±1						
Cental distance between poles		210,275						
Permissible abrasiom thickness of the contact		3						
Average opening speed (6nm just opening)	m/s	1.3±0.3						
Average closing speed		0.6±0.2						
Jumping time after contact closed.	ms	≤2						
Asynchrony of throo phase closing, opening		≤2						
Main circuit resistance	Rated current	A	630	1250	1600	2000	2500	3150
	Fixed type breaker	μΩ	≤50	≤45	≤35	≤35	≤30	≤25
	Truck type breaker		≤55	≤50	≤50	≤40	≤35	≤30
Opening time	ms	≤50						
Closing time		≤75						
Operating performances ofoperating mechnise	85%~110%(rated voltage)	Reliably close						
	85%~110%(rated voltage)	Reliably open						
	≤30%(rated voltage)	Not open						

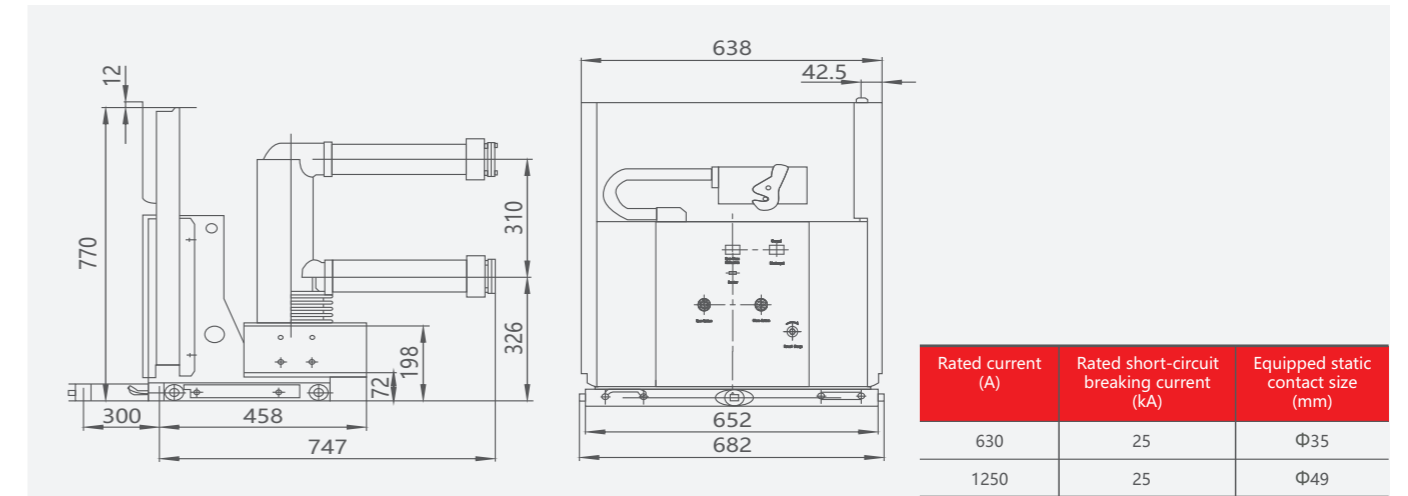
Main technical data of operating mechanism as sheet 3

Item	Unit	Value
Rated oprating voltage for opening	V	AC/DC220V、AC/DC110V
Rated operating voltage for closing		AC/DC220V、AC/DC110V
Rated instantaneous over-current tripping curent	A	5/3.5
Rated voltage for charging mnotor	V	AC/DC220V、AC/DC110V
Rated output power of charging motor	W	70
Charging time	S	≤10
1min p.f withstland voltage on secondary circnit	V	2000

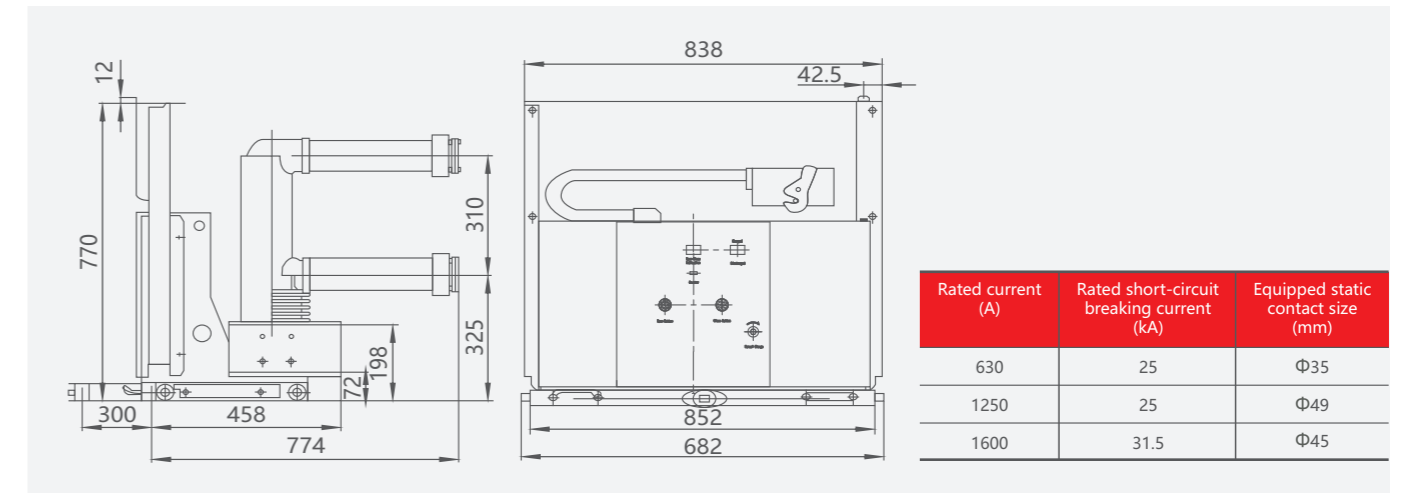
MV Circuit Breaker ZN63(VS1)-24 Indoor Vacuum Circuit Breaker

Overall and mounting dimensions(mm)

ZN63(VS1)-24 hand car phase distance 210 outline dimensions (small solid sealed pole type)

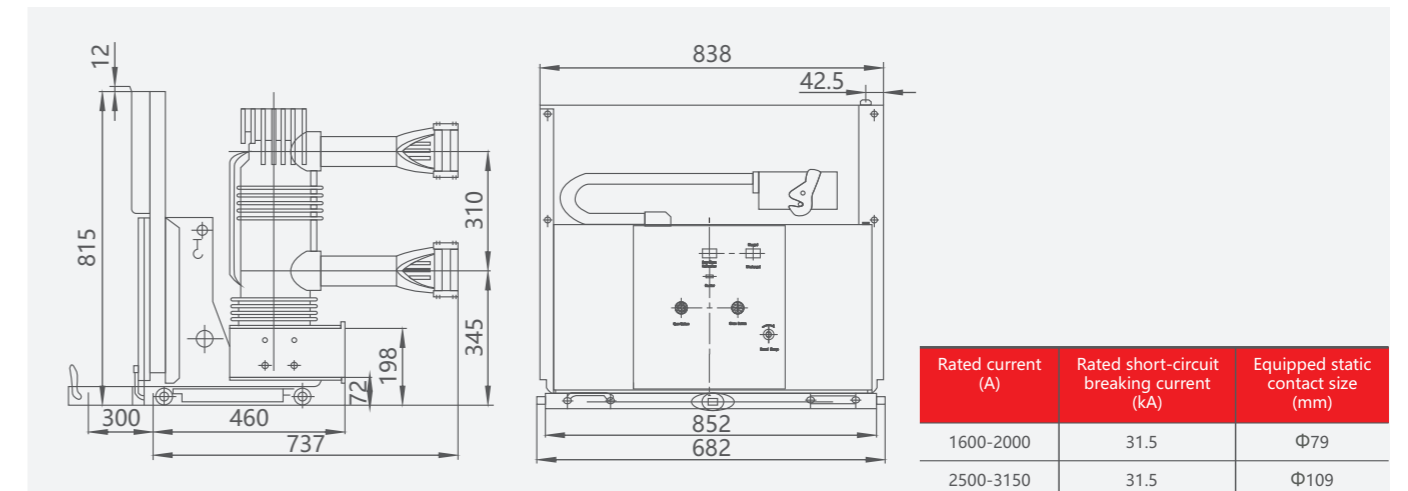


ZN63(VS1)-24 hand car phase distance 275 outline dimensions (small solid sealed pole type)



1600

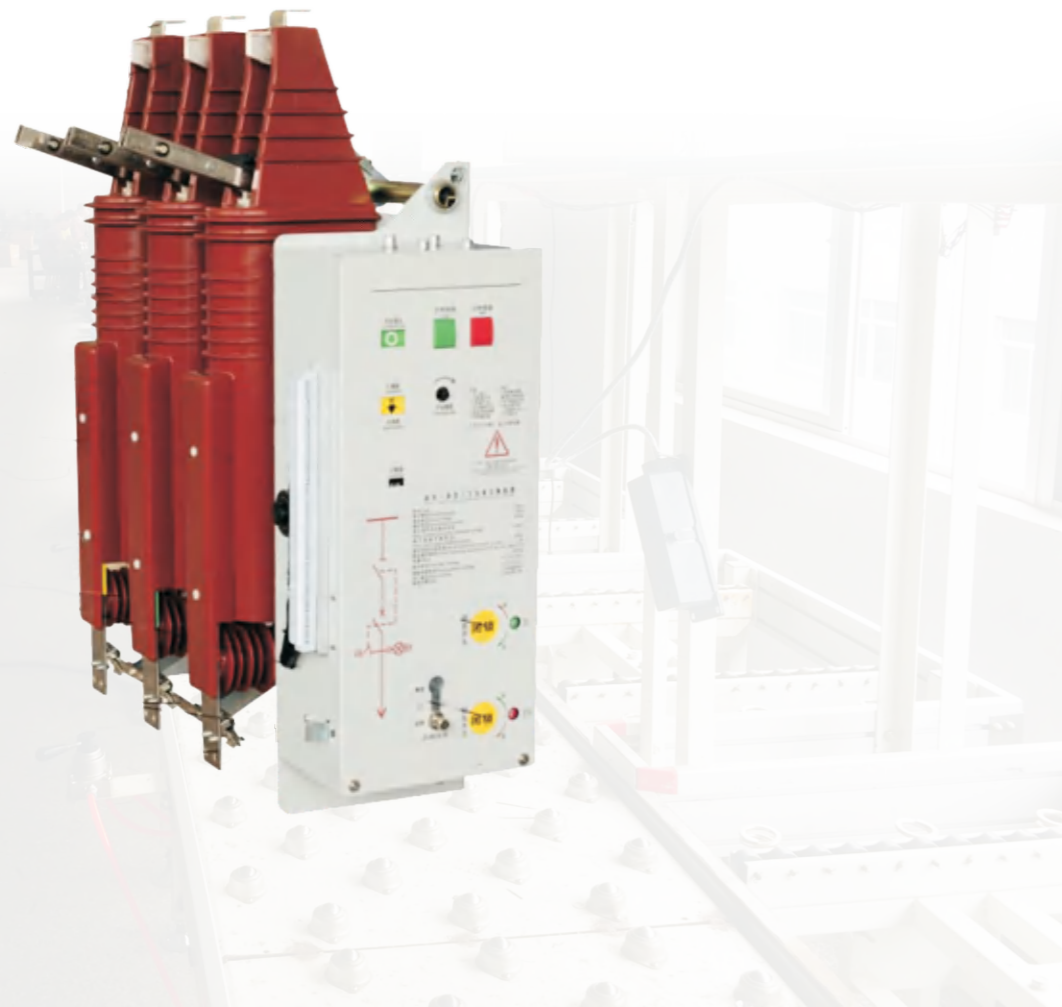
ZN63(VS1)-24 hand car phase distance 275 outline dimensions (big solid sealed pole type)



MV Circuit Breaker YVF-12GD Indoor Three Position Vacuum Circuit Breaker

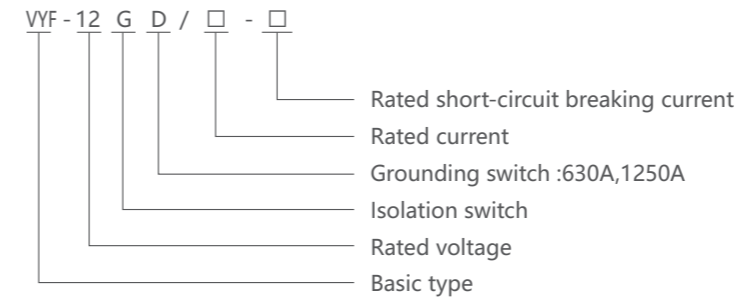
- The YVF-12GD series three-position combined vacuum circuit breaker adopts a modular framework structure, integrating vacuum circuit breaker, isolation switch, grounding switch, interlocking mechanism, and operating mechanism, with excellent electrical and mechanical performance.
- Mainly used in three-phase AC 50HZ power systems with a rated voltage of 3.6KV-12KV, for control and protection purposes in industrial and mining enterprises, power plants, and substations. It is a new generation of high-performance miniaturized medium voltage electrical products.
- Standard: IEC 62271-100

General



MV Circuit Breaker YVF-12GD Indoor Three Position Vacuum Circuit Breaker

Selection



Note:

If there is no grounding switch, the grounding operation shaft acts as an interlocking shaft, and the external dimensions remain unchanged.

Operating conditions

- Ambient temperature: -25°C +40°C;
- Relative humidity: daily average <95%, monthly average <90%;
- Altitude: not higher than 1000m;
- Earthquake intensity: no more than 8 degrees;
- Place of use: No explosion hazard, chemical and severe vibration and pollution.
- Service conditions above an altitude of 1000 meters
- When the altitude exceeds 1000 meters, the air density will decrease relatively, which will affect the protection factor of electrical appliances.

Features

• Safe and excellent solid-sealed pole

High reliability, stable insulation performance, stronger structure, miniaturization, maintenance-free, more environmentally friendly, high mechanical resistance"

• Visual isolation fracture

Rotary isolation switch with visible fracture after opening"

• Modular operating mechanism

The circuit breaker adopts a modular operating mechanism, which can be independently replaced or repaired, and has good interchangeability. It can be manually operated, as well as AC and DC energy storage operations to achieve remote control

• Three-axis step-by-step operation, reliable mechanical interlock

The isolation switch, circuit breaker, and grounding switch are operated separately on one axis, and there is a forced mechanical interlocking between the three axes to prevent misoperation

• Outgoing terminal with non-contact live display sensor

No capacitance, non-contact induction technology, safe and reliable

• Cabinet door and connecting switch are designed with reliable interlocking structure

Ensure operator safety with adjustment-free cabinet door latching

MV Circuit Breaker

VYF-12GD Indoor Three Position Vacuum Circuit Breaker

Technical data

Item	Unit	Parameter		
Rated voltage		12		
(1min) Rated short-time power frequency withstand voltage: phase to phase/break	kV	42/48		
Rated lightning impulse withstand voltage(peak): phase-to-phase/break		75/85		
Secondary circuit power frequency withstand voltage (1min)	V	2000		
Rated frequency	Hz	50		
Rated current	A	630,1250		
Rated short-circuit breaking current	kA	20	25	20
Rated peak withstand current	kA	50	63	50
Rated short-circuit making current	kA	50	63	50
4s rated short-time withstand current	kA	20	25	20
Rated short-time withstand current duration	S	4		
Rated single/back to back capacitor bank breaking current	A	630/400		
Rated capacitor bank making inrush current	kA	12.5(HZ≤1000Hz)		
Rated short-circuit current breaking times	Times	30		
Mechanical life (isolation switch/circuit breaker/grounding switch)		3000/10000/3000		
The accumulative thickness of allowable wear of moving and static contacts	mm	3		
Rated closing operating voltage	V	AC24/48/110/220 DC24/48/110/220		
Rated opening operating voltage		AC24/48/110/220 DC24/48/110/220		
Rated voltage of energy storage motor	V	AC24/48/110/220 DC24/48/110/220		
Rated power of energy storage motor	W	70		
Energy storage time	s	≤15		
Contact distance	mm	9±1		
Overtravel		3.5±1		
Contact closing bounce time	ms	< 5		
Three-phase opening and closing asynchronous		≤2		
Opening time (rated voltage)		≤40		
Closing time (rated voltage)		≤60		
Average opening speed (contact just opened ~ 6mm)	m/s	0.9~1.3		
Average closing speed (6mm~ contact just closed)		0.4-0.8		
Contact opening rebound amplitude	mm	≤2		
Contact closing contact pressure	N	2400±200 (20-25kA) 3100+200(31.5kA)		
Rated operating sequence		O-0.3s-CO-180s-CO		

MV Circuit Breaker

VYF-12GD Indoor Three Position Vacuum Circuit Breaker

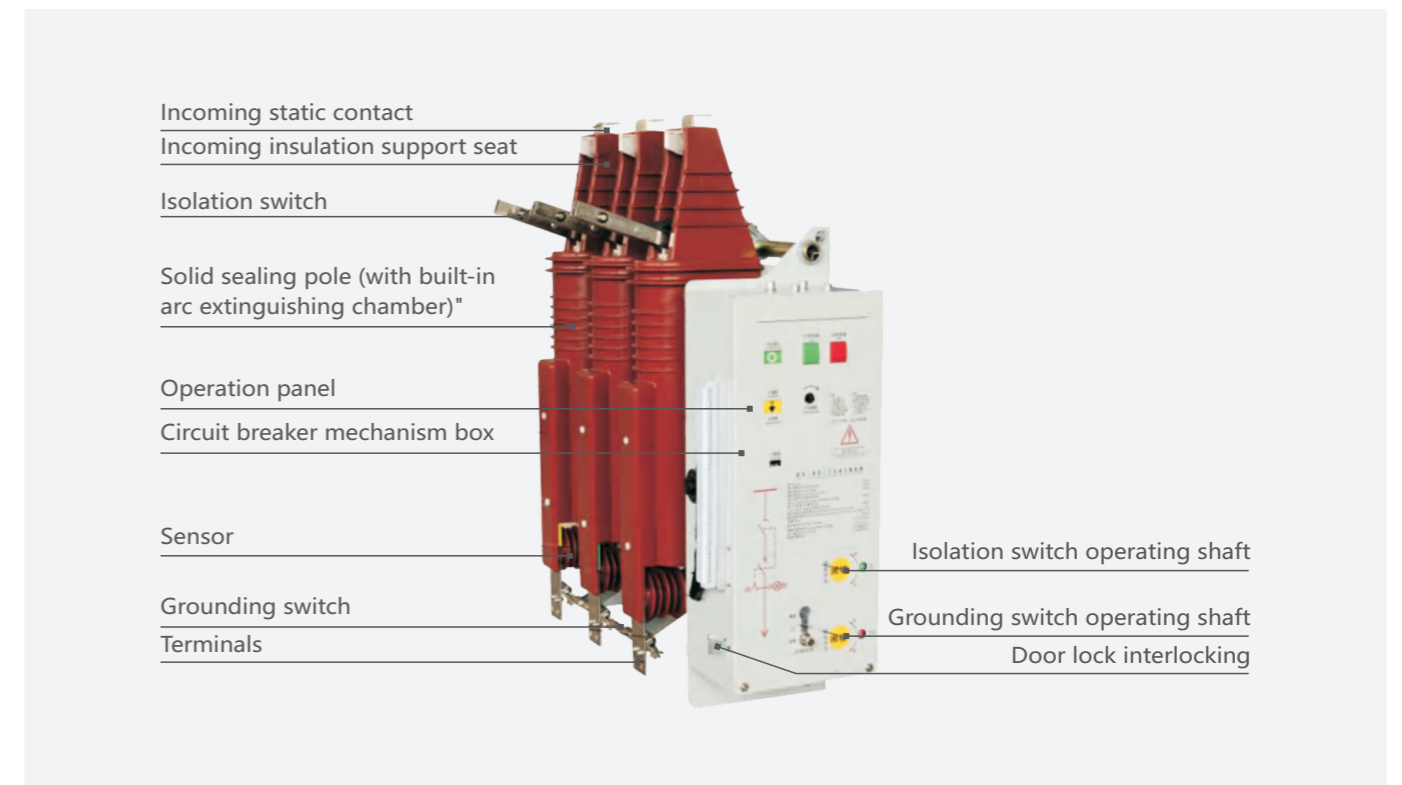
Configuration

Standard configuration: Wiring according to the standard wiring diagram, including anti-tripping device, no locking device, no over-current device, no under-voltage device

Item	Parameter	Note
Energy storage motor	75W	Standard
Closing coil	A(D)C24~220V	Standard
Opening coil	A(D)C24~220V	Standard
Isolation switch auxiliary switch	1Open1Close5A	Standard
Grounding switch auxiliary switch	1Open1Close5A	Standard
Energy storage mechanism auxiliary switch	2Open1Close5A	Standard
Circuit breaker auxiliary Switch	8Open8Close5A	Standard
Anti-trip device	A(D)C24~220V	Standard
Live sensor (inductive)	Non-contact	Standard
Locking device	A(D)C24~220V	Optional
Overcurrent release	3.5A、5A	Optional
Undervoltage device	A(D)C24~220V	Optional

Applicable cabinet type

It can be assembled in small fixed cabinets, ring network cabinets or box transformers. The main circuit of VYF-12GD series three-position combined vacuum circuit breaker is arranged longitudinally. The upper part is an isolation switch, the middle part is a vacuum circuit breaker, and the lower part is a grounding switch. Detector mechanism, interlocking mechanism 1 are positioned at switch front, and this switch can be installed upside down.



MV Circuit Breaker

ZN28(A)-40.5 Indoor Vacuum Circuit Breaker

- ZN28-12 indoor MV vacuum circuit breaker is high indoor switch equipment of three-phase AC 50Hz, rated voltage 12kV. The product conforms to the GB1984-89 standard, the product structure has two forms: the switch body and the actuator is mounted together or switch body and actuator installed separately. Integrated structure is ZN28-12 basic model; split structure is ZN28A-12 type, suitable for various kinds of fixed type switch cabinet, such as GG-1A (Z), XGNZ-10 (Z) etc..
- It can be equipped with CD17 type DC electromagnetic actuator and CT17, CT19 spring type operating mechanism.

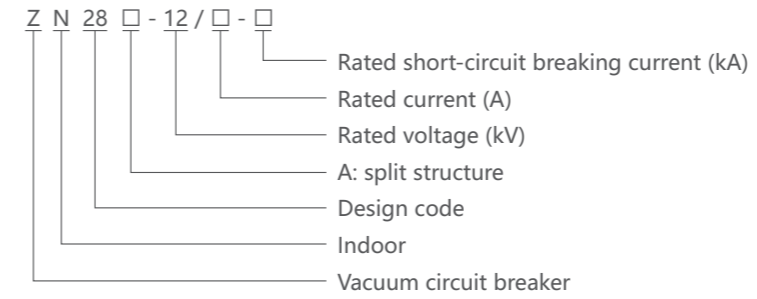
General



MV Circuit Breaker

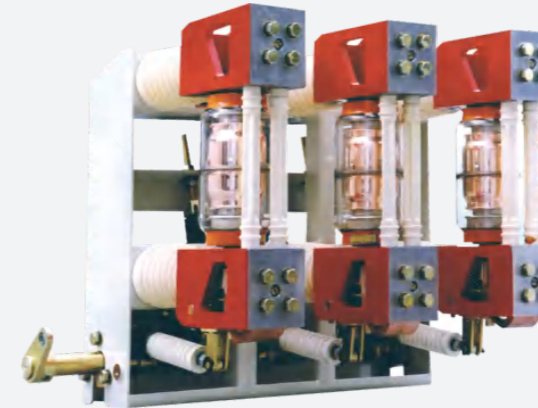
ZN28(A)-40.5 Indoor Vacuum Circuit Breaker

Selection



Operating conditions

- The environment temperature: upper limit +40°C, lower limit -15°C;
- Altitude: ≤2000m;
- Relative humidity: daily average value is not greater than 95%, monthly average is not greater than 90%;
- Earthquake intensity: less than 8 degrees;
- No fire, explosion, pollution, chemical corrosion and severe vibration place.



ZN28A-12



ZN28-12

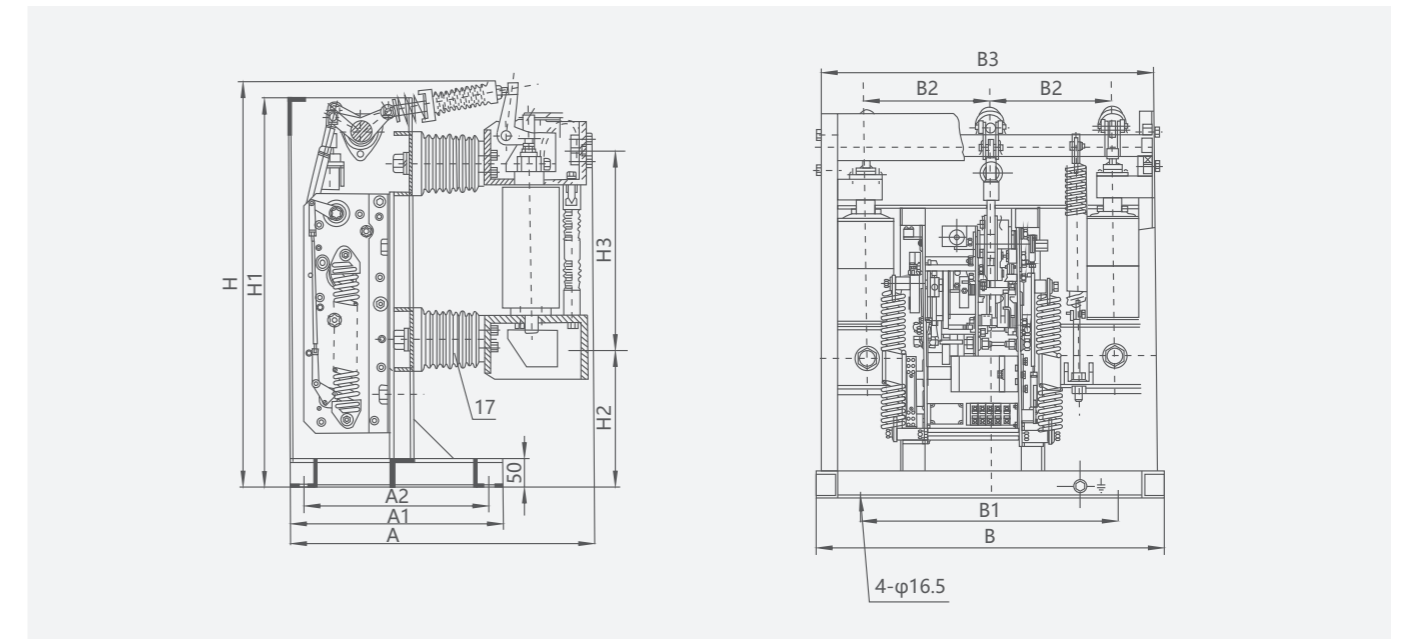
MV Circuit Breaker ZN28(A)-40.5 Indoor Vacuum Circuit Breaker

Technical data

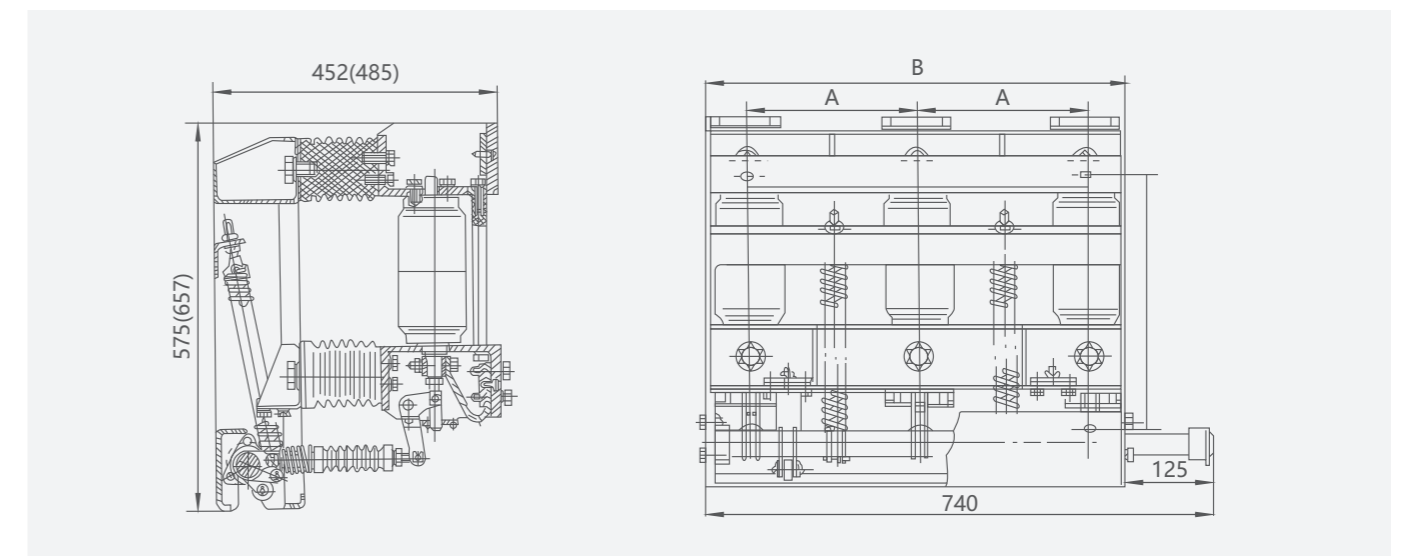
Item	Unit	Parameter			
Parameters of voltage, current, life					
Rated voltage	kV	12			
Rated short time power frequency withstand voltage (1min)	kV	42			
Rated lightning impulse withstand voltage (peak)	kV	75			
Rated frequency	Hz	50			
Rated current	A	630	630	1250	1600
		1250	1250	2000	2500
Rated short-circuit breaking current	kA	20	25	31.5	40
Rated short-time withstand current (RMS)	kA	20	25	31.5	40
Rated peak withstand current	kA	50	63	80	100
Rated short-circuit closing current	kA	50	63	80	100
Rated single / back-to-back capacitor bank breaking current	A	630/400			
Rated short-circuit current duration	S	4			
Rated short-circuit current breaking times	Times	50		30	
Rated operating sequence		O-t-CO-180s-CO rated short-circuit breaking current less than 31.5kA, t=0.3s rated short-circuit breaking current 40kA, t=180s			
Rated operation voltage		≅ 220/110			
Mechanical life	Times	≥10000			
Mechanical property parameters					
Open clearance between contacts	mm	11±1			
Overtravel	mm	4±1			
Contact closing bounce time	ms	≤2		≤3	
Three-phase, switching synchronism	ms	≤2			
Average opening speed	m/s	0.9~1.3			
Average closing speed	m/s	0.4~0.8			
Opening time (rated voltage)	ms	≤60			
Closing time (rated voltage)	ms	≤100			

MV Circuit Breaker ZN28(A)-40.5 Indoor Vacuum Circuit Breaker

Overall and mounting dimensions(mm)



Type	H	H1	H2	H3	A	A1	A2	B	B1	B2	B3
ZN28-12/T ²⁵⁰⁰ / ₃₁₅₀ -40	780	700	268	371	581	450	390	700	560	275	690
ZN28-12/T2000-31.5	697	677	235	347	550	380	330	634	480	250	620
ZN28-12/T ⁶³⁰ / ₁₂₅₀ - ²⁰ / _{31.5}	697	677	235	347	550	380	330	594	440	230	580



Rated current	20kA, 25kA, 31.5kA		40kA	
Code	A	B	A	B
Data	250	610	275	690

MV Circuit Breaker

ZN23-40.5 Indoor Vacuum Circuit Breaker

- ZN23-40.5 MV vacuum circuit breaker is indoor MV distribution device of three-phase AC 50Hz, rated voltage 40.5kV, can be matched with JYN35/GBC-35 type switch cabinet. Suitable for control and protection in power plant, substation and power distribution system, especially suitable for frequent operation places. The vacuum circuit breaker is handcart type, with reasonable structure, convenient maintenance, safe and reliable use.

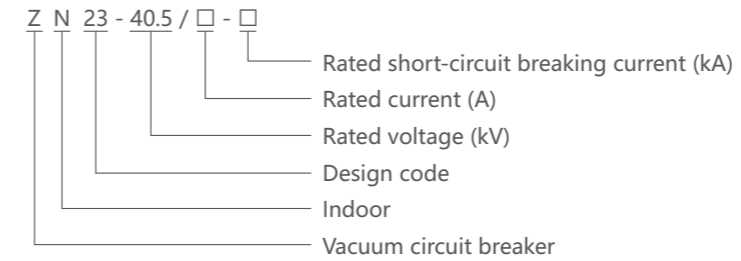
General



MV Circuit Breaker

ZN23-40.5 Indoor Vacuum Circuit Breaker

Selection



Operating conditions

- The environment temperature: upper limit +40°C, lower limit -15°C (cold area -25°C);
- Altitude: not more than 2000m;
- Relative humidity: daily average value is not greater than 95%, monthly average is not greater than 90%;
- Saturated steam pressure: daily average value is not higher than 2.2×10^{-3} Mpa, monthly average is not higher than 1.8×10^{-3} Mpa;
- Earthquake intensity does not exceed 8 degrees;
- No fire, explosion, pollution, chemical corrosion and severe vibration place.

Features

- The overall structure of circuit breaker is handcart type, use CT19 or CD10 mechanism, can be divided into JYN1 and GBC two kinds of structure.
- The circuit breaker body is composed of frame, insulator, vacuum interrupter, spindle and moving and static bracket. The bottom surface of the frame is equipped with 4 wheels, for moving circuit breaker, etc. the right side of the frame is equipped with 6 insulator as support, fixed moving and static support use, vacuum interrupter installed between the dynamic, static support, the circuit breaker has the characteristics of small volume, simple structure, long service life, easy maintenance, no explosion danger, no pollution etc..

Principle of operation

The circuit breaker is equipped with middle sealing longitudinal magnetic field vacuum interrupter, when the dynamic, static contact of vacuum interrupter is separated charged, contact gap will produce vacuum arc and extinguished when the current over zero. Due to the special structure of contact, the contact gap will produce appropriate longitudinal magnetic field during contact arc, the arc uniformly distributed on the surface of the contact, maintaining a low arc voltage, so that less electric corrosion speed and the arc chamber with high arc media recovery strength, improve the circuit breaker breaking short-circuit current capability and life electrical.

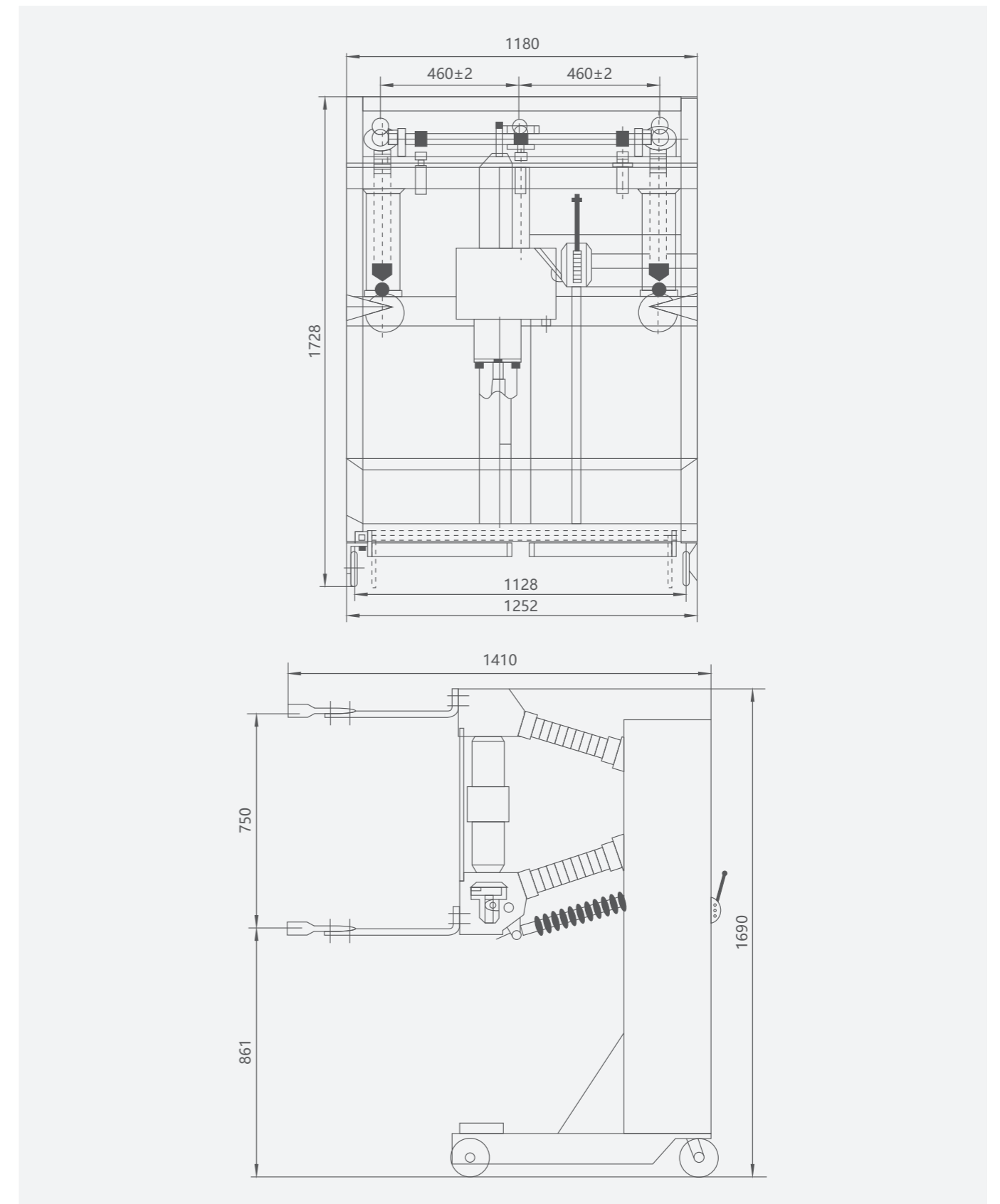
MV Circuit Breaker ZN23-40.5 Indoor Vacuum Circuit Breaker

Technical data

Item	Unit	Parameter		
Parameters of voltage, current, life				
Rated voltage	kV	40.5		
Rated short time power frequency withstand voltage (1min)	kV	95		
Rated lightning impulse withstand voltage (peak)	kV	185		
Rated frequency	Hz	50		
Rated current	A	1250	1600	2000
Rated short-circuit breaking current	kA	25	31.5	
Rated short-time withstand current (RMS)	kA	25	31.5	
Rated peak withstand current	kA	63	80	
Rated short-circuit closing current	kA	63	80	
Rated single / back-to-back capacitor bank breaking current	A	600/400		
Rated short-circuit current duration	S	4		
Rated short-circuit current breaking times	Times	20		
Rated operating sequence		O-0.3s-CO-180s-CO		
The main galvanic circle resistance	$\mu\Omega$	≤ 65		
Rated operation voltage		U_2 220/110		
Mechanical life	Times	≥ 10000		
Mechanical property parameters				
Open clearance between contacts	mm	22 ± 2		
Overtravel	mm	6 ± 1		
Contact closing bounce time	ms	≤ 3		
Three-phase, switching synchronism	ms	≤ 2		
Average opening speed	m/s	1.7 ± 0.2		
Average closing speed	m/s	0.75 ± 0.2		
Opening time (rated voltage)	ms	≤ 90		
Closing time (rated voltage)	ms	≤ 60		
Allowable wear thickness for dynamic and static contact	mm	3		

MV Circuit Breaker ZN23-40.5 Indoor Vacuum Circuit Breaker

Overall and mounting dimensions(mm)



MV Circuit Breaker

ZN85-40.5 Indoor Vacuum Circuit Breaker

- ◇ ZN85-40.5 indoor MV vacuum circuit breaker (hereinafter referred to as circuit breaker), suitable for three-phase AC 50Hz, rated voltage 40.5kV power system, can be used for industrial and mining enterprises, power plant and substation as opening and closing load current, overload current, fault current use.
Circuit breaker and operating mechanism adapt the upper and lower arrangement of institutions, effectively reducing the circuit breaker depth.
- ◇ Three-phase arc extinguishing chamber and associative charged body is isolated by three independent epoxy resin insulating cylinder, composite insulating structure, The circuit breaker meets the air distance and creepage distance requirements under normal operating conditions, and effectively reduces the volume of circuit breaker. The vacuum interrupter of the main current ring and the dynamic and static conductive connections are installed in the insulating cylinder with a distance of only 300mm. The electrical connection of the main circuit is fixed connection, which has high reliability has the very high reliability. Insulating cylinder is arranged on the upper side of the circuit breaker frame.
- ◇ The overall layout is reasonable, beautiful appearance, simple. It has the characters of small volume, flexible operation, with reliable electrical performance, long service life, convenient maintenance, maintenance free.
- ◇ The circuit breaker is suitable for frequent operation, various occasions and places with harsh operating conditions.
- ◇ Standard: IEC 62271-100

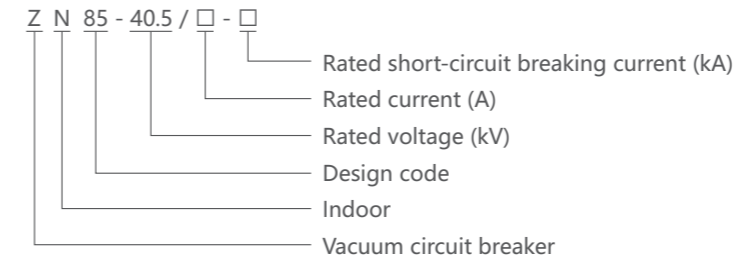
General



MV Circuit Breaker

ZN85-40.5 Indoor Vacuum Circuit Breaker

Selection



Operating conditions

1. Ambient temperature $-10^{\circ}\text{C} \sim +40^{\circ}\text{C}$
2. Altitude $\leq 1500\text{m}$;
3. Relative humidity: the daily average is not greater than 95%, the monthly average is not greater than 90%, the daily average of saturated steam is not greater than $2.2 \times 10^{-3}\text{Mpa}$, and the monthly average is not greater than $1.8 \times 10^{-3}\text{Mpa}$;
4. The earthquake intensity does not exceed 8 degrees;
5. Places free of fire, explosion hazards, severe pollution, chemical corrosion and severe vibrations.

Features

1. Adopt the lead screw propulsion mechanism, labor saving, stable, good self-locking performance.
2. Small volume, flexible operation, with characters of reliable electrical performance, long service life, easy maintenance, low maintenance.

Installation

1. The installation form of ZN85 vacuum circuit breaker in switch cabinet can be fixed, can also be drawout style, has good interchangeability.
2. This series handcart type circuit breaker is mainly used for 1400mmKYN61 ground cabinet, fixed type circuit breaker is used for XGN-40.5, GG1A-40.5 and box type substation etc..

Actuator

1. Vacuum circuit breaker ZN85 using the integral type 3AV3 spring operating mechanism, mechanism is relatively mature, stable and reliable.
2. Mechanism design is simple, the output curve and the performance is more suitable for the characteristics and requirements of 40.5kV vacuum circuit breaker.

MV Circuit Breaker ZN85-40.5 Indoor Vacuum Circuit Breaker

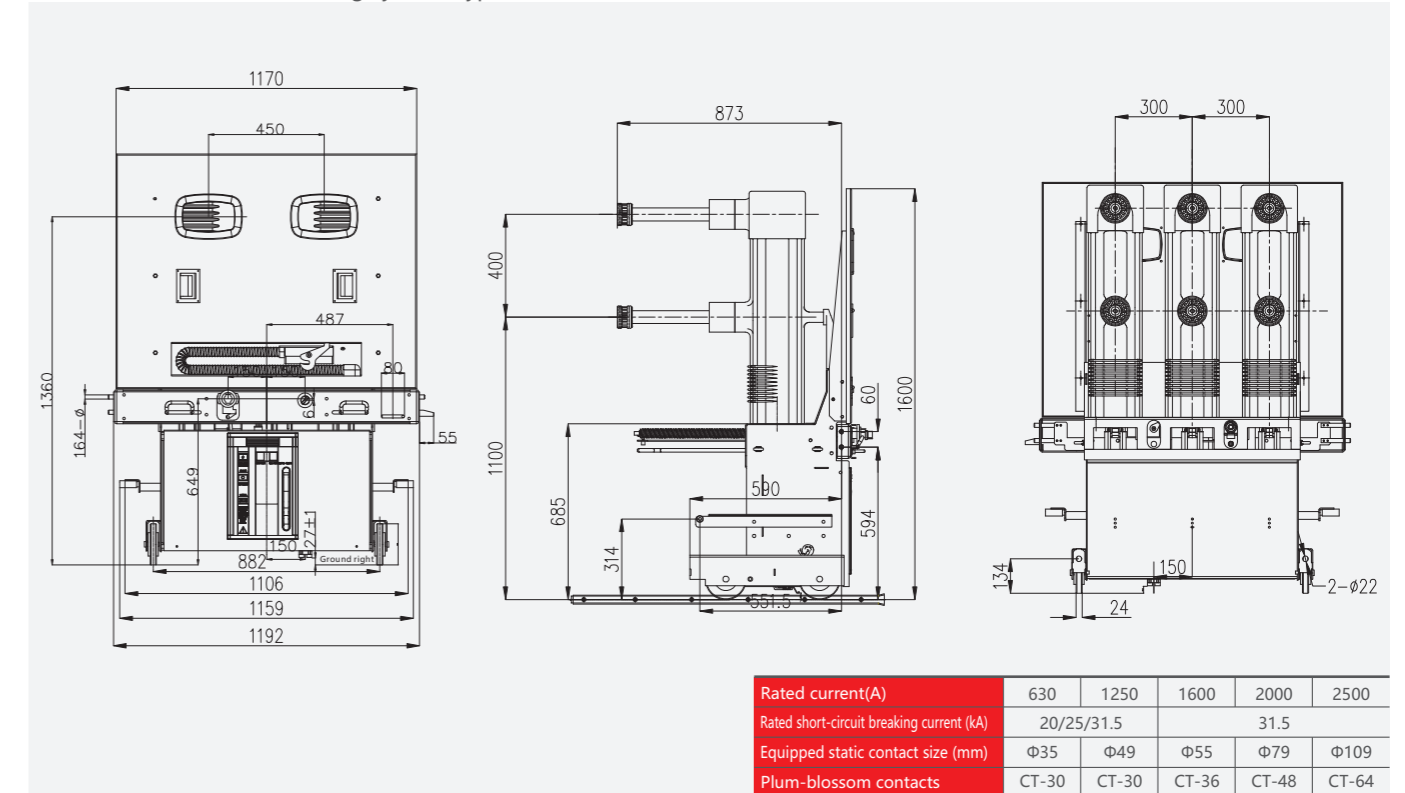
Technical data

Item	Unit	Parameter
Parameters of voltage, current, life		
Rated voltage	kV	40.5
Rated short time power frequency withstand voltage (1min)	kV	95
Rated lightning impulse withstand voltage (peak)	kV	185
Rated frequency	Hz	50
Rated current	A	630, 1250, 1600, 2000 2500
Rated short-circuit breaking current	kA	25 31.5
Rated short-time withstand current (RMS)	kA	25 31.5
Rated peak withstand current	kA	63 80
Rated short-circuit closing current	kA	63 80
Rated single / back-to-back capacitor bank breaking current	A	600/400
Rated short-circuit current duration	S	4
Rated short-circuit current breaking Times	Times	20
Rated operating sequence		O-0.3s-CO-180s-CO
The main galvanic circle resistance	$\mu\Omega$	≤ 65
Rated operation voltage		AC/DC \cong 220/110
Mechanical life	Times	≥ 10000
Mechanical property parameters		
Open clearance between contacts	mm	18 \pm 1
Overtravel	mm	5 \pm 1
Contact closing bounce time	ms	≤ 3
Three-phase, switching synchronism	ms	≤ 2
Average opening speed	m/s	1.7 \pm 0.2
Average closing speed	m/s	0.75 \pm 0.2
Opening time (rated voltage)	ms	≤ 90
Closing time (rated voltage)	ms	≤ 60
Allowable wear thickness for dynamic and static contact	mm	3

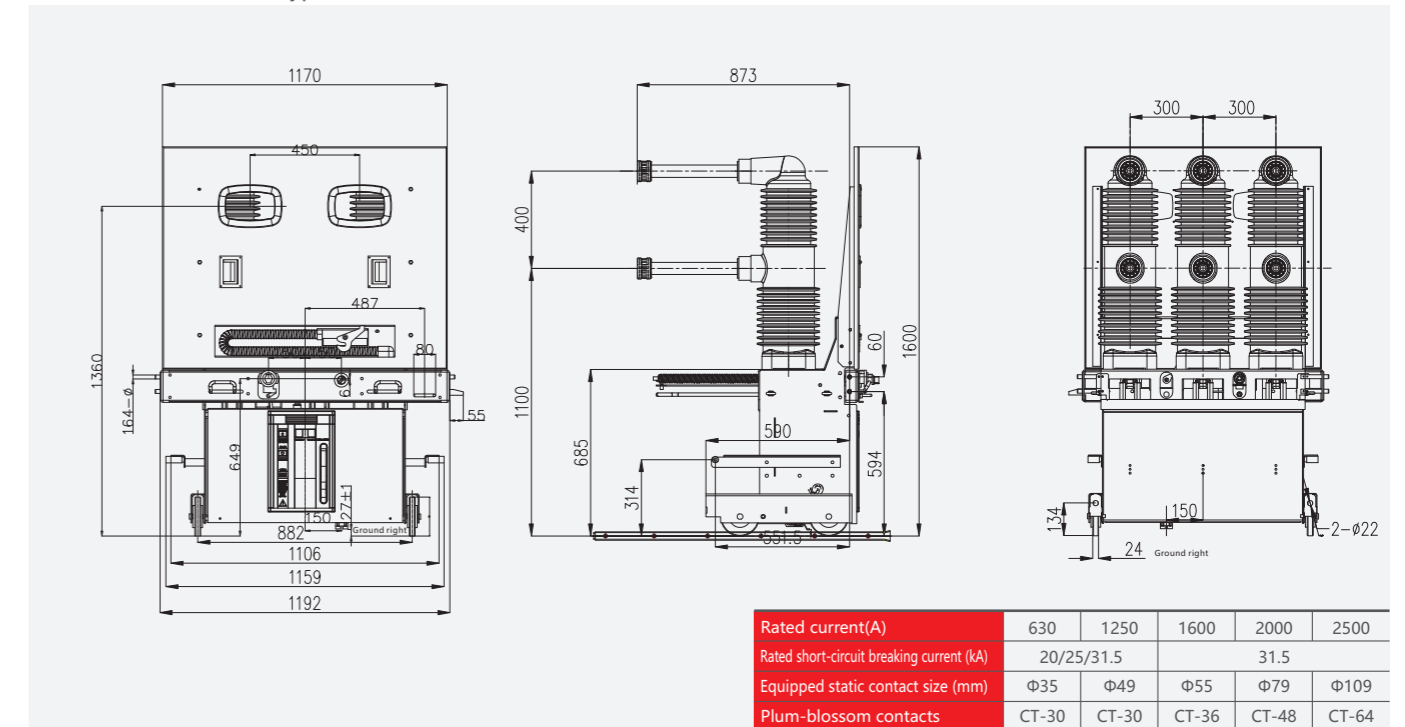
MV Circuit Breaker ZN85-40.5 Indoor Vacuum Circuit Breaker

Overall and mounting dimensions(mm)

External dimensions of insulating cylinder type



Dimensions of solid seal type

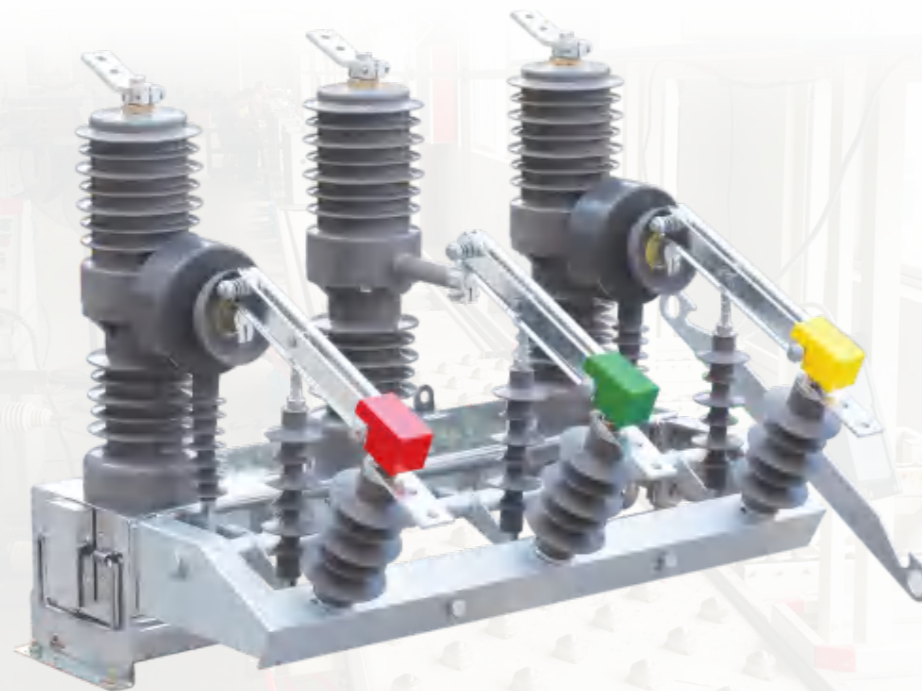


MV Circuit Breaker

ZW32-12 Outdoor Vacuum Circuit Breaker

- ◊ ZW32-12 outdoor MV vacuum circuit breaker is the outdoor distribution equipment with rated voltage 12KV, three phase AC 50Hz. It is used in substation and industrial and mining enterprises distribution system for protecting and controlling use. It is also used in rural power grid places with frequent operation for breaking and closing the load current and over load current and short circuit current of power system.
- ◊ The out insulation of the vacuum interrupter adopts silicone rubber casing, with longer life, higher reliability, good weather resistance, convenient for transportation, good rating. The operating mechanism adopts miniaturization, high reliable spring operation mechanism, has the advantages of simple structure, mechanical life up to 10000 times.
- ◊ This circuit breaker and controller can form a complete set as recloser, realize remote control, telemetry, remote communication, remote adjustment four remote function. Product features: no combustion and explosion hazards, maintenance free, small size, light weight (less than 100kg), long service life (million), safety and reliability, simple operation, convenient maintenance and installation.
- ◊ Can be equipped with power electronics PT for short distance remote control Can be equipped with dual power supply automatic switching device and intelligent automatic recloser prepayment metering automation system
- ◊ Standard: IEC 62271-100

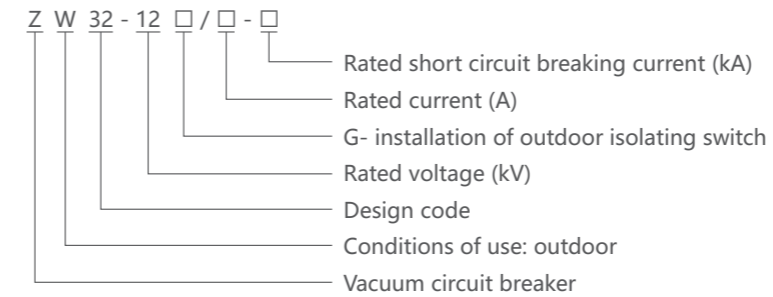
General



MV Circuit Breaker

ZW32-12 Outdoor Vacuum Circuit Breaker

Selection



Operating conditions

1. The environment temperature: upper limit +40°C, lower limit -30°C
2. Altitude ≤ 2000 meters
3. Wind pressure: no more than 700Pa (corresponding to the wind speed 34m/s)
4. Earthquake intensity: do not exceed 8 degree
5. Pollution grade: III class
6. Maximum daily temperature: less than 25°C.



MV Circuit Breaker ZW32-12 Outdoor Vacuum Circuit Breaker

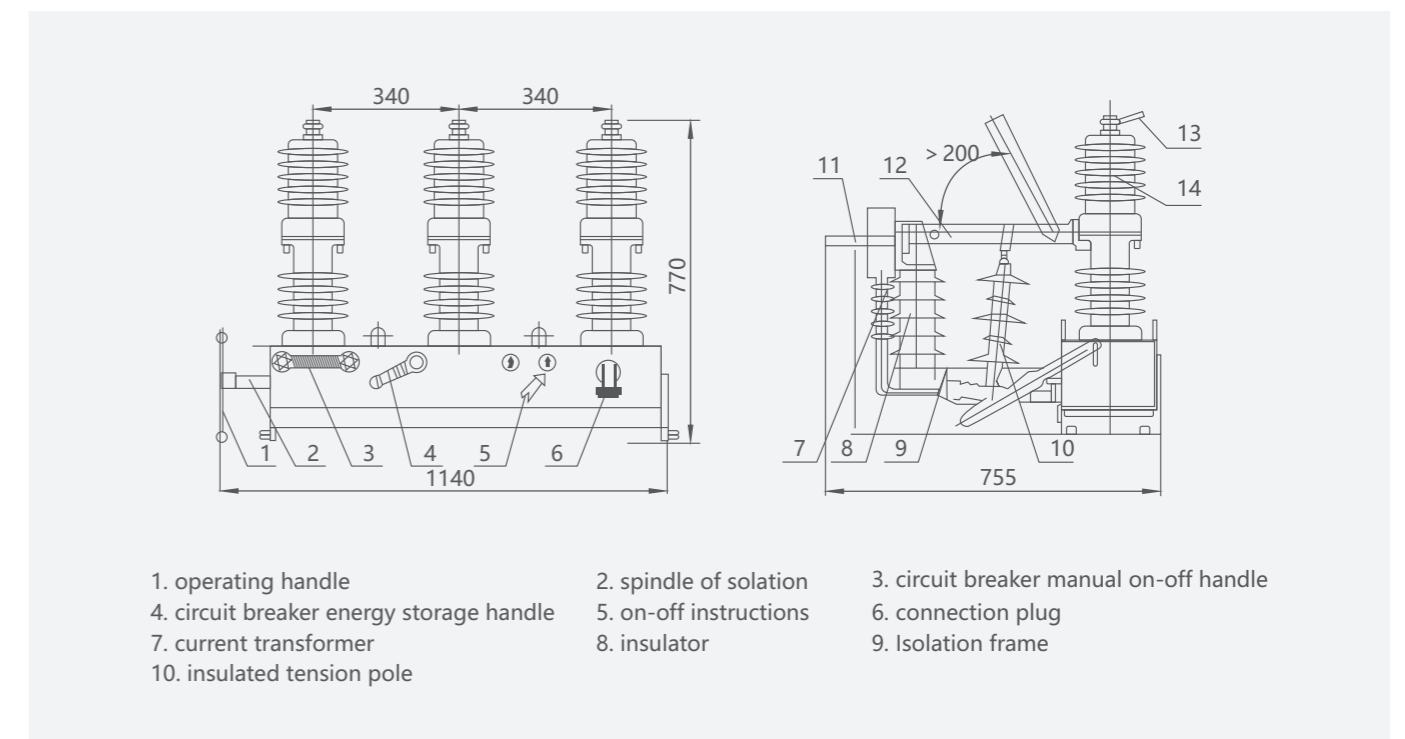
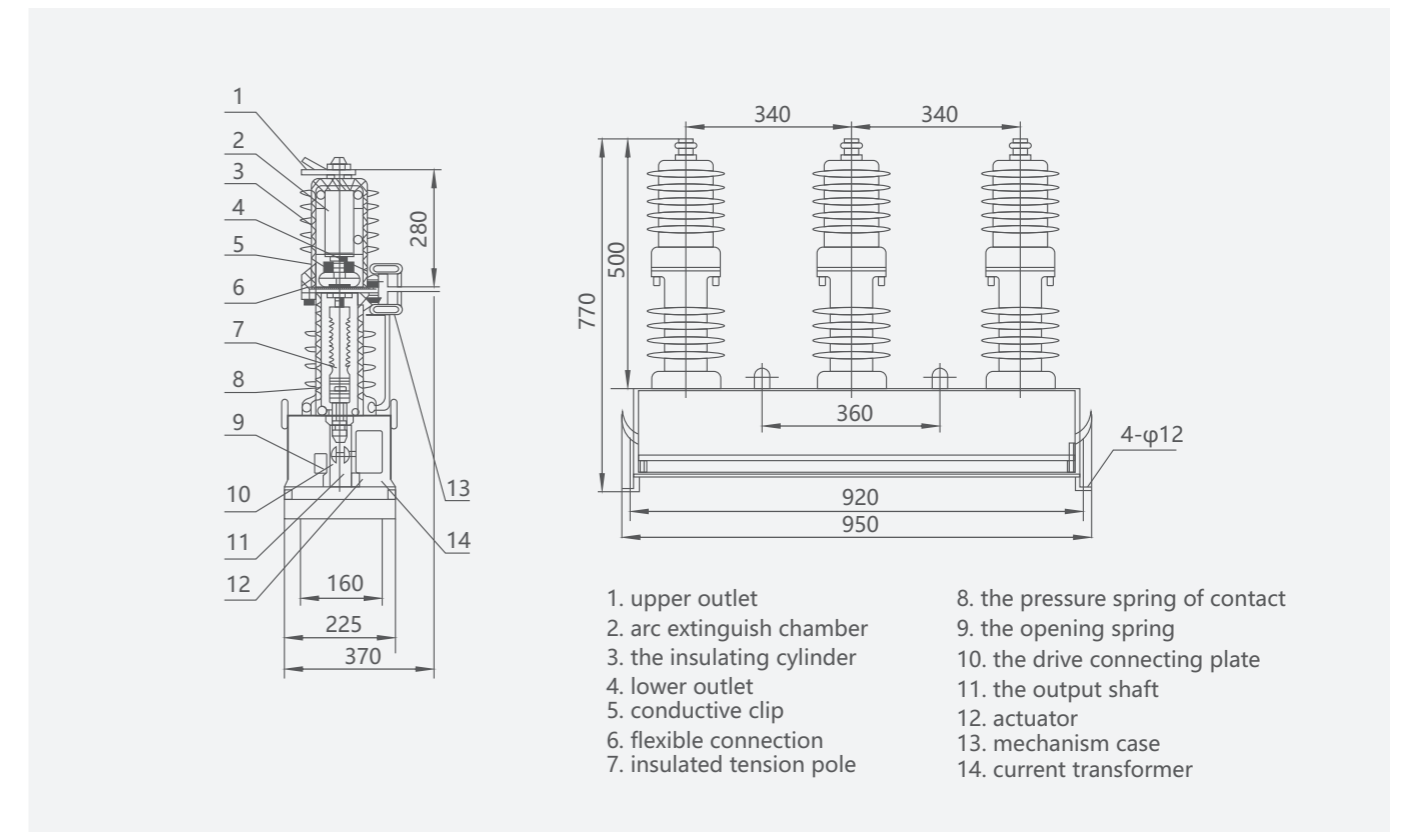
Technical data

Item	Unit	Parameter	
Voltage, current parameters			
Rated voltage	kV	12	
Rated short time power frequency withstand voltage (1min)	kV	42/48	
Rated lightning impulse withstand voltage (peak)	kV	75/85	
Rated frequency	Hz	50/60	
Rated current	A	630	1250
Rated short-circuit breaking current	kA	20	
Rated short-time withstand current (RMS)	kA	20	
Rated peak withstand current	kA	50	
Rated short-circuit closing current	kA	50	
Rated single / back-to-back capacitor bank breaking current	A	630/400	
Rated short-circuit current duration	S	4	
Rated short-circuit current breaking times	Times	50	
The main circuit resistance	$\mu\Omega$	$\leq 80(140)$	
Rated operational voltage		AC/DC \approx 220	
Mechanical life	Times	10000	
The overcurrent regulating ☆	A	1~10	
Quick-break current ☆	A	6~20	
The delay time ☆	ms	40~850	
Remote control distance ☆	m	> 30	
Reclose time ☆	Times	0~3	
Rated operating sequence ☆		O-0.3s-CO-180s-CO	
CT ※	Ratio	A	()/5
	Capacity	VA	15
The output voltage ※	A	AC220	
The output capacity ※	W	600	
The overcurrent regulating ※	A	1~10	
The delay time ※	ms	40~850	
Remote control distance ※	m	30	

Note:
the one not marked above is basic technical parameters; marked ☆ is intelligent technology parameter; marked ※ is the electronic PT type technical parameters.

MV Circuit Breaker ZW32-12 Outdoor Vacuum Circuit Breaker

Overall and mounting dimensions(mm)

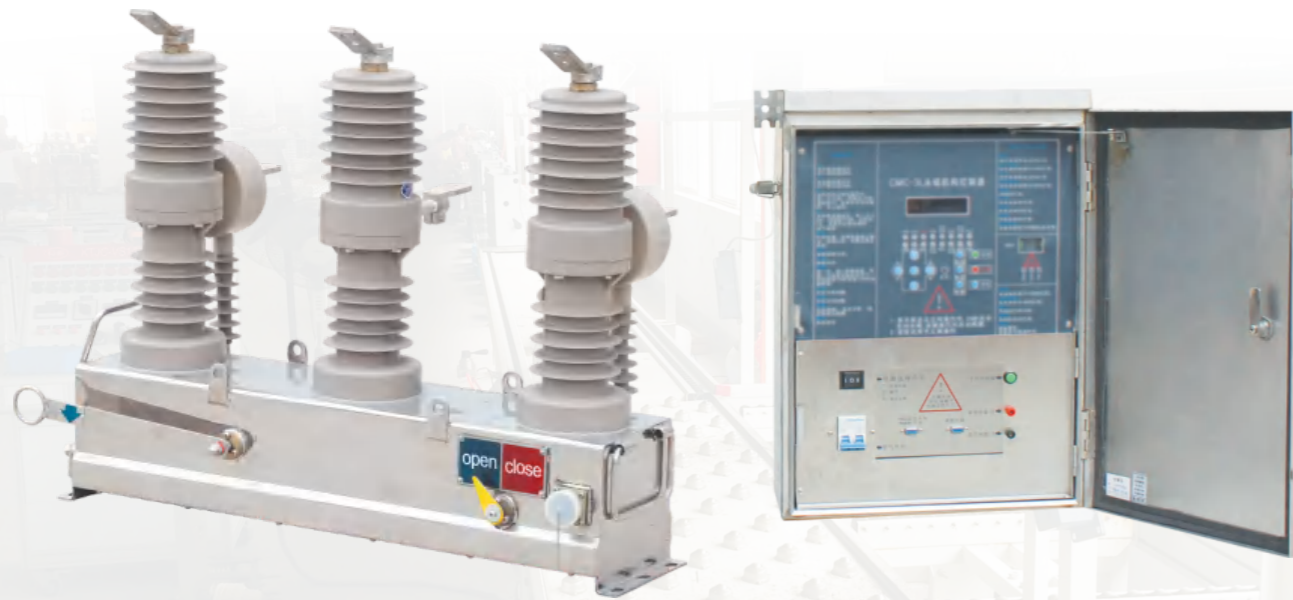


MV Circuit Breaker

ZW32Y-12 Outdoor Vacuum Circuit Breaker

- ZW32Y-12/630-20/25 outdoor permanent magnetic MV vacuum on pillar dry circuit breaker (hereinafter referred to as circuit breaker), is the control and protection equipment used in rated voltage 12KV, 50HZ AC three phase high voltage distribution grid. Mainly used for load current, overload current and short-circuit current breaking, closing in the power lines. Applied to substation and industrial and mining enterprises in power system used for protection and control purposes.
- Standard: IEC 62271-100

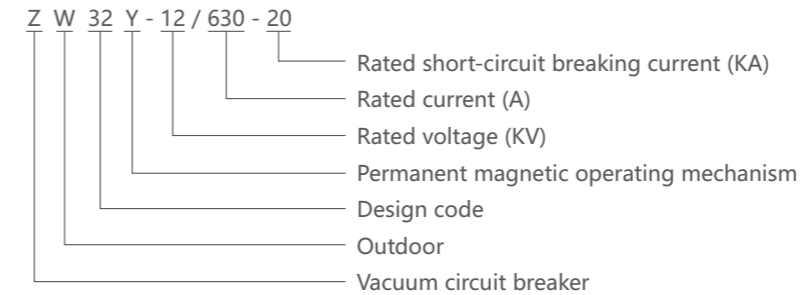
General



MV Circuit Breaker

ZW32Y-12 Outdoor Vacuum Circuit Breaker

Selection



Operating conditions

- Ambient temperature: upper limit +40°C, lower limit -30°C;
- Altitude: ≤2000m;
- Wind pressure: not more than 700Pa (corresponding to the wind speed 34m/s);
- Earthquake intensity: do not exceed 8 degree;
- Pollution grade: III class;
- Maximum daily temperature variety less than 25°C.

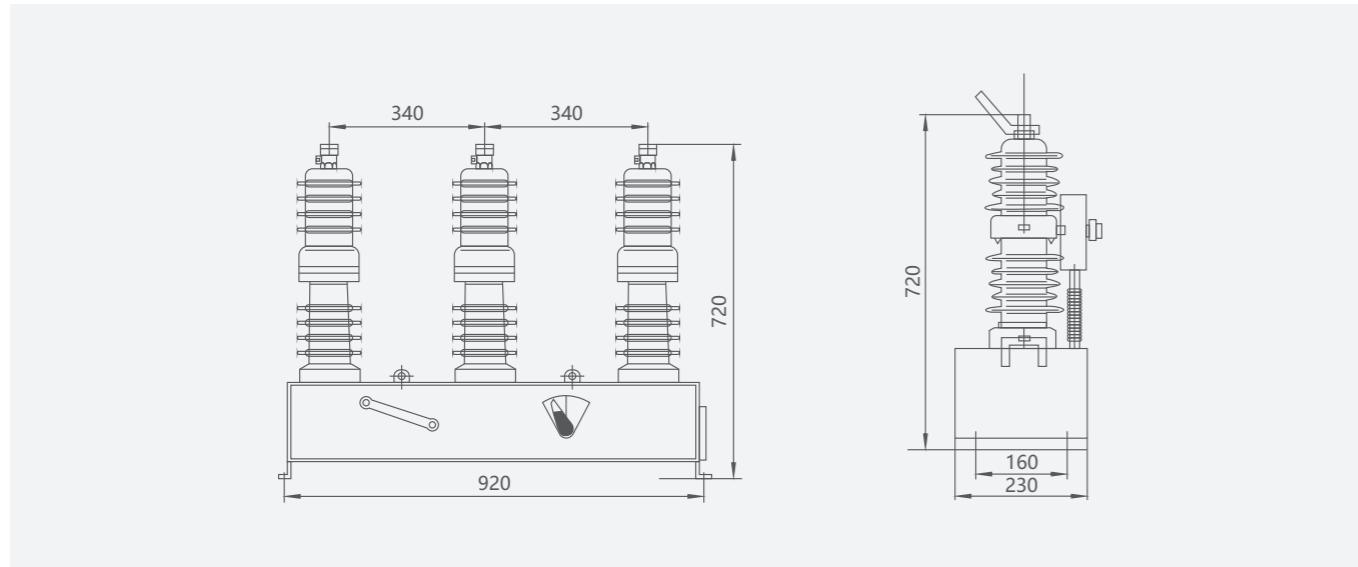
Technical data

Item	Unit	Parameter	
Rated voltage	kV	12	
Rated insulation level	1min power frequency withstand voltage	kV	42/ fracture 48
	Dry test	kV	34
	Wet test	kV	75/ fracture 85
Rated current	A	630, 1250	
Rated short-circuit breaking current	kA	20	
Rated short-circuit breaking current time	Times	30	
Rated short-circuit closing current (peak)	kA	50	
Rated peak withstand current	kA	50	
Rated short-time withstand current	kA	20	
Rated short circuit duration	S	4	
Opening time	ms	< 50	
Closing time	ms	< 60	
Full off time	ms	≤100	
Arcing time	ms	≤50	
Mechanical life	Times	30000	
Switch on power	J	70	
Rated operational voltage and auxiliary circuits rated voltage	V	DC 220	
	V	AC 220	

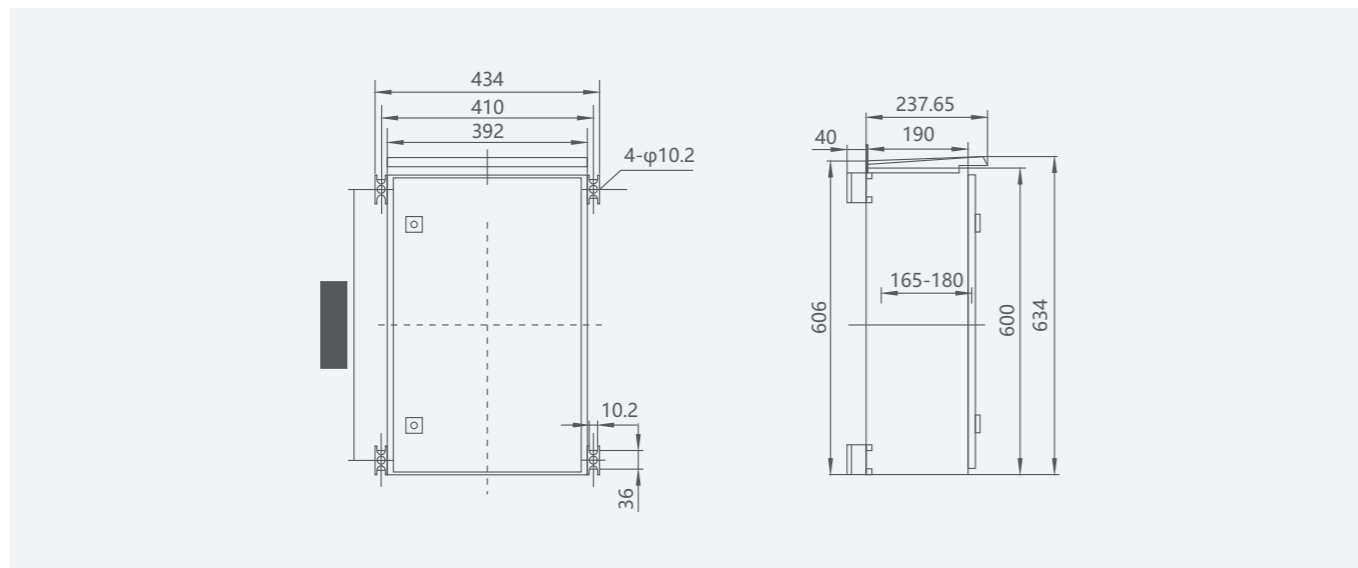
MV Circuit Breaker ZW32Y-12 Outdoor Vacuum Circuit Breaker

Overall and mounting dimensions(mm)

Circuit breaker and mounting dimensions



Controller outline and mounting dimensions

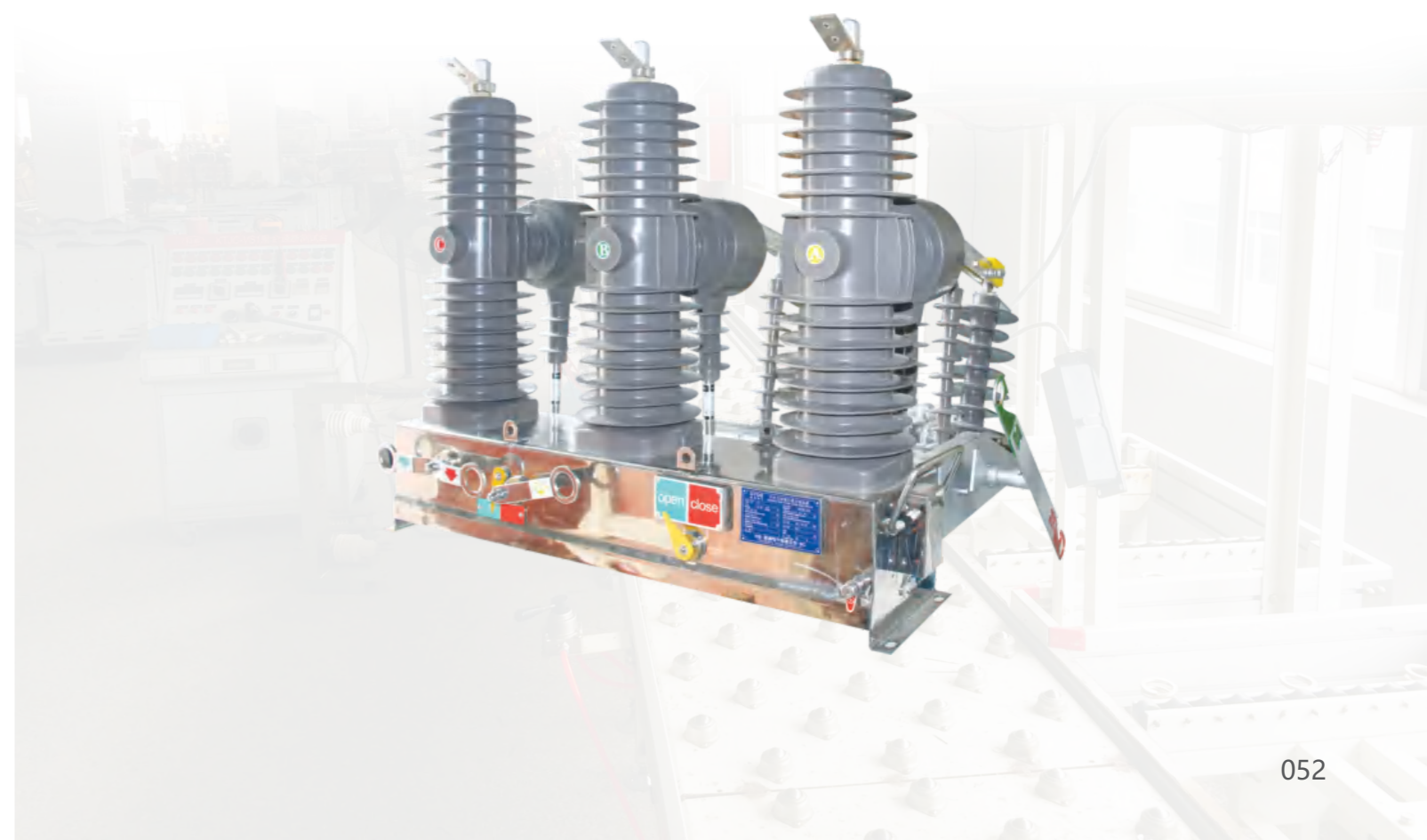


MV Circuit Breaker

ZW32-24 Outdoor Vacuum Circuit Breaker

- ❖ ZW32-24 outdoor MV vacuum circuit breaker (Hereinafter referred to as the circuit breaker) is outdoor distribution equipment with rated voltage 24KV, three phase AC 50Hz. It is mainly used for breaking and closing the load current, overload current and short circuit current of power system. Applied to substation and industrial and mining enterprises in power system for protection and control use, more suitable for rural power grid and the frequent operation place.
- ❖ The installation instructions provided content of circuit breaker references, the using condition, type and rated parameters, structure characteristics, working principle, order information, and operation, installation, use, maintenance principle and method etc..
- ❖ Standard: IEC 62271-100

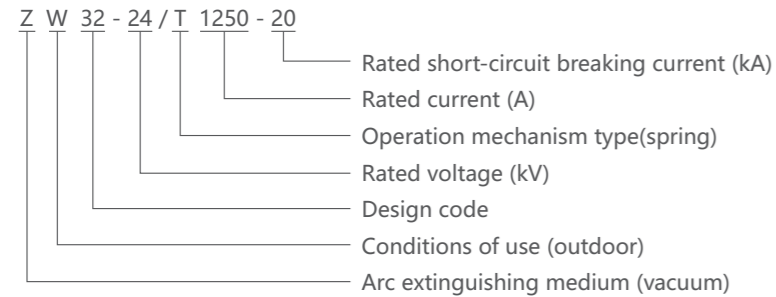
General



MV Circuit Breaker

ZW32-24 Outdoor Vacuum Circuit Breaker

Selection



Operating conditions

1. Ambient air temperature: The daily temperature variation: $-40^{\circ}\text{C} \sim +40^{\circ}\text{C}$ diurnal variation of temperature less than 25°C ;
2. Altitude: no more than 2000 meters
3. Wind speed is no more than 35m/s (equivalent to 700Pa on the surface of the cylindrical);
4. Ice cover thickness no more than 10mm;
5. The intensity of sunshine not more than $1000\text{W}/\text{m}^2$
6. Pollution degree no more than GB 5582 IV class
7. Seismic intensity does not exceed 8 class
8. No flammable, explosive, chemical corrosion and severe vibration place
9. the conditions of use exceed the above-mentioned regulations, it shall be determined through consultation between the user and the manufacturer.

Quoted standard

1. GB 1984-2003 AC high voltage circuit breaker
2. GB 3309-1989 Mechanical test of high voltage switchgear at room temperature
3. GB 5582-1993 The pollution level of insulating high voltage electric power equipment
4. GB 1985-2004 AC high voltage isolation switch and earthing switch
5. GB/T 11022-1999 Common technical requirement for high voltage switch equipment and control equipment standard
6. GB 16927.1-1997 The first part of high voltage test techniques: General test requirements
7. DL/T 402-2007 Technical conditions for AC high voltage circuit breaker order
8. DL/T 593-2006 The common technical specification of high voltage switch equipment and control equipment standards

MV Circuit Breaker

ZW32-24 Outdoor Vacuum Circuit Breaker

Technical data

Table 1

Item	Unit	Parameter			
Rated voltage	kV	24			
Rated insulation level	1min Power frequency withstand voltage	Dry test	kV		65/79 (isolation fracture)
		Wet test	kV		50/64 (isolation fracture)
		The auxiliary circuit and control circuit	kV		2
	Lightning impulse withstand voltage (peak)	kV		125/145 (isolation fracture)	
Rated frequency	Hz	50			
Rated current	A	630, 1250			
Rated operating sequence		O-0.3s-CO-180s-CO			
Rated short-circuit breaking current	kA	16	20	25	
Rated short-circuit closing current (peak)	kA	40	50	63	
Rated peak withstand current	kA	40	50	63	
Rated short-time withstand current	kA	16	20	25	
Rated short circuit duration	S	4			
Rated short-circuit breaking current times	Times	20/25			
Breaking Times of rated current	Times	10000			
Closing time	ms	20~80			
Opening time	Under maximum operating voltage	ms			20~80
	Under rated operation voltage	ms			20~80
	Under lowest operating voltage	ms			20~80
Full off time	Times	≤100			
Mechanical life	J	10000			
Switch on power	W	70			
Energy storage motor rated input power	V	≤70			
Rated operational voltage and auxiliary circuits rated voltage	V	DC, AC 220			
Energy storage time under rated voltage	S	≤8			
Overcurrent release	Rated current	A			5
	Tripping current accuracy	%			±10

MV Circuit Breaker ZW32-24 Outdoor Vacuum Circuit Breaker

Circuit breaker after assembly and adjustment should meet the requirements of Table 2

Table 2

Item	Unit	Parameter
Open clearance between contacts	mm	13±1
Contact overtravel	mm	3±1
Average opening speed	m/s	1.5±0.2
Average closing speed	m/s	0.8±0.2
Contact closing bounce time	ms	≤3
Three-phase tripping over the same period of time	ms	≤2
DC resistance of circuit for every phase (with isolating switch)	μΩ	≤60(150)
Allowable wear thickness for dynamic and static contact	mm	3
Phase center distance	mm	380±1.5
The closing state rated contact spring pressure	N	2000±200

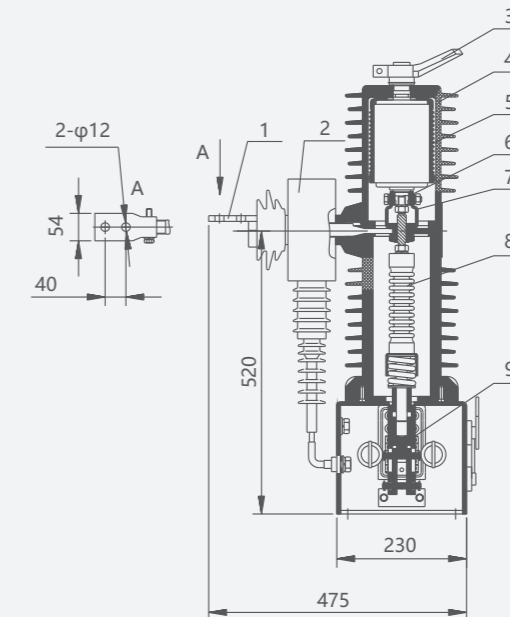
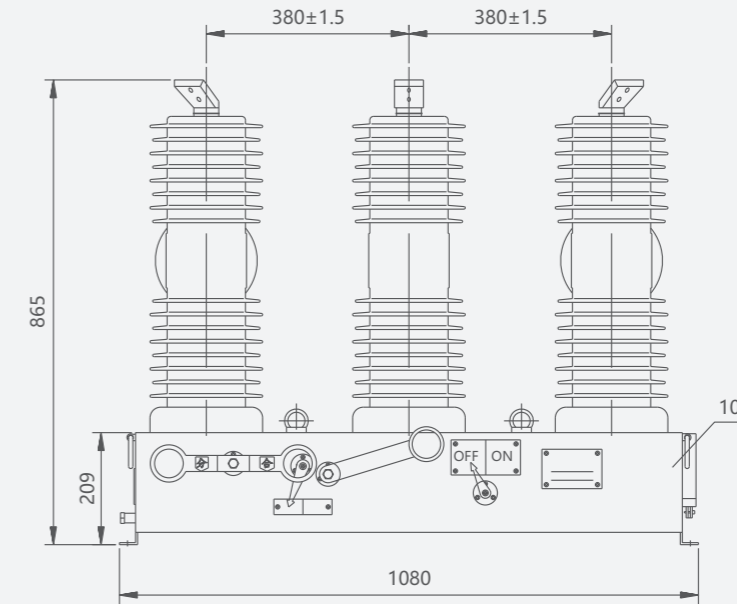
Circuit breaker equipped isolation switch rated parameters

Table 3

Item	Unit	Parameter	
Rated voltage	KV	24	
Rated frequency	Hz	50	
Rated current	A	1250	
Rated peak withstand current	kA	50	
Rated short-time withstand current	kA	20	
Rated short circuit duration	s	4	
Mechanical life	Times	2000	
Isolation switch fracture operation torque	N*m	≤300	
Contact blade spring pressure	N	300±30	
Rated terminal static mechanical load	Horizontal longitudinal load	N	500
	Horizontal transverse load	N	250
	Vertical force	N	300

MV Circuit Breaker ZW32-24 Outdoor Vacuum Circuit Breaker

Overall and mounting dimensions(mm)



- 1. lower outlet
- 2. current transformer
- 3. upper inlet
- 4. insulating pillar
- 5. the vacuum interrupter
- 6. wire guides
- 7. flexible connection
- 8. insulated tension pole
- 9. actuator
- 10. case

MV Circuit Breaker

ZW20□-12 Outdoor Vacuum Circuit Breaker

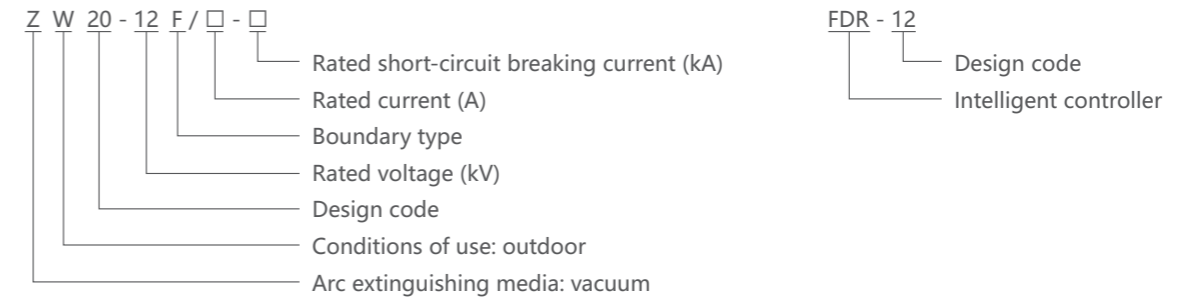
- ◊ ZW20-12 outdoor AC MV vacuum boundary circuit breaker (hereinafter referred to as the boundary circuit breaker) is one of our new products. Boundary circuit breaker is a multifunctional intelligent device with the function of vacuum breaker, vacuum load switch, recloser, sectionalizer four switches. The main configuration consists of vacuum breaker, CH-40 controller, external voltage transformer (Note: distribution automation line ring network available in bilateral PT) three parts. Products are widely used in 10kV, 13kV city, rural power grid space ring network for disconnecting switch, contact switch, automatic switch device which can implement the ring deployment line load. It can be used as boundary switch (commonly known as watchdog) in the branch line of power supply, used as reclosers and sectionalizers in feed overhead distribution network. A boundary circuit breaker is designed with remote management mode, protection and control functions, and communication functions. Reliable detection device with mA level zero sequence current and phase to phase short circuit current can achieve automatic troubleshooting of single-phase grounding faults and phase to phase short circuit faults.
- ◊ The main switch adopts vacuum arc, and the insulation adopts SF6 and N2 mixed gas. The case introduces the gas sealing, explosion-proof, and insulation system technologies of Japan, Germany, and France, and the overall sealing performance is excellent. The interior is filled with SF6, N2 mixed gas, no leakage, and not affected by the external environment. The spring operating mechanism adopts a miniaturized and performance-optimized design, and its action reliability is much higher than that of the traditional spring mechanism.
- ◊ Standard: IEC 62271-100

General

MV Circuit Breaker

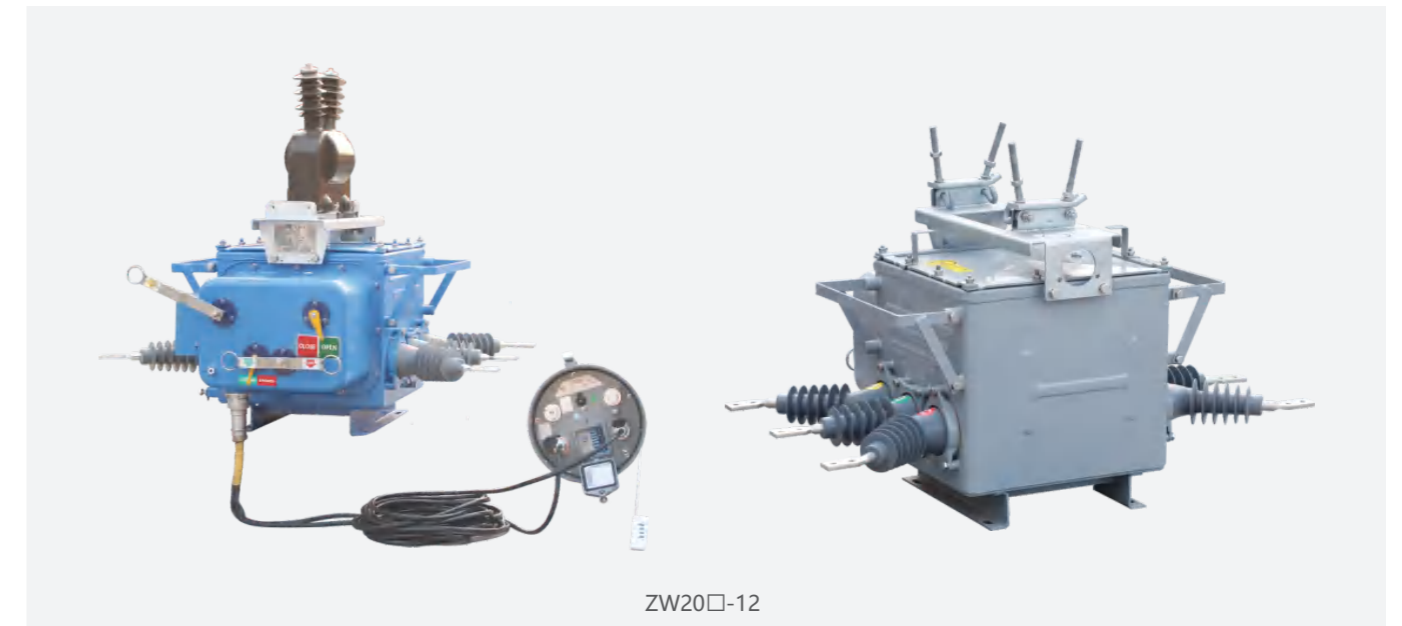
ZW20□-12 Outdoor Vacuum Circuit Breaker

Selection



Operating conditions

1. Altitude ≤ 2000 meters
2. The environment temperature: -30°C ~ +55°C outdoor; the highest annual average temperature 20 °C, the highest daily average temperature 30 °C;
3. Relative humidity: 95% (25°C)
4. Seismic capacity: horizontal ground acceleration 0.3g, vertical ground acceleration 0.15g, at the same time duration of three sine waves, a safety factor of 1.67
5. Earthquake intensity: 7 degrees
6. The maximum daily temperature difference: 25 °C
7. The intensity of sunshine (wind speed 0.5m/s): 0.1W/cm²
8. The maximum wind speed: 34m/s
9. The maximum ice thickness: 10mm
10. Installation position: outdoor, the 10kV overhead line responsibility demarcation point
11. Grounding: neutral non grounding, arc suppression coil grounding and low resistance grounding.



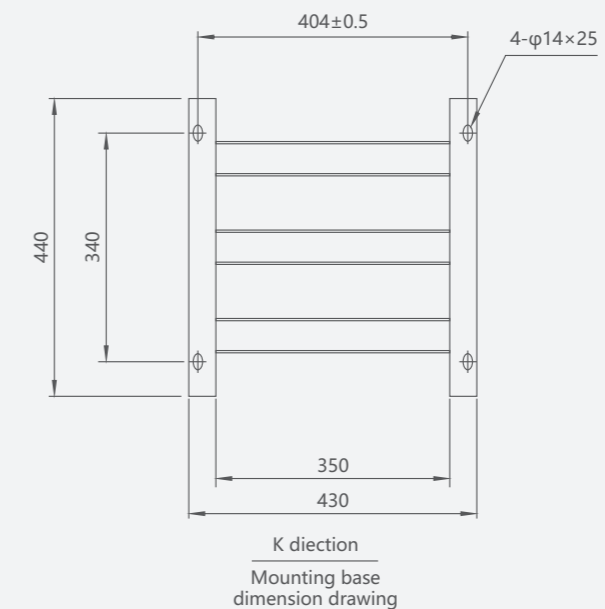
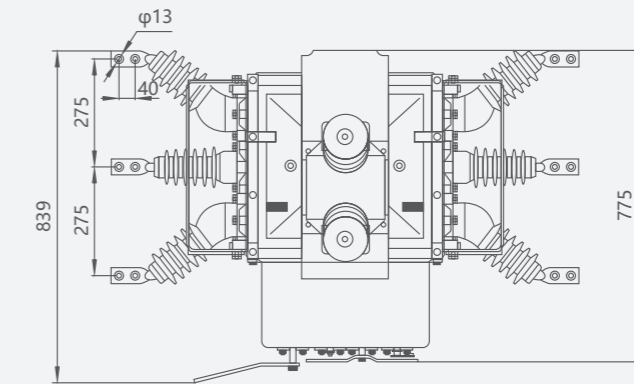
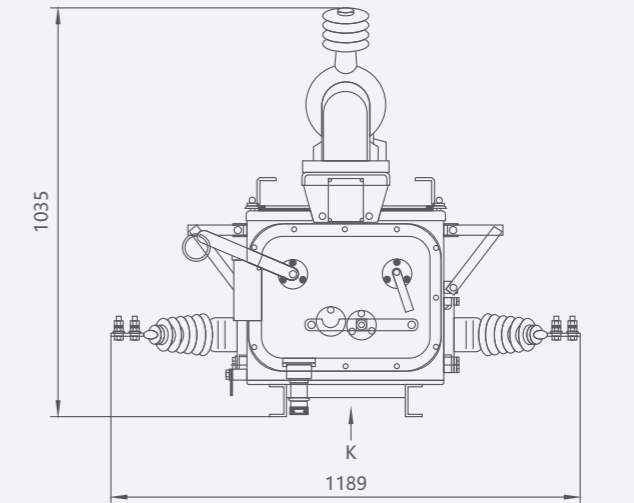
MV Circuit Breaker ZW20□-12 Outdoor Vacuum Circuit Breaker

Technical data

Item	Unit	Parameter		
Voltage, current parameters				
Rated voltage	KV	12		
Insulation level of fracture	The power frequency (dry and wet test)	KV	48	
	Lightning impulse test voltage (peak)	KV	85	
On the ground and interphase insulation level	Power frequency	Dry test	KV	42
		Wet test	KV	34
	Lightning impulse test voltage (peak)	KV	75	
Rated current	A	630		
Rated short-circuit breaking current	kA	16, 20, 25		
Rated short-circuit breaking current interruption times	Times	30		
Rated short-time withstand current	kA	16, 20, 25		
Rated short circuit duration	S	4		
Rated short-circuit close current (peak)	kA	40, 50, 63		
Rated peak withstand current	kA	40, 50, 63		
Mechanical life	Times	> 10000		
Rated current on and off times	Times	10000		
Net weight	kg	180		
Mechanical properties				
Clearance between open contacts	mm	$9^{+1}_{-0.5}$		
Contact overtravel	mm	$3^{+1}_{-0.5}$		
Opening speed	m/s	1.2 ± 0.2		
Closing speed	m/s	0.6 ± 0.2		
Contact closing jump time	ms	≤ 2		
pjase spacing	mm	280 ± 2		
External charged air insulation distance	mm	235 ± 2		
External creepage distance	cm/kV	3.8		
Three phase opening different period	ms	≤ 2		
Each phase conductive loop resistance	$\mu\Omega$	≤ 150		
Closing time	ms	20~60		
Opening time	ms	18~45		
The energy storage motor rated power	W	≥ 40		
The energy storage motor rated voltage	V	AC220		
Rated closing operating voltage	V	AC220		
Maximum / minimum closing operating voltage	V	AC264/143		
Rated opening operation voltage	V	AC220		
Maximum / minimum voltage of motor	V	AC264/143		
Maximum / minimum opening operating voltage	V	AC242/187		
Ratecl pressure SF6 gas (gauge)	MPa	"0"		

MV Circuit Breaker ZW20□-12 Outdoor Vacuum Circuit Breaker

Overall and mounting dimensions(mm)



MV Circuit Breaker

ZW8-12 Outdoor Vacuum Circuit Breaker

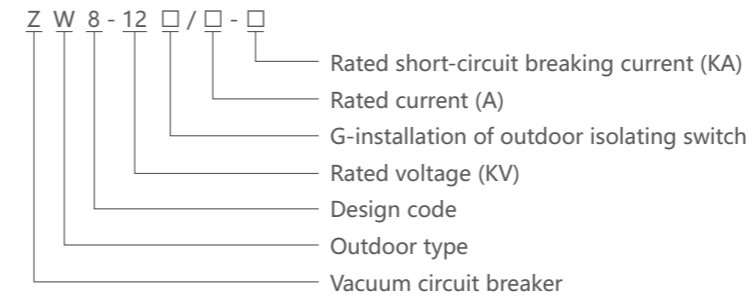
- ◊ ZW8-12/□ outdoor MV vacuum circuit breaker is mainly used for AC 50Hz, voltage 10~12KV three phase power system, used for breaking and closing the load current. It has overload and short circuit protection function. It can be equipped with surge current time delay protector and the lightning arrester or isolating switch namely breaker and isolating switch combination etc. according to user needs.
- ◊ Can be equipped with power electronics PT for short distance remote control can be equipped with dual power supply automatic switching device Can be equipped with intelligent automatic recloser can be equipped with prepayment metering automation system
- ◊ Standard: IEC 62271-100

General

MV Circuit Breaker

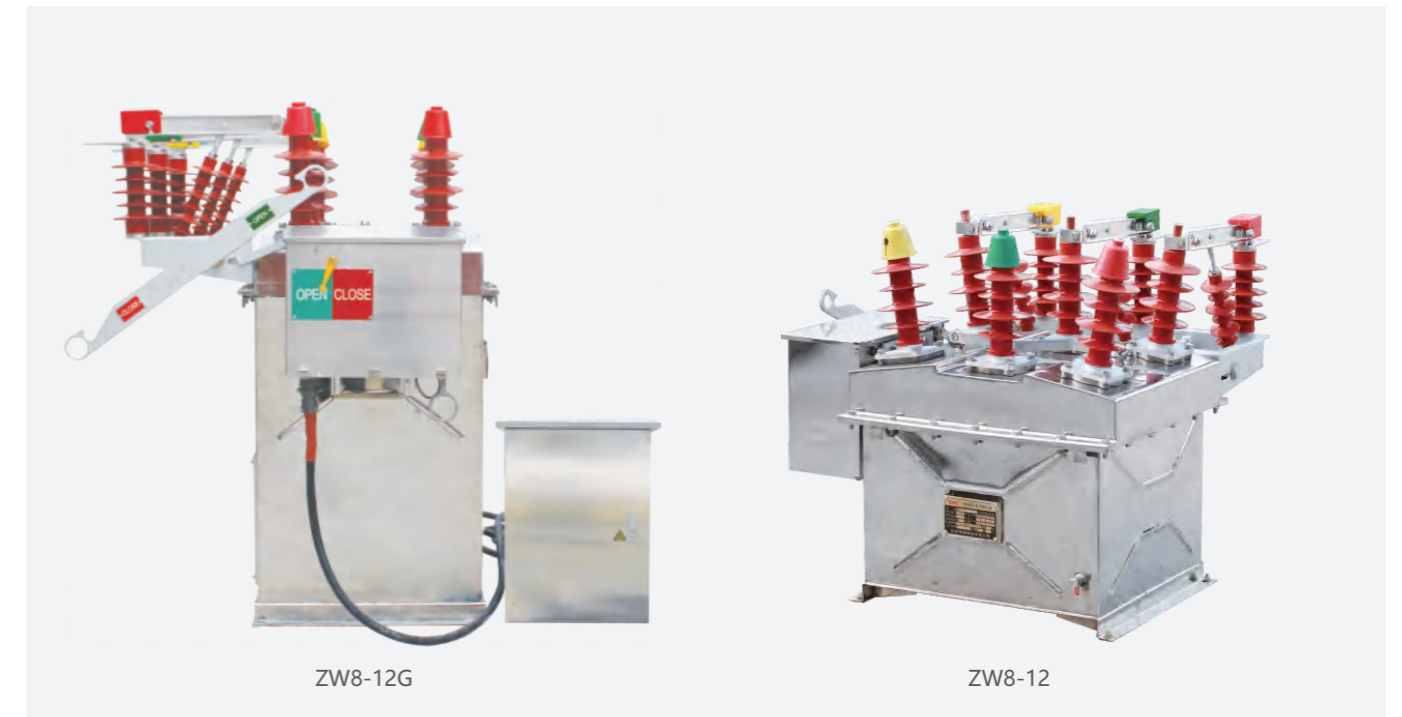
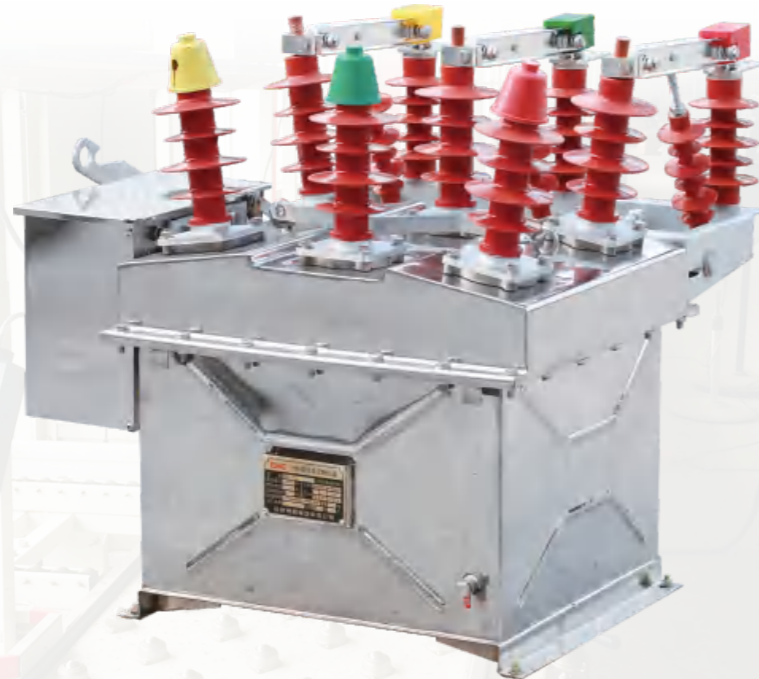
ZW8-12 Outdoor Vacuum Circuit Breaker

Selection



Operating conditions

1. Ambient temperature: upper limit +40°C, lower limit -30°C;
2. Altitude ≤ 2000 meters
3. Pressure: not more than 700Pa (corresponding to the wind speed 34m/s);
4. Earthquake intensity: do not exceed 8 degree;
5. Pollution grade: III class;
6. Maximum daily temperature variety less than 25°C.



MV Circuit Breaker

ZW8-12 Outdoor Vacuum Circuit Breaker

Technical data

Item	Unit	Parameter	
Voltage, current parameters			
Rated voltage	kV	12	
Rated short time power frequency withstand voltage (1min)	kV	42	
Rated lightning impulse withstand voltage (peak)	kV	75	
Rated frequency	Hz	50/60	
Rated current	A	630	1250
Rated short-circuit breaking current	kA	20	
Rated short-time withstand current (RMS)	kA	20	
Rated peak withstand current	kA	50	
Rated short-circuit closing current	kA	50	
Rated single / back-to-back capacitor bank breaking current	A	630/400	
Rated short-circuit current duration	S	4	
Rated short-circuit current breaking times	Times	50	
The main galvanic loop resistance	$\mu\Omega$	$\leq 120(200 \text{ isolation})$	
Rated operational voltage		$\cong 220$	
Mechanical life	Times	10000	
The overcurrent regulating ☆	A	1~10	
Quick-break current ☆	A	6~20	
The delay time ☆	ms	40~850	
Remote control distance ☆	m	> 30	
Reclose time ☆	Times	0~3	
Rated operating sequence ☆		O-0.3s-CO-180s-CO	
CT ※	Ratio	A	$\square/5$
	Capacity	VA	15
The output voltage ※	A	AC220	
The output capacity ※	W	600	
The overcurrent regulating ※	A	1~10	
The delay time ※	ms	40~850	
Remote control distance ※	m	30	

Note:
the one not marked above is basic technical parameters; marked ☆ is intelligent technology parameter; marked ※ is the electronic PT type technical parameters.

MV Circuit Breaker

ZW8-12 Outdoor Vacuum Circuit Breaker

Structure characteristic

>>ZW8-12/T type outdoor high voltage vacuum circuit breaker

ZW8-12/T type outdoor high voltage vacuum circuit breaker is ZW8-12 series common type. ZW8-12/T equipped with spring operating mechanism, with function of break and close the load current, over load current and short circuit current, etc.

Circuit breaker equipped with disconnecter can be composed of combined circuit breaker which has obvious fracture (hereinafter referred to as the "combination of circuit breaker"). The isolating switch adopts silicon rubber insulation jacket, the jacket has the characteristics of anti-wind, rain, snow, sand, dirt corrosion, can effectively prevent the isolation switch frozen and oxidation.

The breaker can be equipped with the lightning arrester, the arrester according to user requirements can be installed in the inlet, either outlet side;

The circuit breaker can be equipped with inrush current controller, which can equipped it with eliminate inrush current and over current function;

The circuit breaker can be installed 2~3 pieces of measuring transformer.

>>ZW8-12/C type outdoor high voltage vacuum circuit breaker

ZW8-12/C type outdoor high voltage vacuum circuit breaker has all the functions of the basic type circuit breaker, equipped with recloser controller to comprise of recloser intelligent circuit breaker. The basic type and recloser controller equipped is suitable for easy taking power supply occasions. PT and recloser controller equipped is suitable for occasions without power supply. Intelligent circuit breaker is suitable for power supply system of radial power supply and ring power supply system, help system to eliminate the transient fault, automatic recovery of power supply, also can isolate the permanent fault, realize distribution automation.

Intelligent circuit breaker with 1~3 Times reclosing function, and parameters can be set;

Intelligent circuit breaker with close inrush current control, over current protection and short circuit fast breaking three composite protection function, and parameters can be continuous tuning;

Intelligent circuit breaker has the function of small current grounding protection, and the parameters can be continuously tuning;

Intelligent circuit breaker can realize the wired remote control, also can be wireless remote control under the rod.

>>ZW8-12/PT type outdoor high voltage vacuum circuit breaker

ZW8-12/PT type outdoor high voltage vacuum circuit breaker has all the functions of the basic type circuit breaker, this circuit breaker is equipped with voltage transformer. Voltage transformer take power from the high voltage side of the line, according to the need to provide 220V, 110V, 100V voltage for itself or other control device;

The circuit breaker (small hydropower type) can be used to monitor the line voltage, when over-voltage or under voltage, the controller automatically disconnect the circuit breaker, and can be widely used for small hydropower and main grid grid connected branch, realize the automatic isolation of fault and network monitoring;

The circuit breaker (measurement type) can output 0.2 level accuracy voltage, current signal, is the ideal choice for rural substation, outside the station point switch and simple measurement switch.

MV Circuit Breaker

ZW8-12 Outdoor Vacuum Circuit Breaker

>>ZW8-12/ electron PT type outdoor high voltage vacuum circuit breaker

ZW8-12/electron PT outdoor high-voltage vacuum circuit breaker has all the functions of the basic circuit breaker. The circuit breaker equipped with electronic PT takes power from CT to charge the battery, and can perform multiple energy storage and opening and closing operations in the case of voltage loss, and can provide working voltage for external equipment; it has strict surge current control, over-current protection and short-circuit quick-break triple composite protection, and the protection parameters can be set by the user; not only can realize wired remote control, but also wireless remote control under the lever.

Overall and mounting dimensions (mm)

Figure 1 ZW8-12/T shape and size of installation

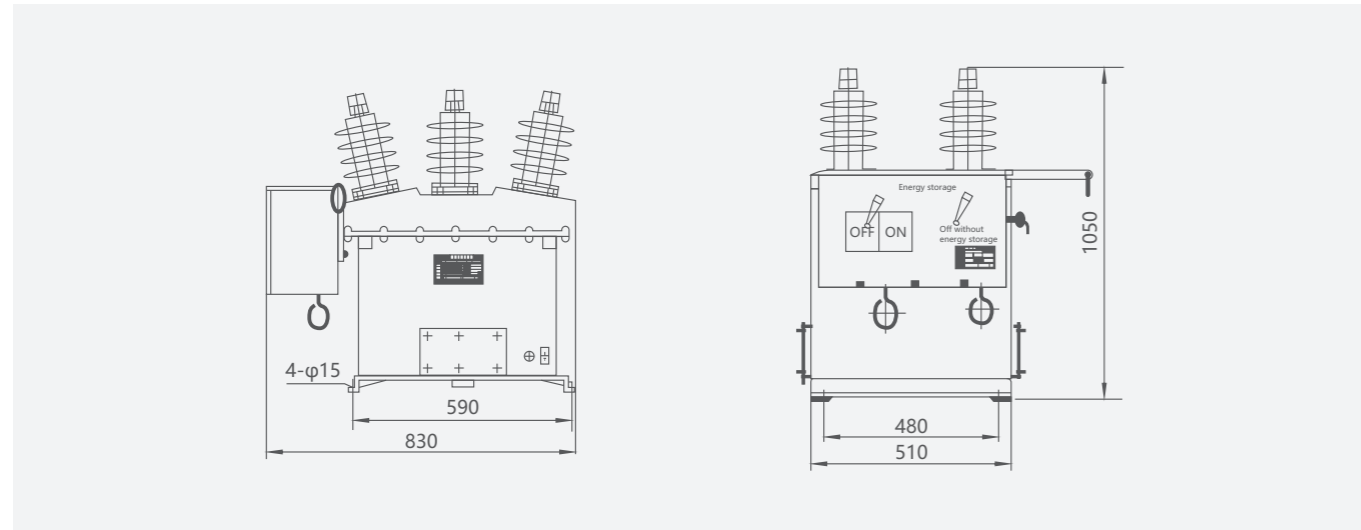
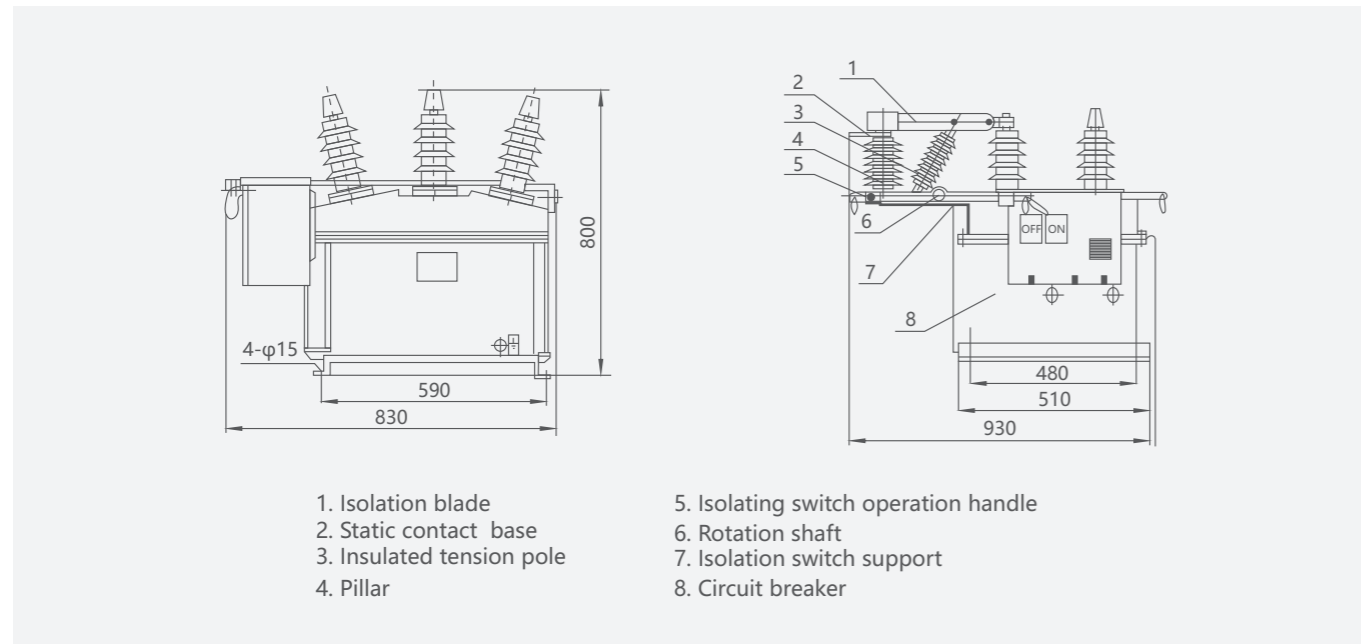


Figure 2 ZW8-12G/T shape and size of installation



MV Circuit Breaker

ZW8-12 Outdoor Vacuum Circuit Breaker

Figure 3 ZW8-12/C, ZW28-12/PT type shape and size of installation

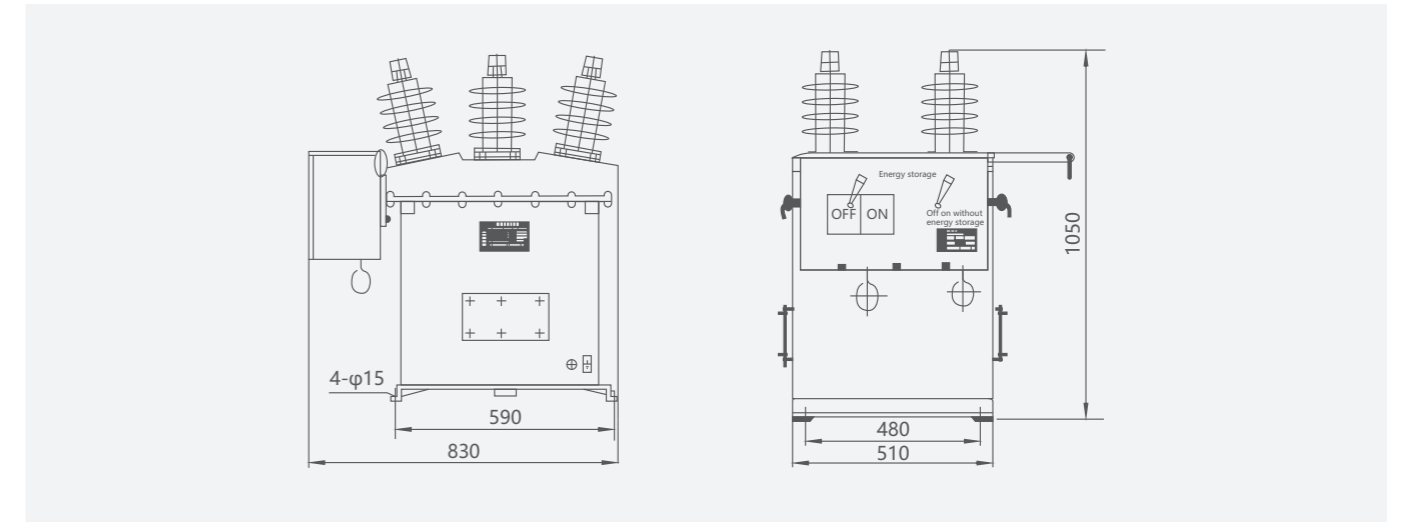
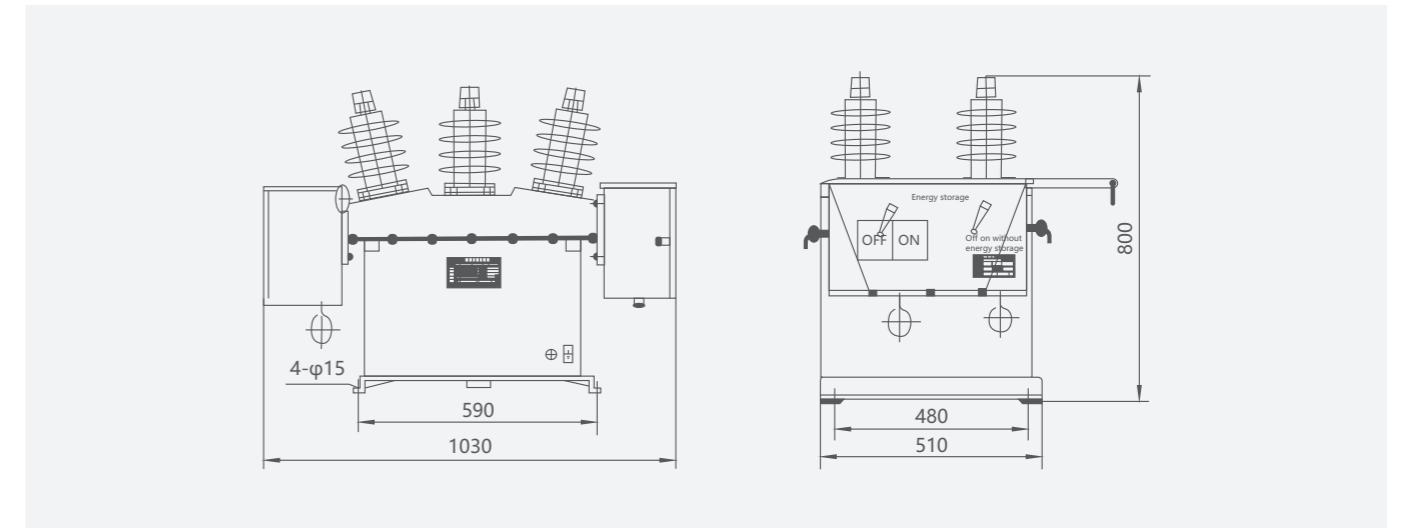


Figure 4 ZW8-12/electric PT type shape and size of installation



MV Circuit Breaker

ZW7-40.5 Outdoor Vacuum Circuit Breaker

- ZW7-40.5 outdoor medium-voltage vacuum circuit breaker is a three-phase AC 50Hz outdoor high-voltage electrical equipment; it is suitable for the control and protection of 20-40.5kV power transmission and distribution systems; it can also be used in the occasions of section circuit breakers and switched capacitor banks; this product can be used with piecewise controller, the reclosing device can realize intelligent sectioning and reclosing control of the power system. A current transformer can be added for measurement and protection. The ring circuit breaker is equipped with a spring or electromagnetic actuator, with reliable mechanical performance and frequent operation; there is no risk of fire and explosion.
- The main characteristics of the circuit breaker are excellent breaking performance, vacuum arc, high breaking capacity, mechanical life up to 10000 times, simple structure, maintenance free, and long maintenance cycle; Good insulation performance and strong anti pollution ability; Current transformers can be installed according to customer requirements, with a measurement accuracy of up to 0.2 level, enabling three-phase interaction.
- Standard: IEC 62271-100

General

MV Circuit Breaker

ZW7-40.5 Outdoor Vacuum Circuit Breaker

Operating conditions

- Ambient temperature: upper limit +40°C, lower limit -30°C; Days difference does not exceed 32K;
- Altitude: 1000m and the following areas;
- Wind pressure: not more than 700Pa (corresponding to the wind speed 34m/s);
- Air pollution level: IV class
- Earthquake intensity: do not exceed 8 degree;
- Ice thickness: no more than 10mm.

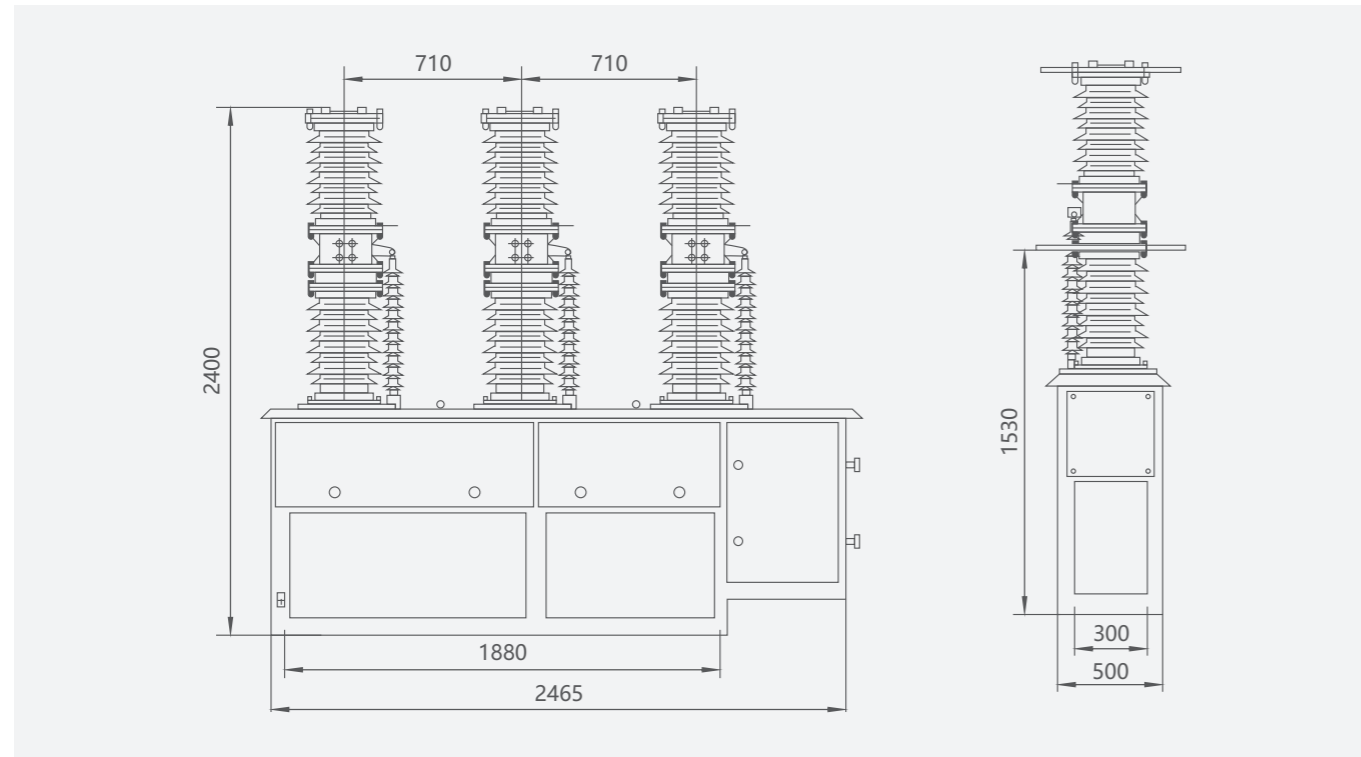
Technical data

Item	Unit	Parameter
Voltage, current parameters		
Rated voltage	kV	40.5
Rated short time power frequency withstand voltage (1min)	kV	95
Rated lightning impulse withstand voltage (peak)	kV	185
Rated current	A	1250, 1600, 2000
Rated short-circuit breaking current	kA	25, 31.5
Rated operating sequence		O-0.3s-CO-180s-CO
Rated short-circuit current breaking times	Times	12
Rated short-circuit closing current (peak)	kA	63, 80
Rated peak withstand current	kA	63, 80
Rated short-time withstand current	kA	25, 31.5
Rated short-circuit current duration	S	4
Average opening velocity	ms	1.5±0.2
Average closing speed	ms	0.7±0.2
Contact closing bounce time	ms	≤5
Three-phase close (open) synchronization error	ms	≤2
Closing time	ms	≤150
Opening time	ms	≤60
Mechanical life	Times	10000
Rated operational voltage and auxiliary circuits rated voltage	V	DC220, AC220
DC resistance of circle every phase (not including transformer)	μΩ	≤100
Dynamic, static contact allowed to wear thickness	mm	3
Weight	kg	800

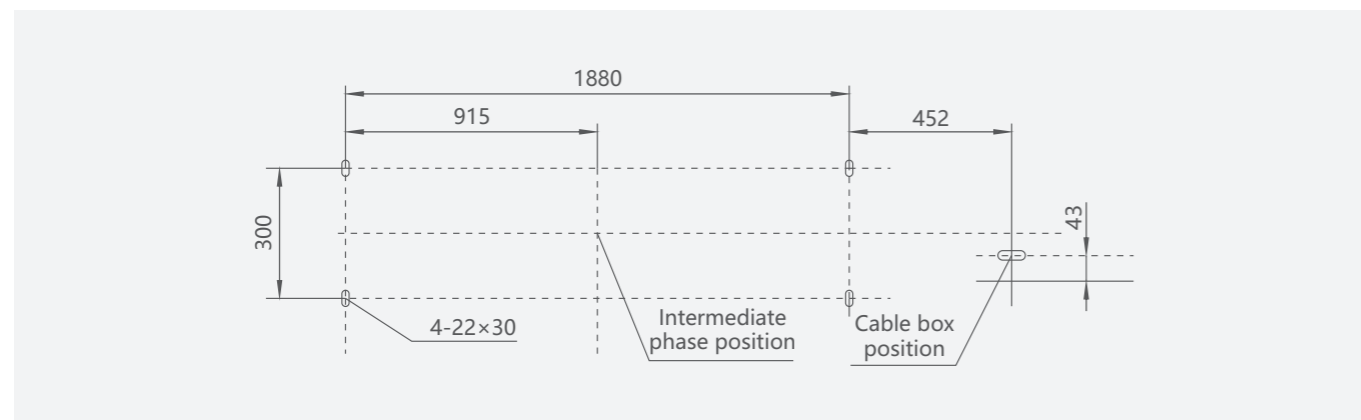
MV Circuit Breaker ZW7-40.5 Outdoor Vacuum Circuit Breaker

Overall and mounting dimensions(mm)

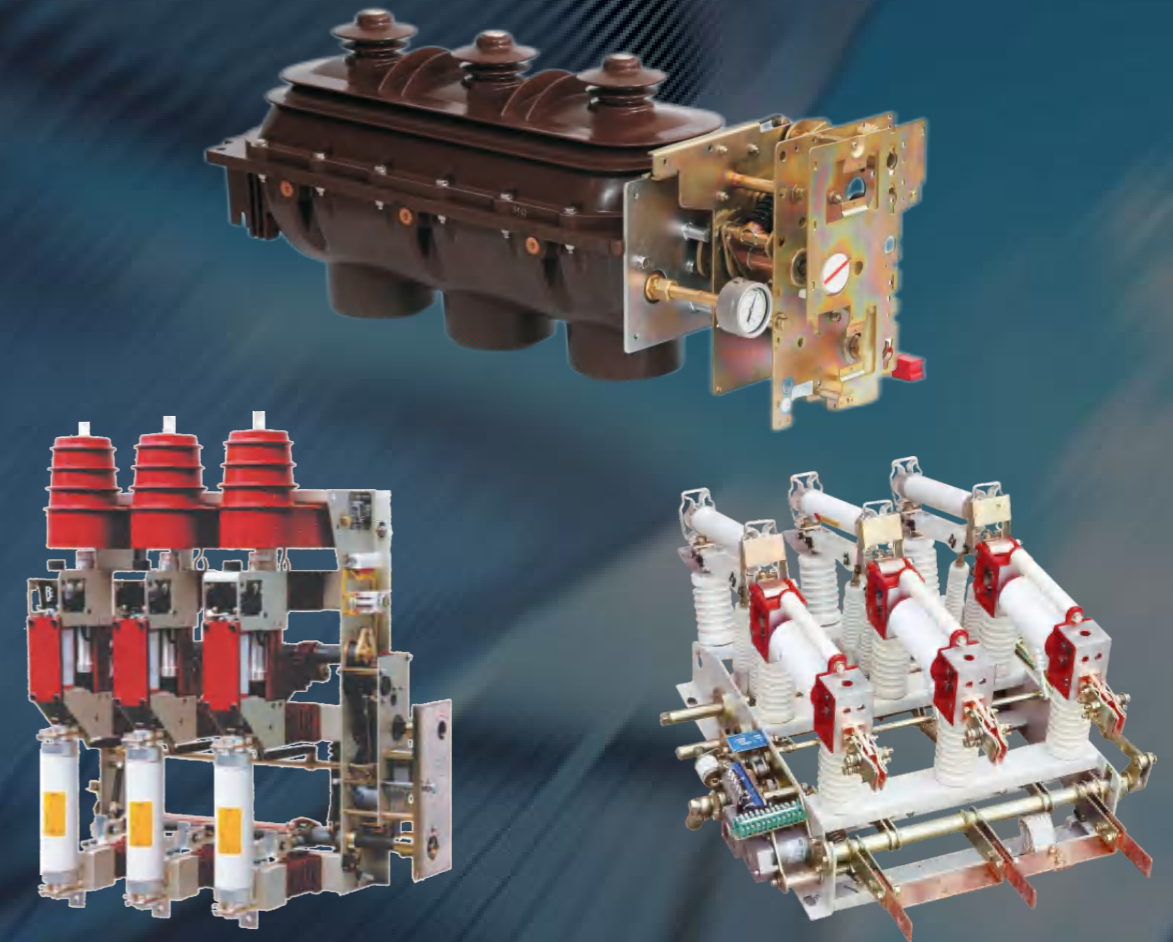
The ZW7-40.5 shape and size of installation



Installation base diagram



MV Load Switch



CNC
ELECTRIC

MV Load Switch

FLN36 Indoor SF6 Load Switch

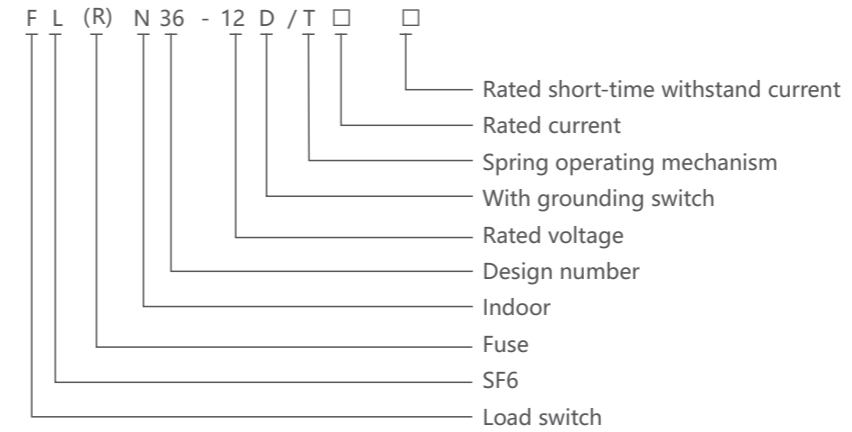
- FL(R)N36 indoor MV SF6 load switch is an indoor switchgear with rated voltage of 12kV, 24kV and 40.5kV, using SF6 gas as arc extinguishing and insulating medium, including three stations of closing, opening and grounding. It has the characteristics of small size, convenient installation and use, and strong applicability to the environment.
- Combine FL(R)N36 indoor high-voltage SF6 load switch with other electrical components to realize control and protection functions. It can be used for the control and protection of industrial and mining enterprises, civil power supply and electrical equipment in secondary substations. Among them, the load switch-fuse combined electrical appliance matches the protection characteristics of the transformer, and is especially suitable for the ring network power supply unit.
- Standard: IEC 60265-1, IEC 62271-105.

General

MV Load Switch

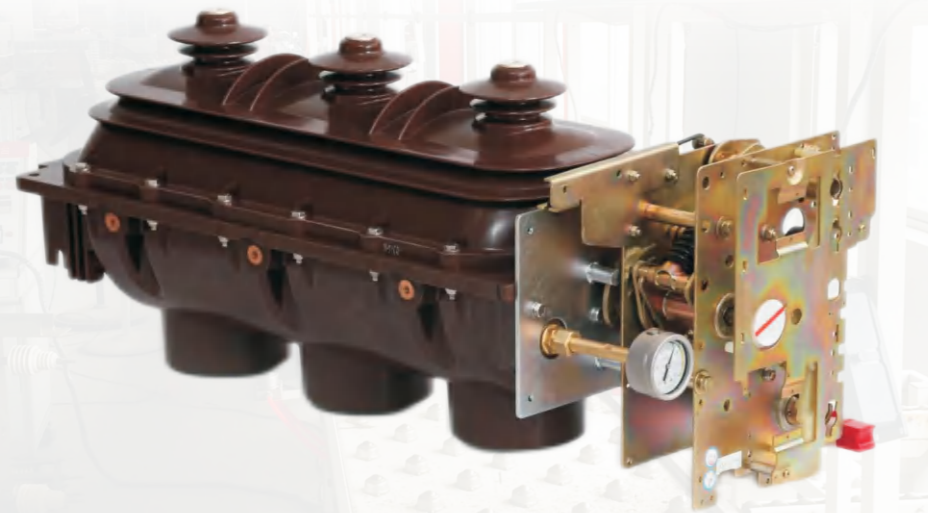
FLN36 Indoor SF6 Load Switch

Selection



Operating conditions

- Air temperature Maximum temperature: +40°C; Minimum temperature: -35°C
- Humidity Monthly average humidity 95%; Daily average humidity 90% .
- Altitude above sea level Maximum installation altitude: 2500m
- Ambient air not apparently polluted by corrosive and flammable gas, vapor etc.
- No frequent violent shake



MV Load Switch

FLN36 Indoor SF6 Load Switch

Technical data

Ratings	Unit	Value		
Rated voltage	kV	12	24	40.5
Rated lightning impulse withstand voltage	kV	75	125	170
Common value				
Across the isolating distance	kV	85	145	195
Rated short duration power frequency withstand voltage	kV	28	50	70
Common value				
Across the isolating distance	kV	32	60	80
Rated frequency	Hz	50/60	50/60	50/60
Rated current I _r	A	630	630	630
Rated short time withstand current	kA	25	20	20
Rated duration of short circuit	s	2	3	3
Rated peak withstand current	kA	62.5	50	50
Pole Distance	mm	200, 210	210, 250, 275	350
Making and breaking tests (IEC 60265-1) for FLN36 switch				
Mainly active load current	A	630	630	630
Chosed-loop distribution circuit current	A	630	630	630
Cable charging current	A	50 and 10	50 and 10	50 and 10
Line charging current	A	20	20	20
Cable and line charging current under earth faults	A	87	87	87
Short circuit making current	kA	62.5	50	50
Making and breaking tests (IEC 60420) for FRLN36 switch-fuse combination				
Withstand and switch on the cut-off current of the fuse	kA	25	20	20
Breaking test with I _{ng} preacing time of fuse		OK	OK	OK
Breaking capacity at rated transfer current	A	1530	920	630
Mechanical performance				
Mechanical endurance of switch close/open	Ns		1000	
Mechanical endurance of switch open/earth	Ns		1000	
Ambient temperature				
Maximum value	°C		55	
Maximum value of 24 h mean	°C		55	
Minimum value	°C		-15	
Altitude above sea level	m		≤1800	

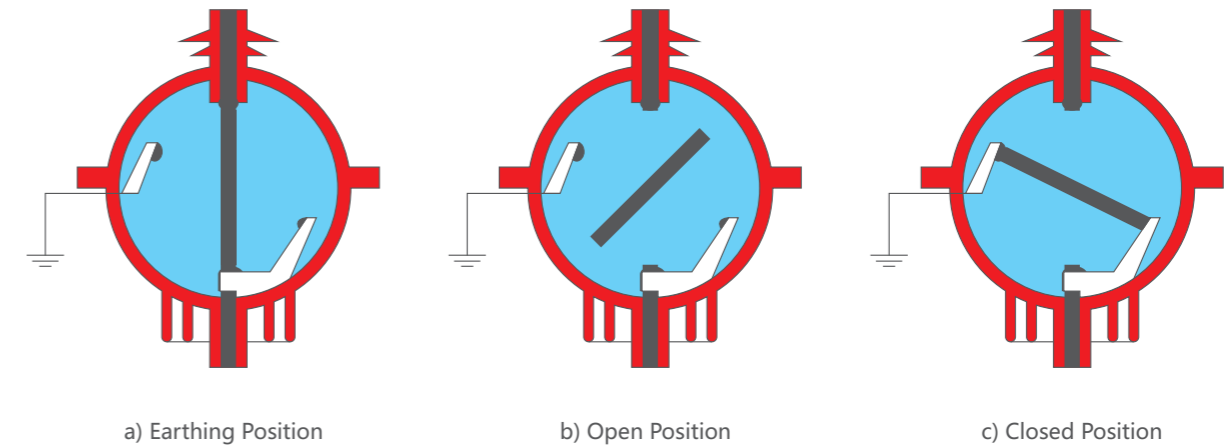
MV Load Switch

FLN36 Indoor SF6 Load Switch

Primary circuit loop of load break switch

Primary loop of FLN36 indoor load break switch and its combination is sealed in a epikote casted insulate unit by APG technology, this insulate unit has features of good insulating property, dust and dirts proof, insulate unit contains upper and lower insulate covers, inside charged 0.4bars pressure SF6 gas, the partial siding of lower cover is very thin, it's a protective measure and will burst out in the malfunction, the over pressed gas is released to protect the equipment.

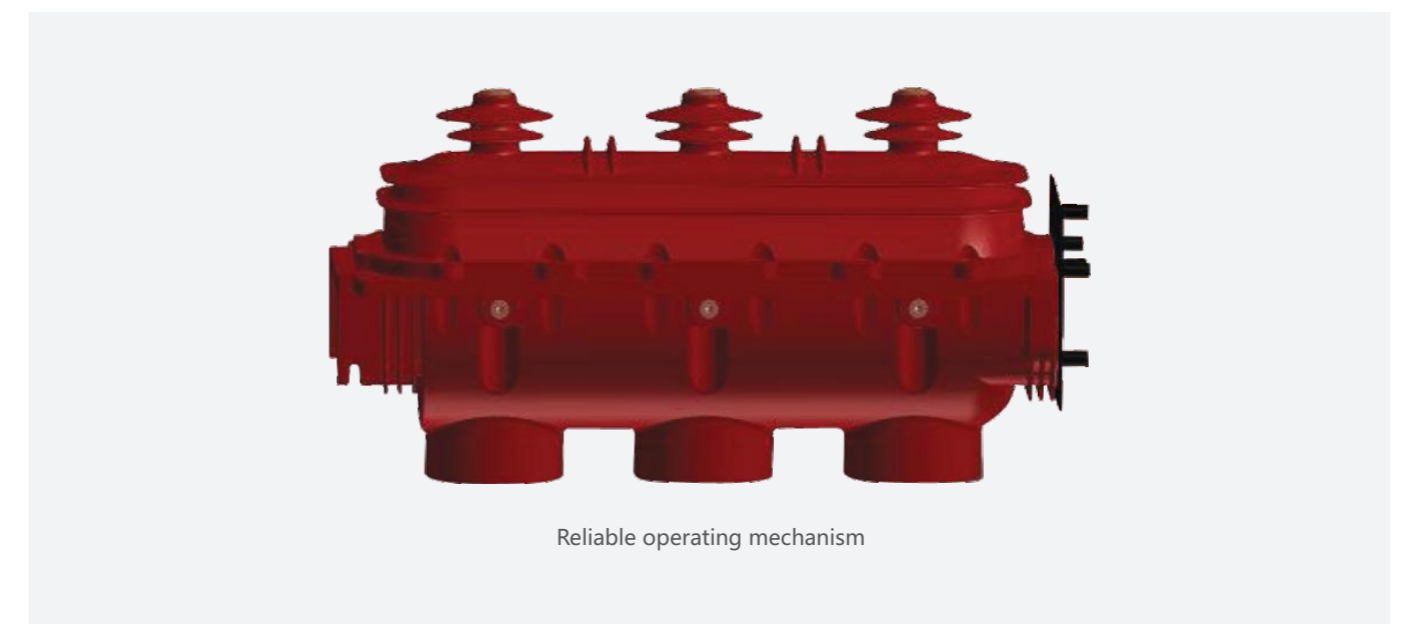
***SF6 load break switch and its fuse combination has open,close and earth three working position.



Arc extinction

FLN36-□D load break switch adopts SF6 gas as the medium of arc extinction, when switch on and off, arc occurs and will spin under the magnetic field effect ion by the permanent magnet, cooled by the SF6 gas and extricated finally.

This indoor SF6 load break switch and its fuse combination works with spring type operating mechanisms A and K,FLN36 load break switch equipped with the K spring operating mechanism is applied as the incoming control unit, while that equipped with A mechanism is applied as the outgoing protective unit and transformer unit.



MV Load Switch

FLN36 Indoor SF6 Load Switch

1. "K" Type Spring Operating Mechanism

Working principle of K type spring operating mechanism is spring press and release (see fig 1. it's in off position)

A) Earthing operation

Driven by the handle, the upper crank arm 4 rotates and compresses the spring 2 to store energy. When the maximum energy is reached, the crank arm continues to rotate, and the energy storage spring begins to release energy to drive the upper trigger, causing the connecting rod to drive the crank arm. The rotation of the crank arm drives the moving contact for earthing.

B) Switch on operation

Driven by the handle, the lower crank arm 1 rotates, the spring 2 is pressed to store energy, and when the energy is released, the trigger 8 is driven to make the connecting rod drive the crank arm, the crank arm rotates, drives the mobile contactor, and the load break switch is turned on.

C) Switch off operation

Rotate the main shaft crank arm counterclockwise by the handle, release the energy storage spring and the load break switch is turned off.

2. "A" Type Spring Mechanism

Working principle of A type mechanism is same as K type, in addition, it has fuse striker trip function. For A type mechanism, electromagnetic trip is also available on customers requirement.(see fig 2)

A) Switch on operation

Driven by the handle, lower crank arm 1 rotates to presse switch on spring 12 and switch off spring 8 at the same time, to provide sufficient energy required by switching off. when the lower crank arm 1 buckles the pin and drives trigger to move, it makes the lower roller wheel tripd, and release the switch on spring and load break switch is turned on.

B) Switch off operation

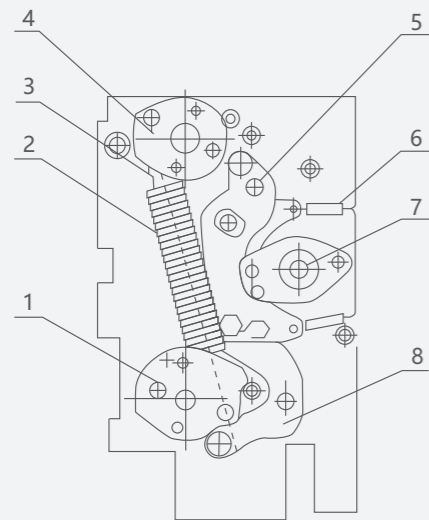
Press the switch off button or push the trip pin 2 by the fuse striker, release the spring and load switch is turned off .

C) Earthing operation

Earthing operation of A type mechanism is same as that of K type.

3. K type and A type operating mechanism can be operated manually or motorized on request.

Notice: only when the load break is turned off, can on and earthing operation be done.

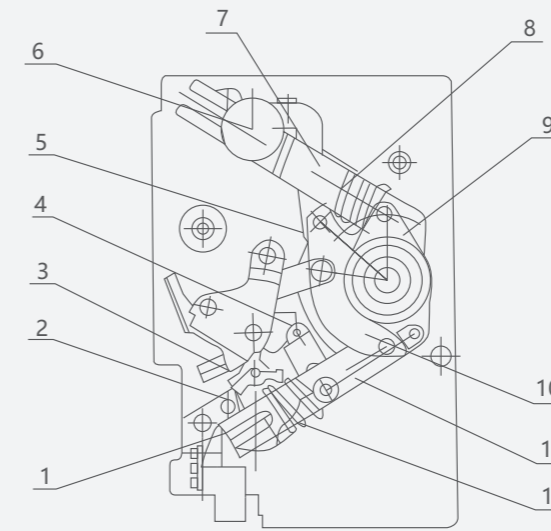


- 1-lower crank arm
- 2-energy storage spring
- 3-guider bar
- 4-upper crank arm
- 5-upper trigger
- 6-pull spring
- 7-main shaft crank arm
- 8-lower trigger

Fig 1: K type spring operating mechanism

MV Load Switch

FLN36 Indoor SF6 Load Switch



- 1-lower crankshaft
- 2-trip pin
- 3-cam
- 4-lower roller wheel
- 5-upper roller wheel
- 6-upper crankshaft
- 7-upper guider bar
- 8-switch off spring
- 9-energy storage crank arm
- 10-main shaft crank arm
- 11-lower guider bar
- 12-switch on spring

Fig 2: A type spring operating mechanism (switch on position)

Operating mechanism & Interlock

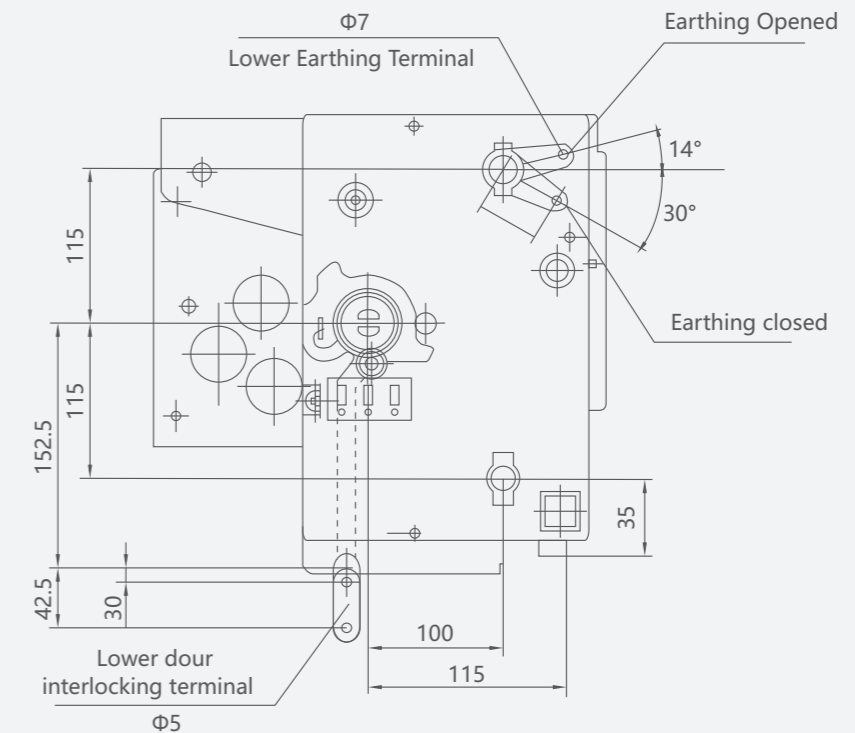
Mechanism Interlock

RLS-24D indoor type medium voltage SF6 load break switch and its fuse combination has below interlocks:

A) When load break switch turns on, earthing operation can't be done

B) When earthing switch turns on, load break switch turns on/off operation can't be done

C) Interlock outlet of mishandling pretension is equipped



MV Load Switch

FLN36 Indoor SF6 Load Switch

Overall and mounting dimensions(mm)

Matching dimension of SF6 load break switch-fuse combination

Fig 1) SF6 load break switch without upper cubicle

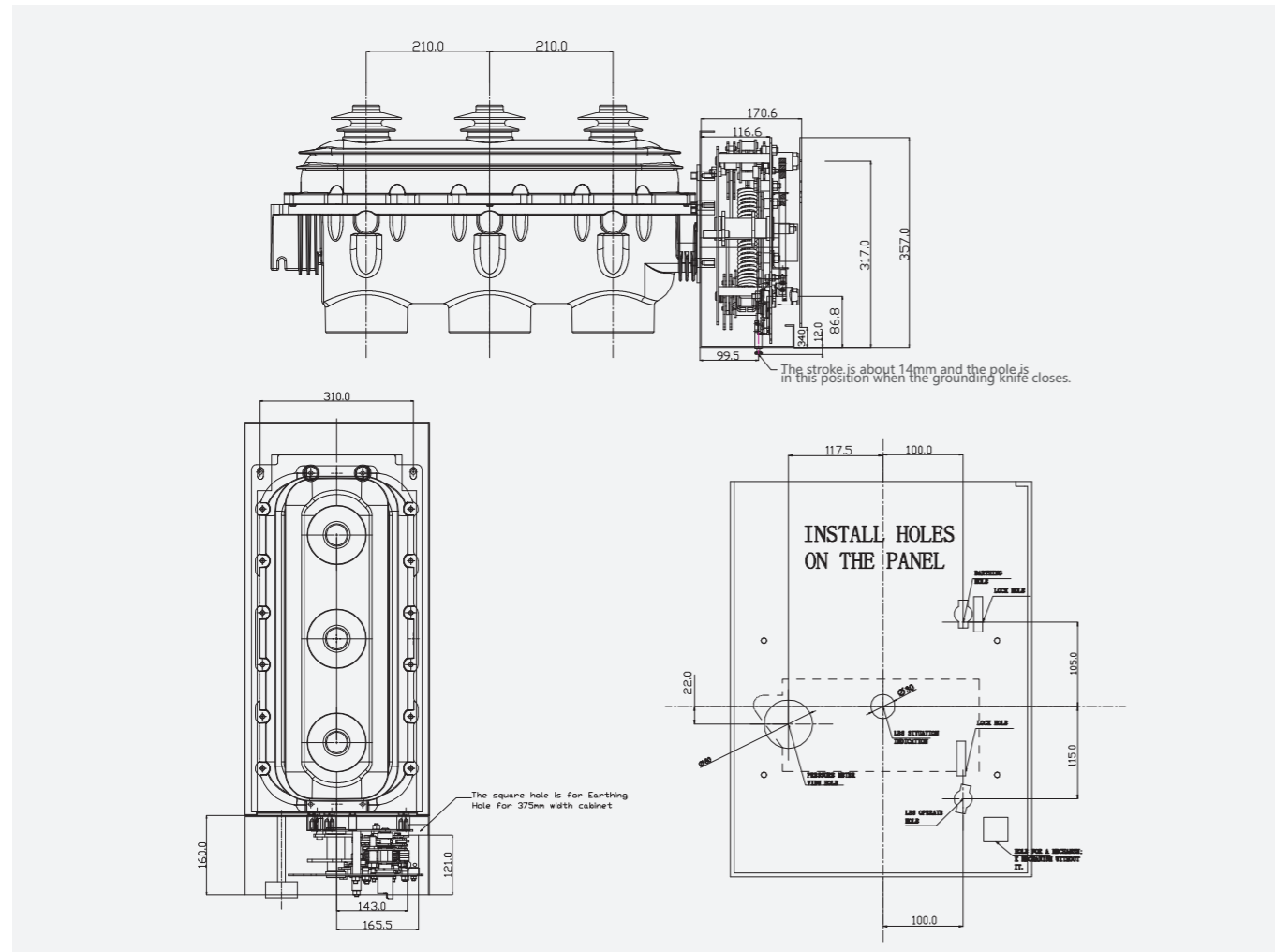
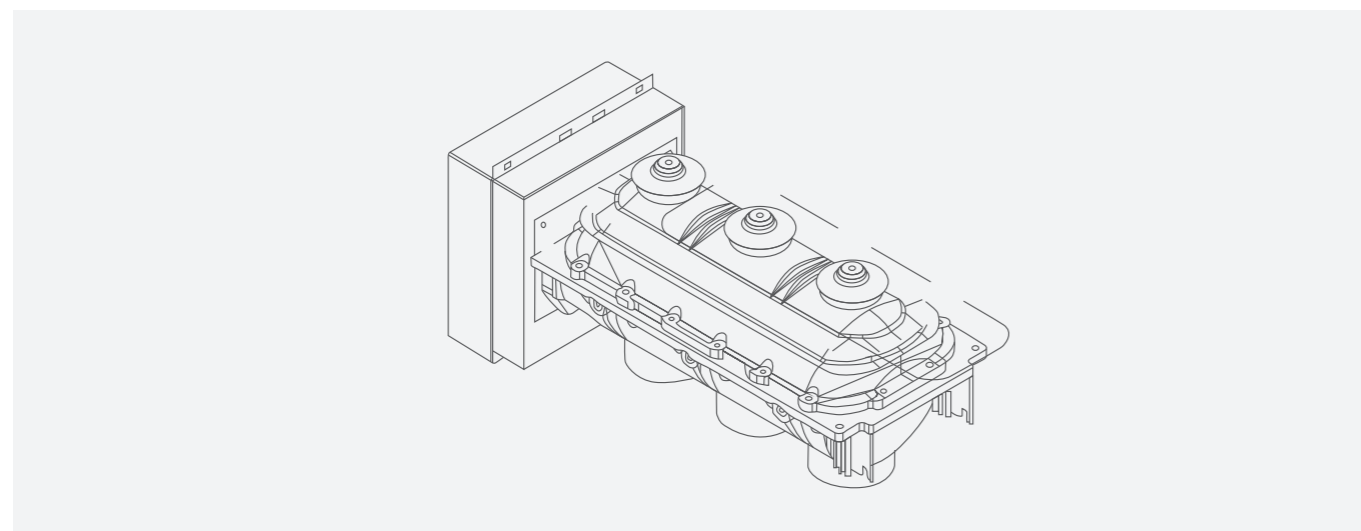


Fig 2) Whole Load break switch outline

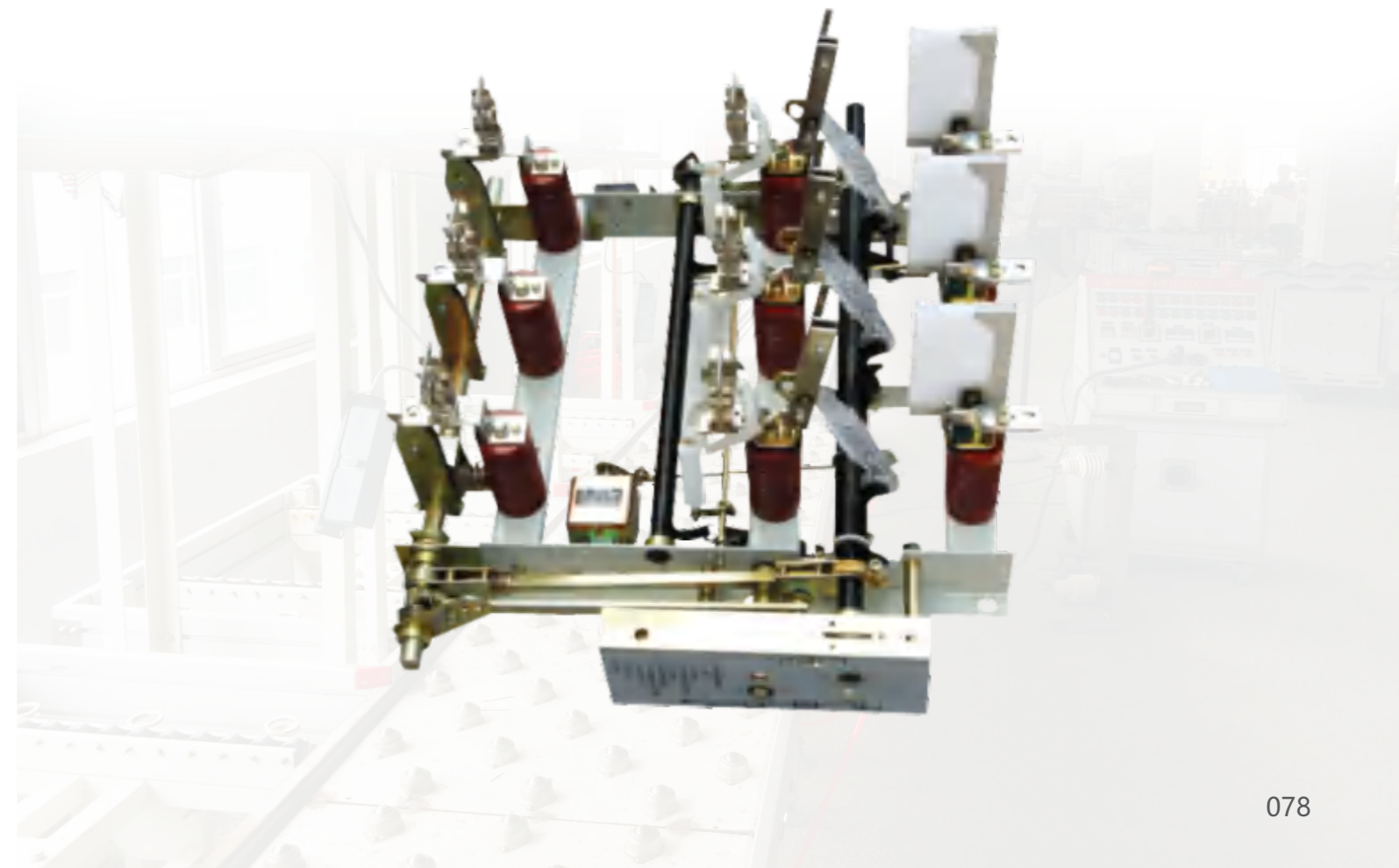


MV Load Switch

FN7-12R(L) Indoor Load Switch

- FN7-12R(L) AC MV load switch used in 50Hz, 12kV three phase AC power system.
- FN7-12R(L) series vacuum circuit breaker is indoor high voltage switch-gear with rated voltage 12kV, three-phase AC 50Hz, which is developed by introducing from Switzerland, ABB corporation technology and analyzing domestic profession development condition, productivity development manufacture product. The overall structure of this product is formed with the switch main body and operating device, uses the compound insulation structure, does not have the pollution and the explosion hazard, and the insulation level is high. This operating device of the series product is for the spring loaded type, can use the electrically operated operation, also can use the manual operation.
- Standard: IEC 60265-1, IEC 62271-105.

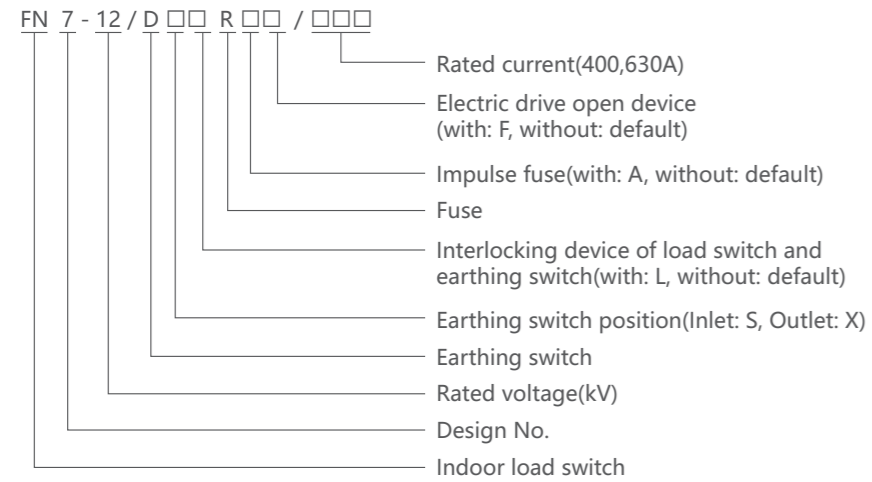
General



MV Load Switch

FN7-12R(L) Indoor Load Switch

Selection



Technical data

Rated voltage(kV)	Highest voltage(kV)	Rated current(A)	Industrial frequency voltage withstand in 1min(kV)	4S thermal stable current (effective value)(A)
12	12	400	42/48	12.5
12	12	630	42/48	20

Active stable current (peak value)(A)	Short circuit close current (A)	Rated open current (A)	Rated transfer current (A)
31.5	31.5	400	1000
50	50	630	1000

Type	Full type	DS Earthing switch at inlet position	DX Earthing switch at inlet position	L Interlocking device	R Fuse	R Impulse fuse	F Electric drive open device
Without release	FN7-12	-	-	-	-	-	-
	FN7-12DSL	△	-	△	-	-	-
	FN7-12DXL	-	△	△	-	-	-
	FN7-12R	-	-	-	△	-	-
	FN7-12DSL R	△	-	△	△	-	-
	FN7-12DXLR	-	△	△	△	-	-
With impulse release	FN7-12RAF	-	-	-	-	△	△
	FN7-12DSLRAF	△	-	△	-	△	△
	FN7-12DXLRAF	-	△	△	-	△	△

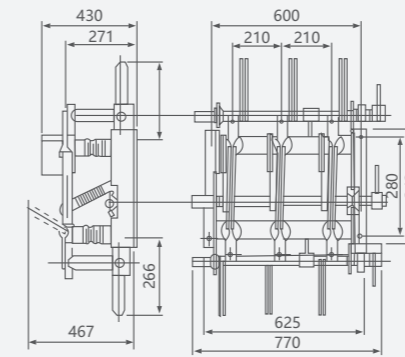
MV Load Switch

FN7-12R(L) Indoor Load Switch

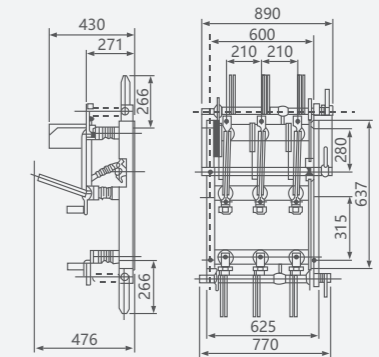
Rated data of fuse

Type	Rated voltage(kV)	Rated current(A)	Rated current of fuse link(A)
SDLA*J	12	40	6.3, 10, 16, 20, 25, 31.5, 40
SFLA*J	12	100	50, 63, 71, 80, 100
SKLA*J	12	125	125

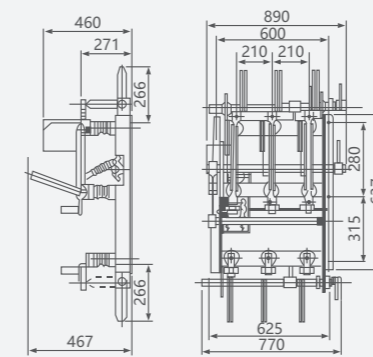
Overall and mounting dimensions(mm)



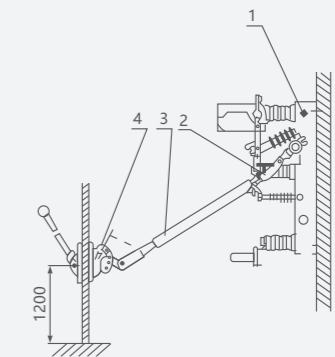
Drawing 1: Circuit load switch without tripping device



Drawing 2: Transformer protect load switch without tripping device



Drawing 3: Tripping device striking load switch



Drawing 4: Install drawing of CS6 operating device

MV Load Switch

FKN(R)12A-12 Indoor Vacuum Load Switch

- KN12A-12D pneumatic load switch and FKRN12A-12D series air compressor load switch fuse are combination apparatus; Suitable for the control and protection of power equipment such as transformers and overhead lines in three-phase distribution systems with a rated voltage of 12kV and below; Especially suitable for terminal substations and box substations in urban and rural power grids, suitable for control and protection of ring networks and dual radiation power supply units. The FKN12A-12D series pneumatic load switch can be used for breaking and making load current and overload current.
- FKRN12A-12D series air compressor load switch fuse combination apparatus can break and close load current, overload current and short-circuit current of the line.
- Standard: IEC 60265-1, IEC 265, IEC 420.

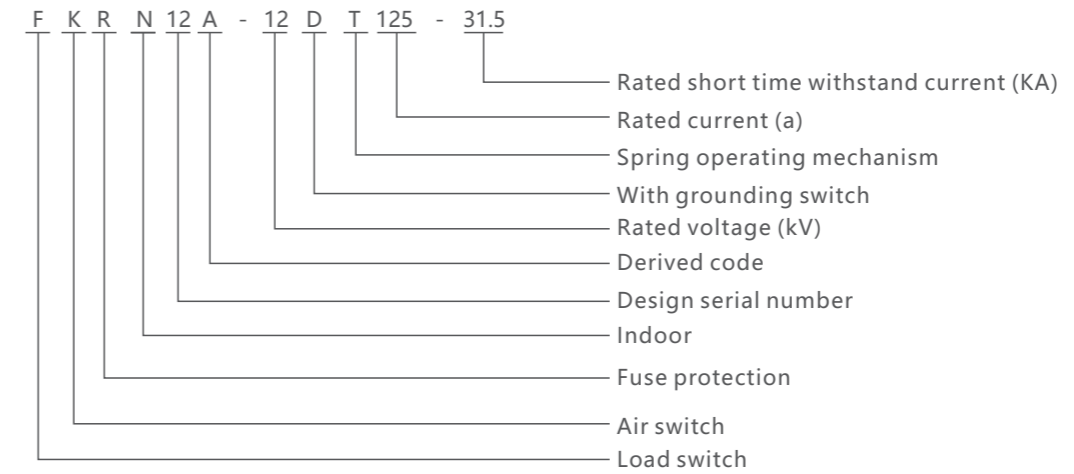
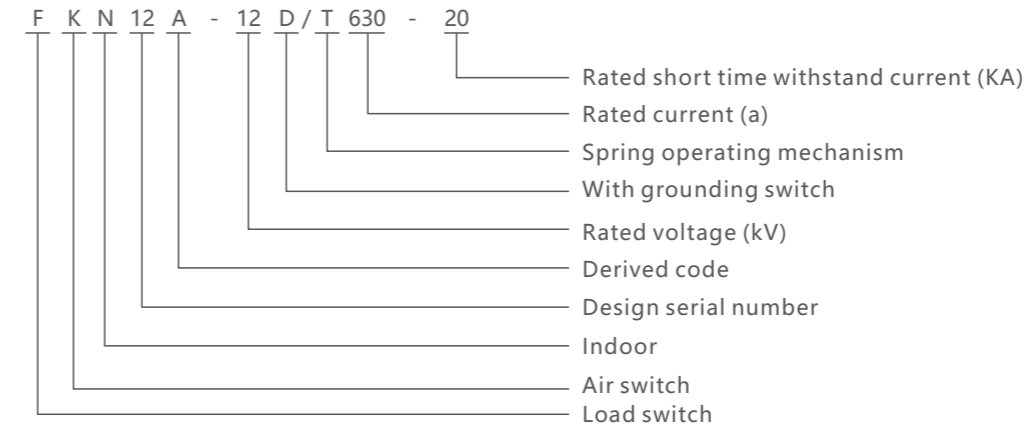
General



MV Load Switch

FKN(R)12A-12 Indoor Vacuum Load Switch

Selection



Operating conditions

- Ambient air temperature: upper limit + 40°C , The lower limit is - 25°C ;
- The altitude is not more than 1000m;
- Relative air temperature: the target average value shall not be greater than 95%.and the monthly average value shall not be greater than 90%;
- The seismic intensity should not exceed 8 degrees;e.
- No fire, explosion, chemical corrosion and severe vibration places;
- Pollution level: II

MV Load Switch

FKN(R)12A-12 Indoor Vacuum Load Switch

Technical data

Name		Company	FKN12A-12D	FKRN12A-12D
Rated voltage		KV	12	12
Rated frequency		Hz	50	50
Rated current		A	630	125
Rated insulation level	1min power frequency withstand voltage	To ground, alternate	42	42
		Isolation fracture	48	48
	Lightning impulse withstand voltage (peak value)	To ground, alternate	75	75
		Isolation fracture	85	85
Rated short time withstand current (thermally stable current)		Load switch	20	/
		Earthing switch	20	/
Rated shortcircuit duration (thermal stability time)		Load switch	4	/
		Earthing switch	2	/
Rated short circuit making current (peak value)		KA	50	/
Rated breaking current	Rated active load Breaking current		630	/
	Closed loop breaking current		630	/
	5% active load Breaking current		31.5	/
	Cable charging breaking current		10	/
	Switching off no-load transformer Compressor capacity		KVA	1250
Rated short circuit breaking current (current limiting fuse)		KA	/	31.5
Rated transfer current		A	/	1200
Impactor output energy		Swcond	2000	2000
Mechanical life		J	/	1±0.5

Name	Company	Data
Fracture opening distance	mm	≥175
Center distance between phases		210±2
Air gap between phases		≥125
Trip		210±4
Overtravel		41±3
Three phase closing in different periods	ms	≤10
Three phase opening in different periods		≤5
Inherent opening time of shunt release		40~65
Main circuit resistance		μΩ

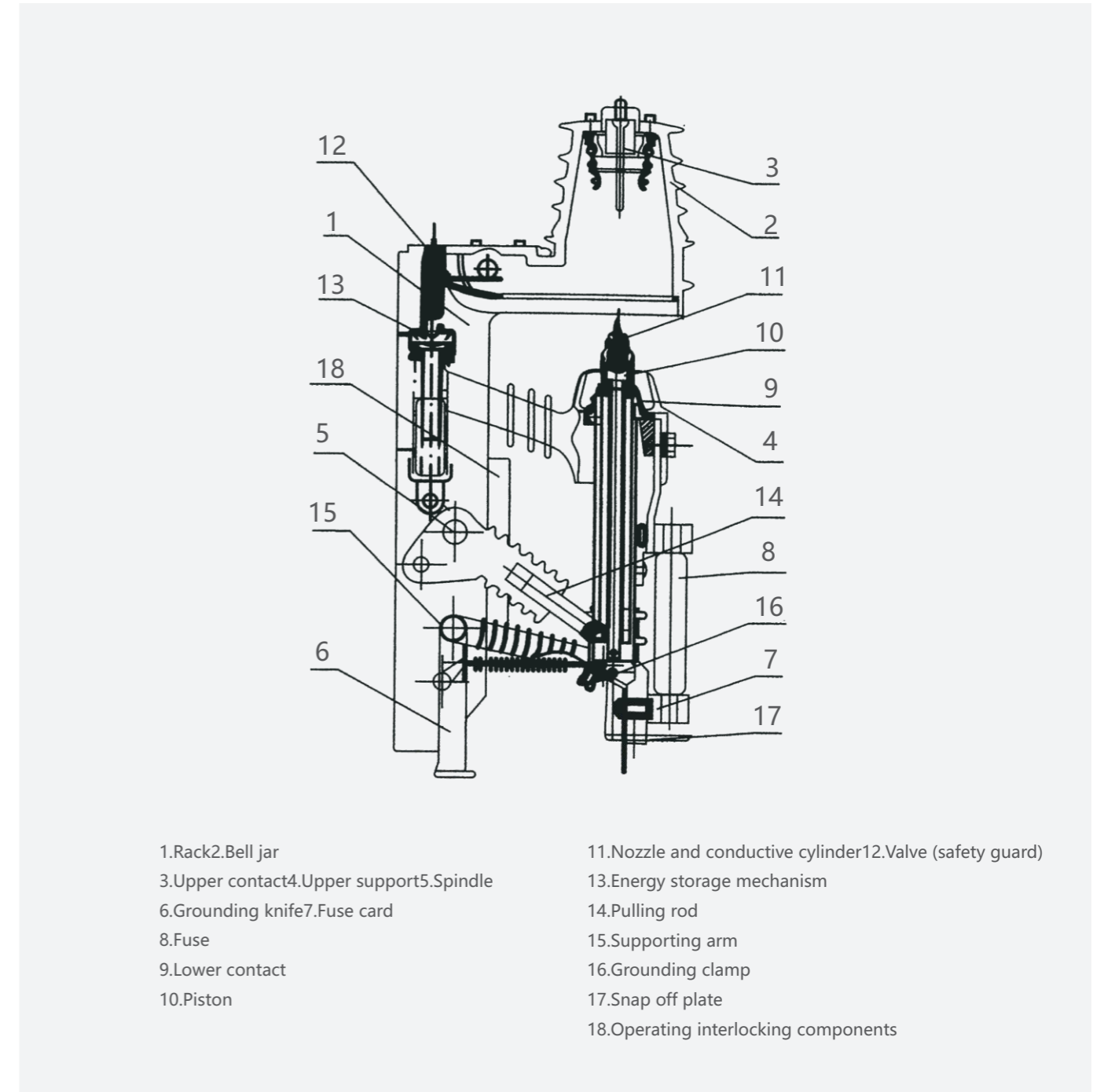
Transformer capacity (kVA)	100	125	160	200	250	300/315	400	500	630	750/800	1000	1250
Rated current of fuse (A)	16	16	16	20	25	31.5	40	50	63	80	80 100	100 125

MV Load Switch

FKN(R)12A-12 Indoor Vacuum Load Switch

structure

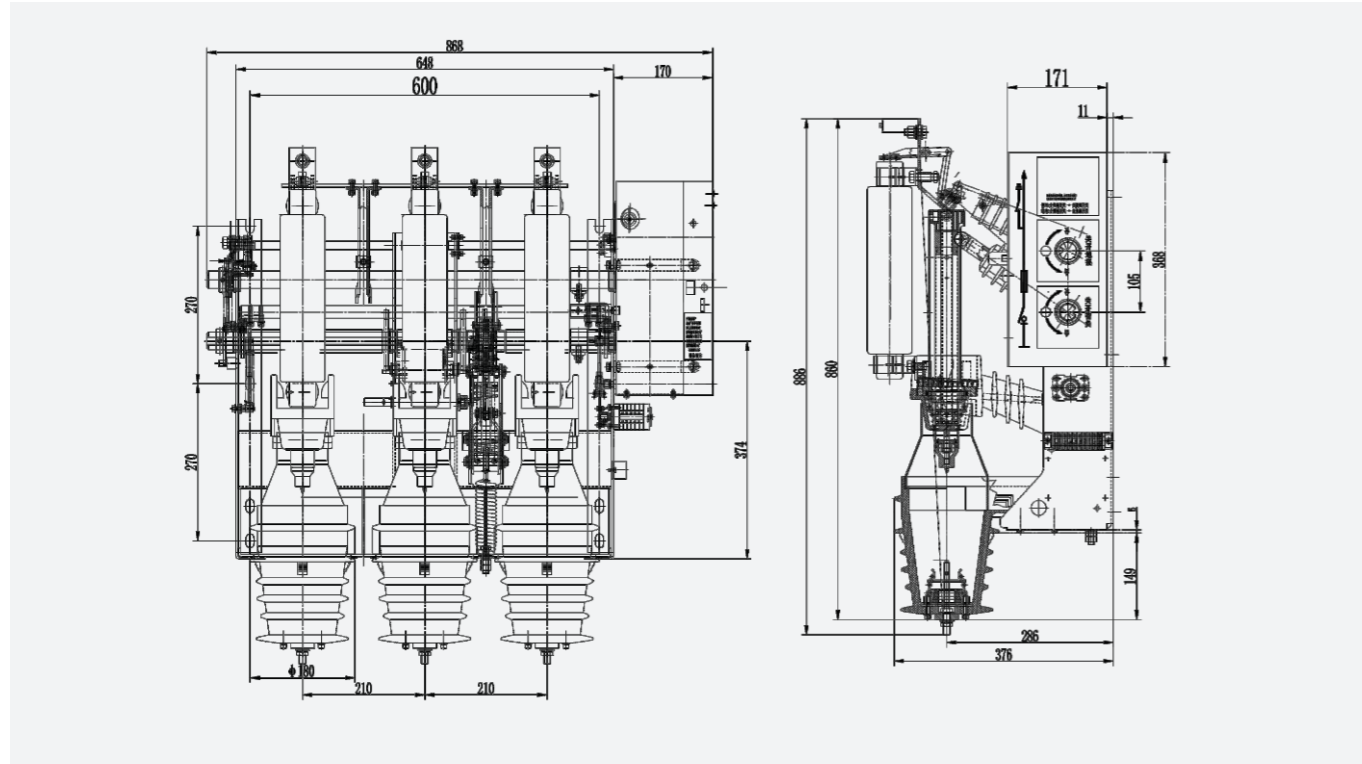
The typical structure of this series of products is shown in Figure 6



MV Load Switch
FKN(R)12A-12 Indoor Vacuum Load Switch

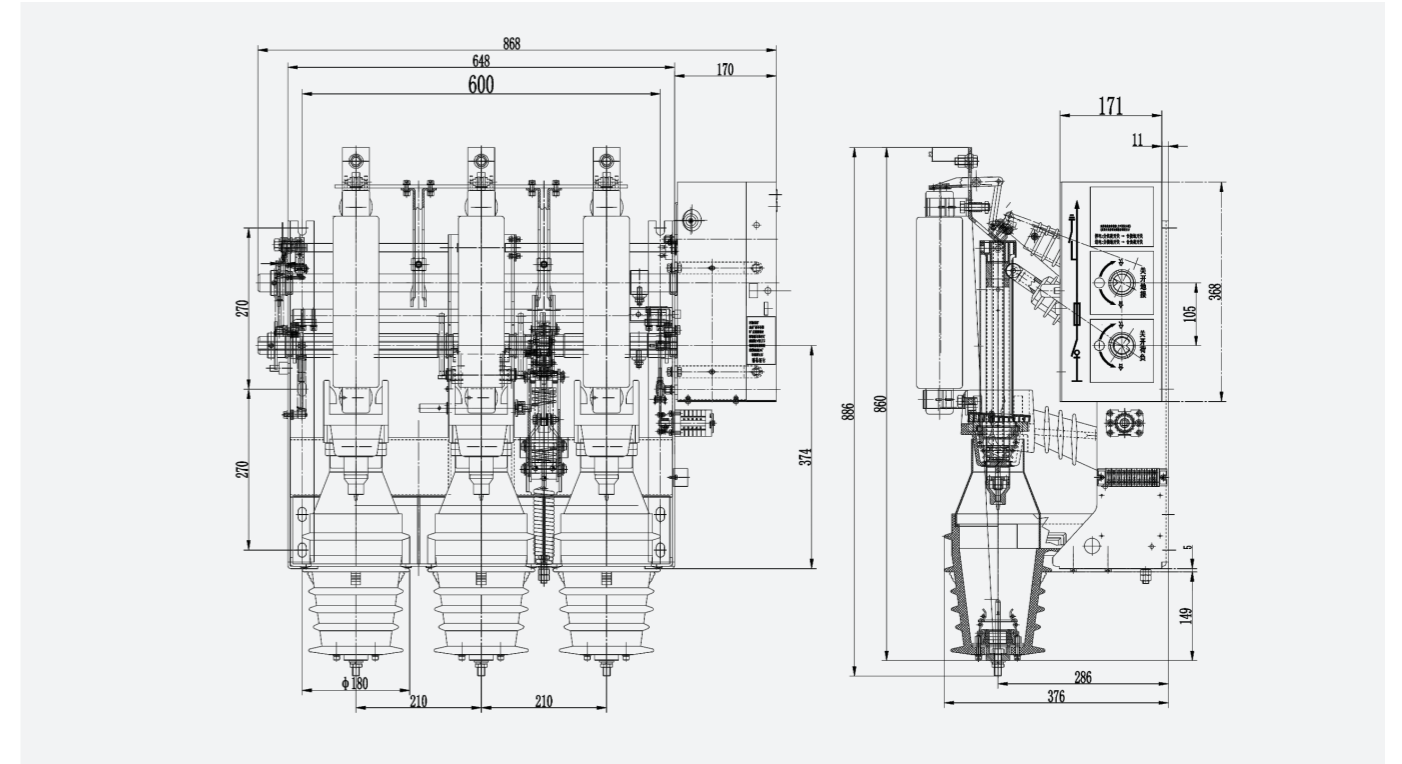
Overall and mounting dimensions(mm)

New FKN12 installation size formal installation(Inverted Right)

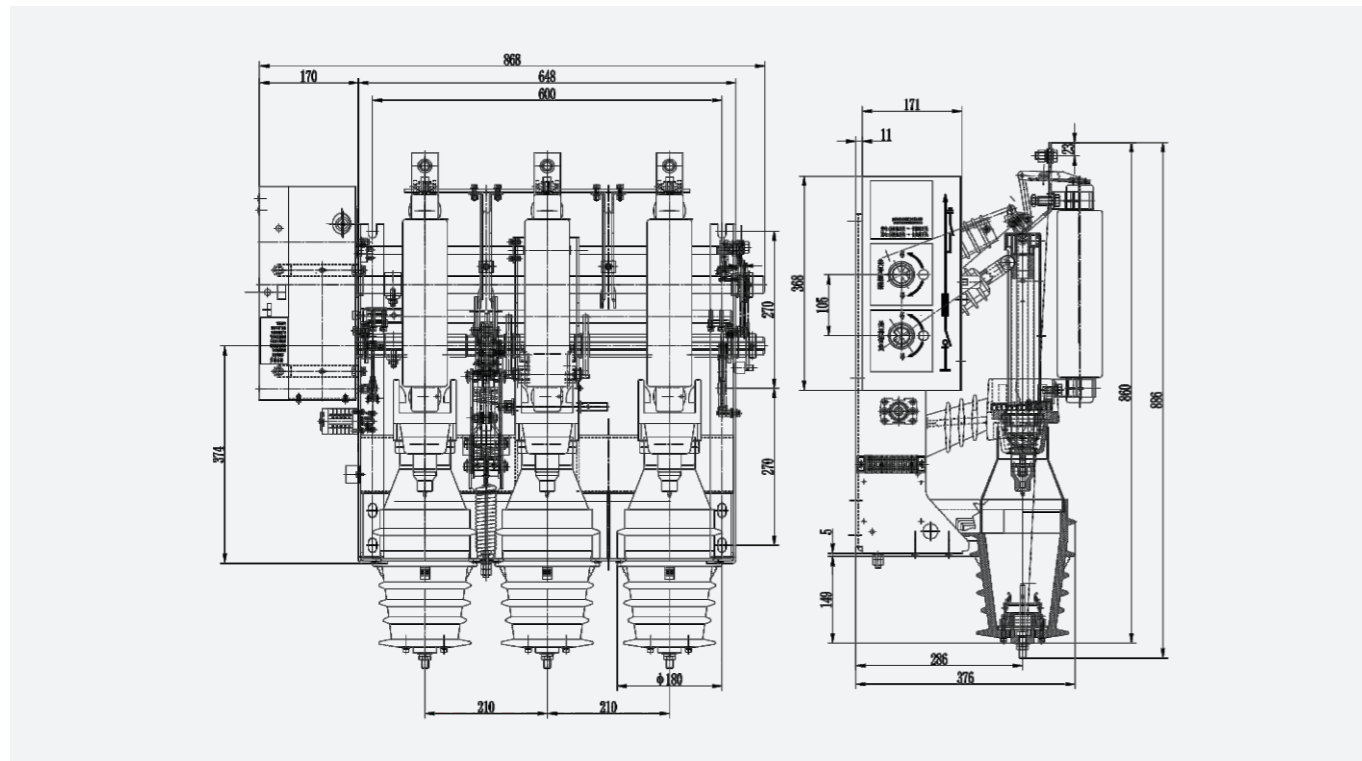


MV Load Switch
FKN(R)12A-12 Indoor Vacuum Load Switch

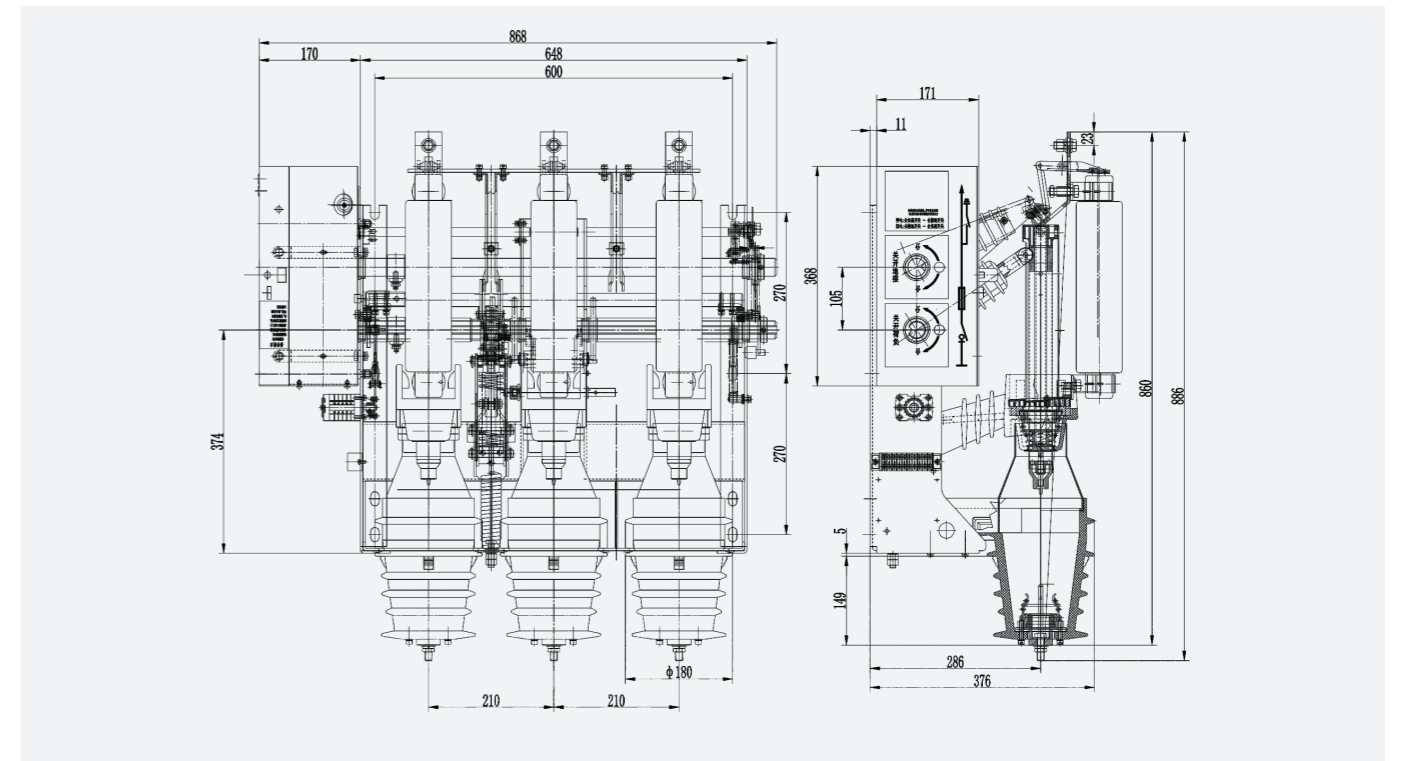
New FKN12 Installation Size Inversion(Inverted Right)



New FKN12 installation size formal installation(Inverted Left)



New FKN12 Installation Size Inversion(Inverted Left)



MV Load Switch

FZ(R)N21-12 Indoor Vacuum Load Switch

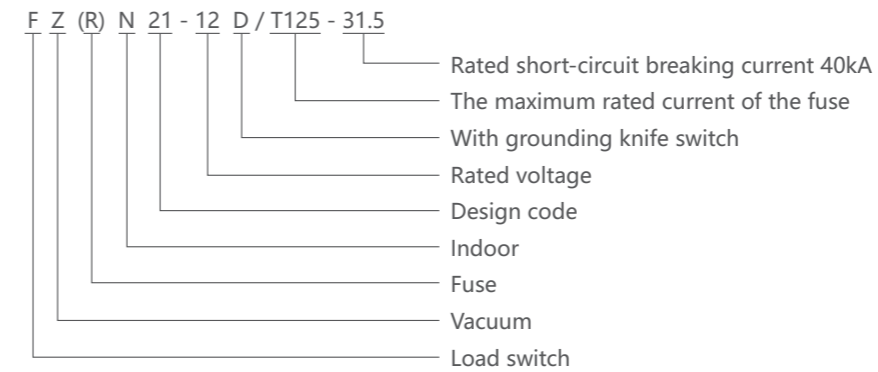
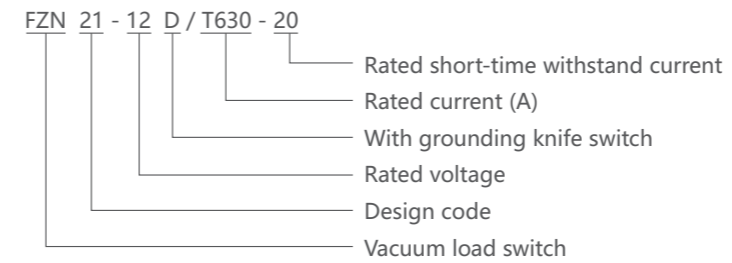
- FZ(R)N21-12D indoor MV vacuum load switch and composite apparatus, used for circuit AC 50Hz, rated voltage 12kV, plays power distribution, control and protection of electrical equipment function. It can replace the expensive circuit breaker in a certain range, thus saving the power grid investment costs. The combination of electrical appliances can be widely used in the ring network power supply system in urban and rural areas. Under normal operation condition, it can close, bear and break rated current, also can break the specified short-circuit current under abnormal conditions, especially suitable for the control and distribution and protection of transformer.
- Standard: IEC 60265-1, IEC 62271-105.

General

MV Load Switch

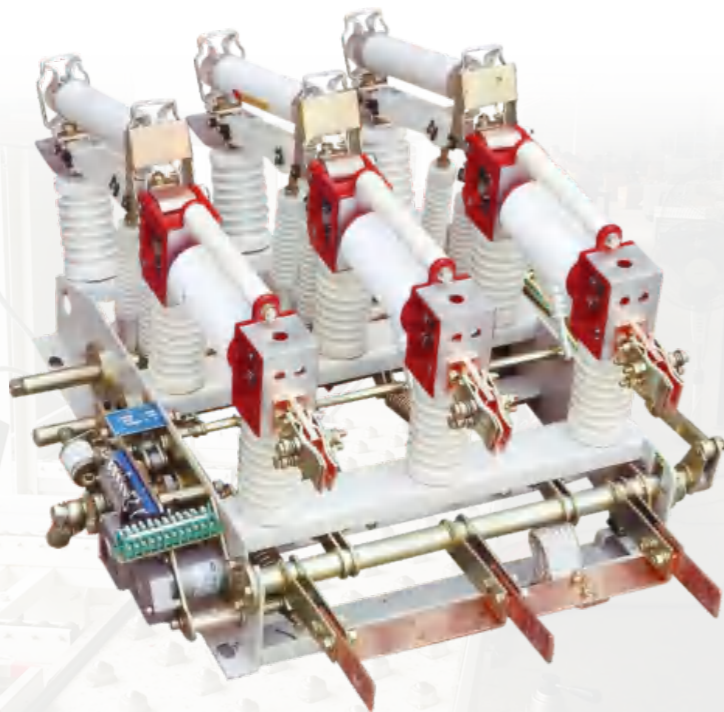
FZ(R)N21-12 Indoor Vacuum Load Switch

Selection



Operating conditions

- Altitude: no more than 1000m;
- The environment temperature: upper limit +40°C, lower limit -30°C;
- Relative humidity: daily average value is not greater than 95%, monthly average is not greater than 90%;
- Saturated steam pressure: daily average value is not higher than 2.2×10^{-3} Mpa, monthly average is not higher than 1.8×10^{-3} Mpa;
- No severe vibration, no corrosive gas, no fire, no explosion danger place.



MV Load Switch

FZ(R)N21-12 Indoor Vacuum Load Switch

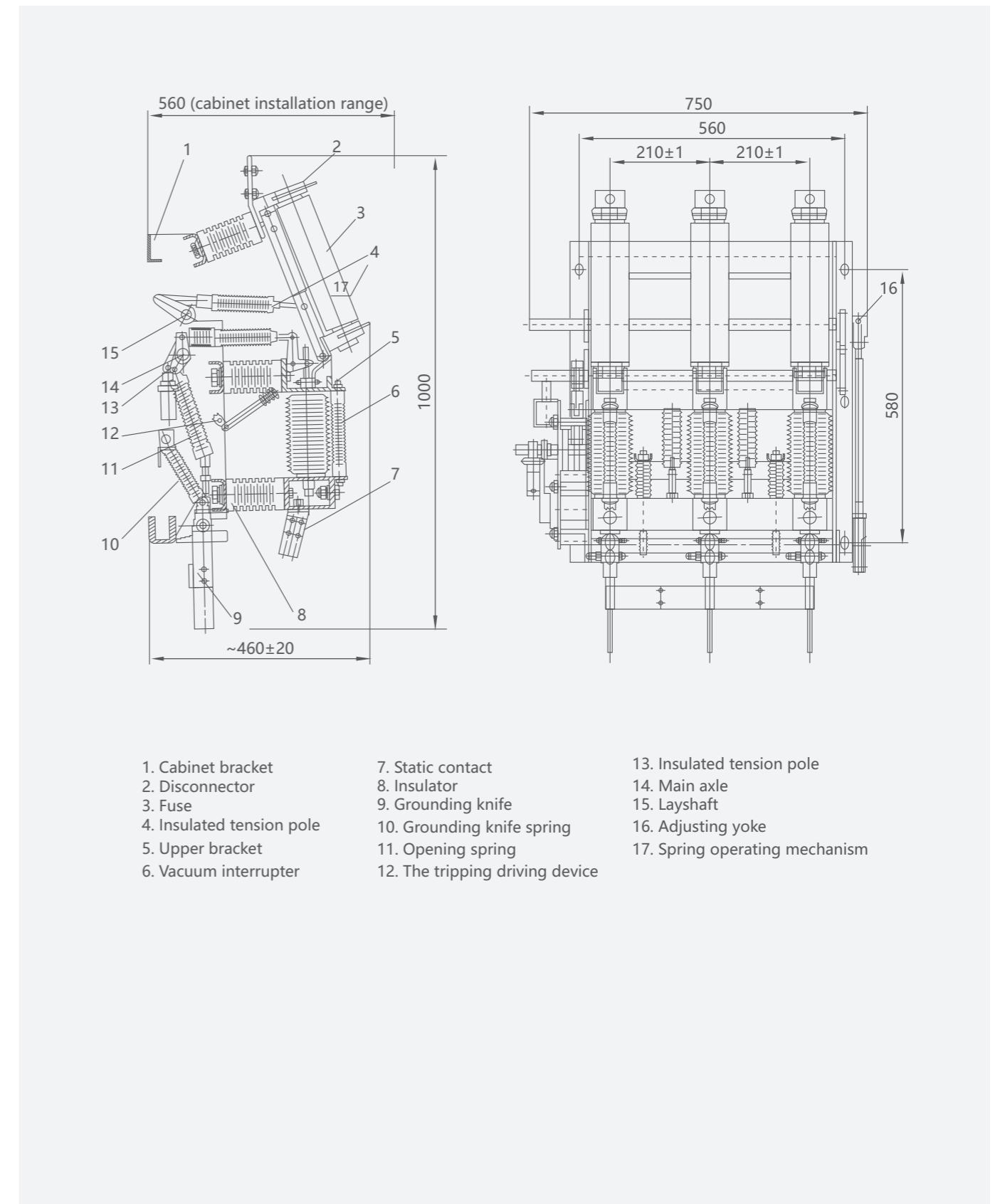
Technical data

Item	Unit	Parameter
Technical parameter of combinations		
Rated voltage	kV	12
Rated frequency	Hz	50
The maximum rated current of the fuse	A	125
Transfer current	A	1550
The fuse triggered switch segment time	ms	40±5
Rated short-circuit breaking current	kA	31.5
Rated short-circuit closing current (prospective peak value)	kA	80
1min power frequency withstand voltage (vacuum fracture, interphase, phase to earth / isolation fracture)	kV	42/49
The lightning impulse withstand voltage (vacuum fracture, interphase, phase to earth / isolation fracture)	kV	75/85
Fuse impinger type		Medium-sized
Technical parameters of vacuum load switch of combined electrical appliance		
Rated voltage	kV	12
Rated frequency	Hz	50
Rated current	A	630
Rated active load breaking current	A	630
Rated close loop breaking current	A	630
5% at rated load breaking current	A	31.5
Rated cable charging breaking current	A	10
Interrupting no load transformer capacity	kVA	1250
1min power frequency withstand voltage (vacuum fracture, interphase, phase to earth / isolation fracture)	kV	42/48
The lightning impulse withstand voltage (vacuum fracture, interphase, phase to earth / isolation fracture)	kV	75/85
4s rated short-time withstand current	kA	31.5
Rated peak withstand current	kA	80
Rated short-circuit closing current	kA	80
Mechanical life	Times	10000
Allowable cumulative thickness wear in contact	mm	2
Opening and closing operating torque	N·m	≤200

MV Load Switch

FZ(R)N21-12 Indoor Vacuum Load Switch

Overall and mounting dimensions(mm)



MV Load Switch

FZ(R)N25-12 Indoor Vacuum Load Switch

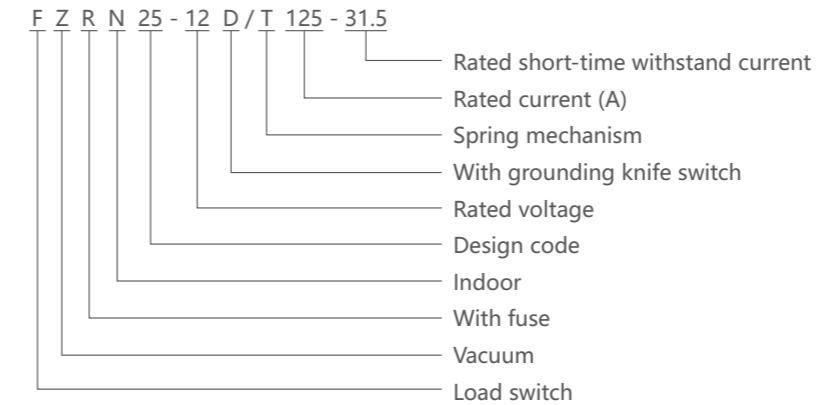
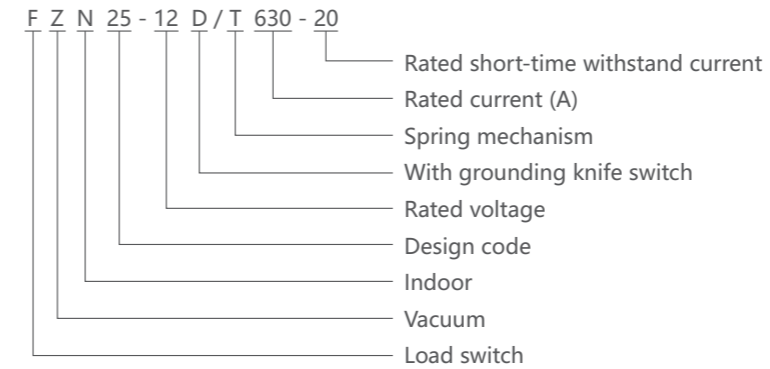
- FZN25, FZRN25 vacuum load switch and composite apparatus, suitable for three-phase AC 50Hz ring network or terminal power supply and industrial electrical equipment, for load control and short circuit protection use, load switch open and close the closed loop current, no-load transformer and cable charging current, composite apparatus can break any current till rated short circuit current.
- Adopt the straight move or isolating fracture and vacuum interrupter linkage. With function of manual and electric operation.
- FZN25, FZRN25 special transmission structure design, arc extinguish chamber only withstand voltage in the moment of closing and breaking, small size, low price.
- FZN25, FZRN25 can realize isolation fracture and arc extinguish chamber fracture disposable operating.
- FZN25, FZRN25 has a grounding switch mutual linkage grounding valve between the static contact and movable conductive cylinder, ensures safety and convenient maintenance.
- Standard: IEC 60265-1, IEC 62271-105.

General

MV Load Switch

FZ(R)N25-12 Indoor Vacuum Load Switch

Selection



Operating Conditions

- Ambient air temperature: upper limit +40°C, lower limit -25°C (allow storage at -30°C), 24h average value is not higher than +35°C;
- Altitude: no more than 1000m;
- Relative humidity: daily average value is not greater than 95%, monthly average is not greater than 90%;
- Earthquake intensity: do not exceed 8 degree;
- The surrounding air is not corrosive and flammable gas, steam and other significant pollution;
- No regular violent vibration;
- Contamination grade: II class;

MV Load Switch

FZ(R)N25-12 Indoor Vacuum Load Switch

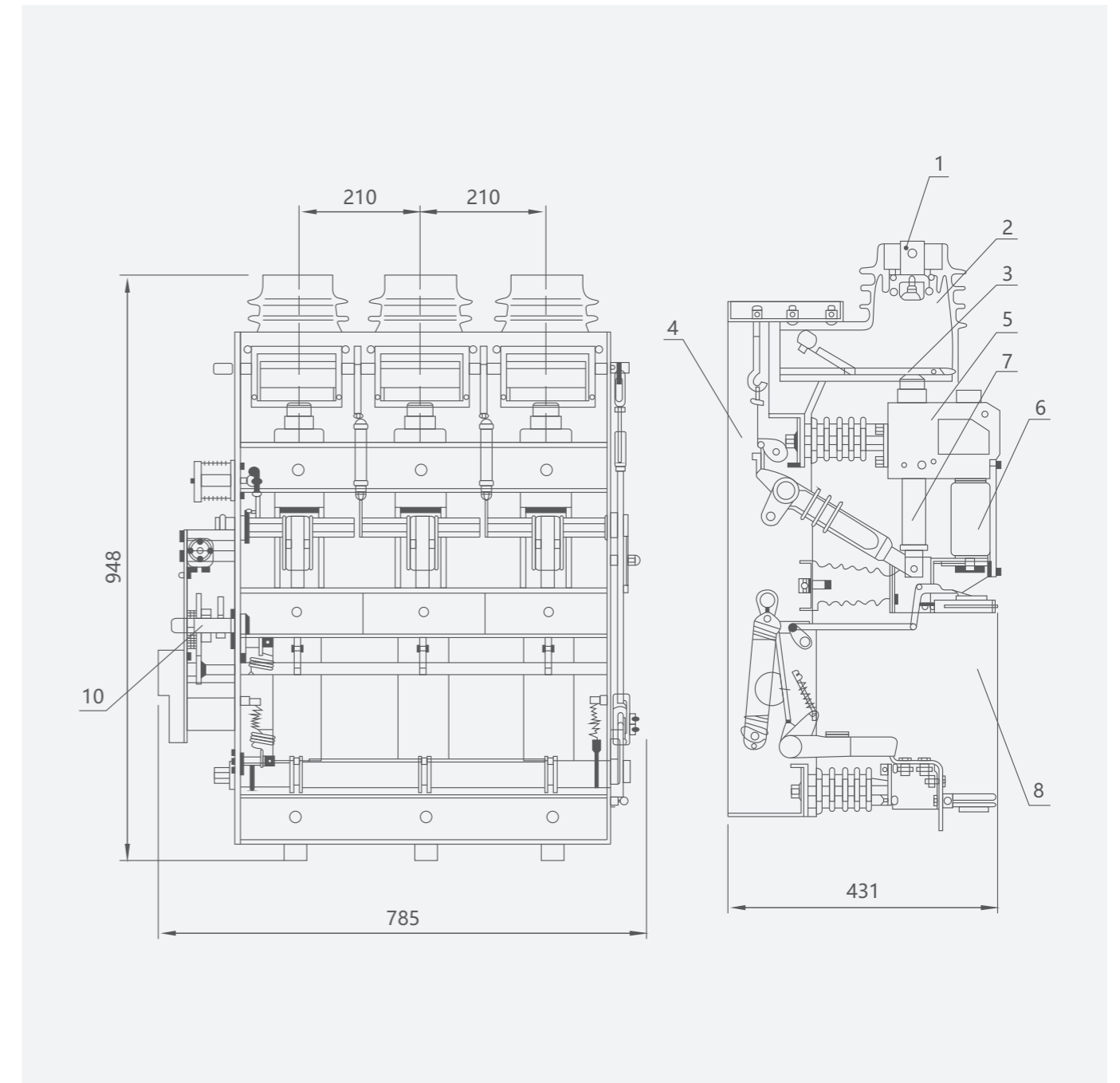
Technical data

Item	Unit	FZN25-12D/ T630-20	FZRN25-12D/ T125-20
Voltage, current parameters			
Rated voltage	kV	12	
Rated frequency	Hz	50	
Rated current	A	630	125
Rated short time power frequency withstand voltage (1min)	kV	Interrupter fracture 30; phase to earth 42; isolation fracture 48	
Rated lightning impulse withstand voltage (peak)	kV	Phase to earth 75; isolation fracture 85	
Rated peak withstand current	kA	50	-
4s rated short-time withstand current	kA	20	-
Rated active load breaking current	A	630	-
Rated loop breaking current	A	630	-
Rated cable charging breaking current	A	10	-
Interrupting no load transformer capacity	kVA	1250	-
Rated short-circuit breaking current	kA	-	31.5
Rated transfer current, rated AC current	A	-	2000
Fuse type			SDLAJ-12 SFLAJ-12
The impactor energy output	J		2-5 (medium)
Rated short-circuit closing current	kA	50	
Grounding switch rated stability current	kA	50	
Grounding switch 2S thermal stability current	kA	20	
The auxiliary circuit rated voltage	V	≈220/110	
Mechanical life	Times	10000	

MV Load Switch

FZ(R)N25-12 Indoor Vacuum Load Switch

Outline and mounting dimensions



MV Load Switch

FZW28-12F Outdoor Vacuum Load Switch

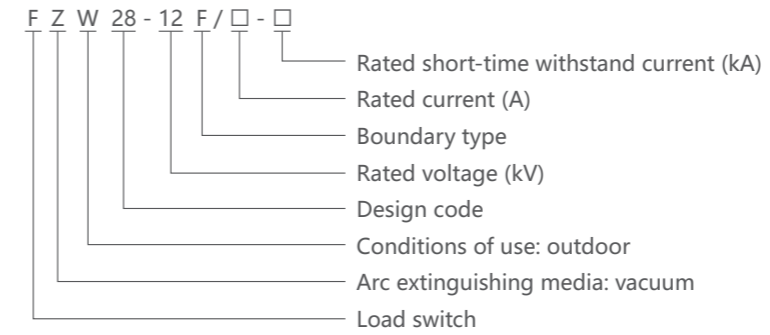
- The FZW28-12 outdoor sectionalizer vacuum load switch is equipped with fault detection, protection, control, and communication functions that can autonomously isolate single-phase grounding faults and automatically isolate phase-to-phase short-circuit faults. It is suitable for the incoming end or user end of 10kV distribution lines and can also be used at other branching line connections that meet the requirement

General

MV Load Switch

FZW28-12F Outdoor Vacuum Load Switch

Selection



Operating conditions

1. Altitude: ≤ 2000 meters;
2. Environment temperature: $-40^{\circ}\text{C} \sim +85^{\circ}\text{C}$;
3. Relative humidity: $\leq 90\%$ (25°C);
4. The maximum daily temperature difference: 25°C ;
5. Protection grade: IP67;
6. The maximum ice thickness: 10mm.



FZW28-12F

MV Load Switch

FZW28-12F Outdoor Vacuum Load Switch

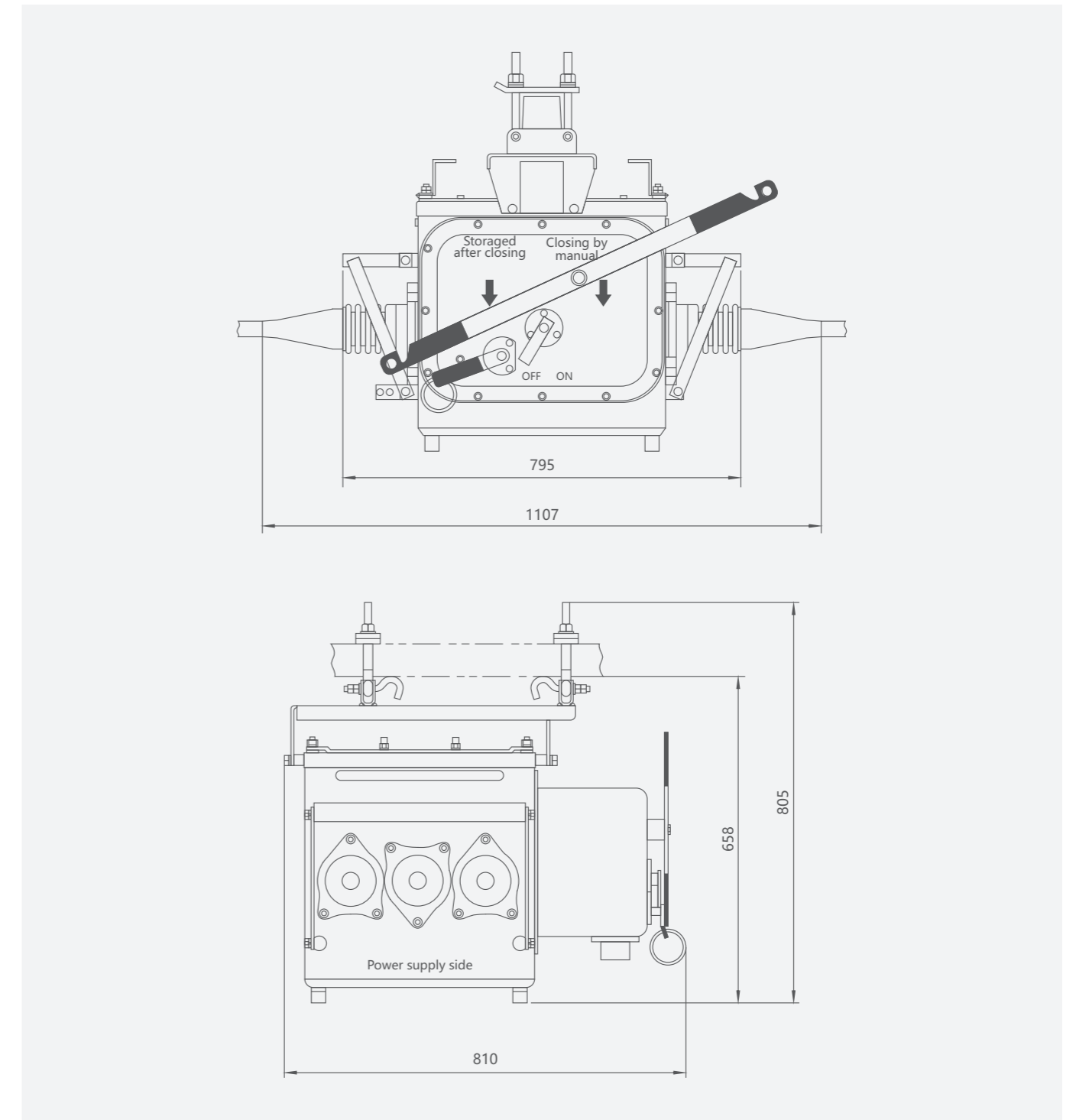
Technical data

Item	Unit	Parameter
The switch body		
Rated voltage	kV	12
Power frequency insulation withstand voltage (Interphase and phase to ground / fracture)	kV	42/48
Lightning impulse withstand voltage (Interphase and phase to ground / fracture)	kV	75/85 (peak)
Rated current	A	630
Rated short-time withstand current	kA	20
Rated thermal stability time	S	2
Rated short-circuit close current (peak)	kA	40
Rated dynamic stability current (peak)	kA	40
Rated cable charging breaking current	A	20
Rated switching unloaded transformer inductor current	A	< 5
Mechanical life	Times	10000
Measurement and control unit		
Type		FDR-100
Input voltage		AC220±20%
Input voltage frequency	Hz	50
The output voltage (opening operation)		DC48V
Interphase short-circuit protection setting current value		0.2-1.0 adjustable
Grounding protection of zero sequence current setting value		10-200mA adjustable
Grounding protection action time setting value		0-10s adjustable
Setting value permitted error		±5%
Insulation resistance (external terminal to ground / input terminal to output terminal)		> 100MΩ/DC500V
Power frequency withstand voltage (ibid.)		2000V/1min
Impulse withstand voltage (ibid.)		5000V, 1.2/50μs The positive and negative three times each

MV Load Switch

FZW28-12F Outdoor Vacuum Load Switch

Overall and mounting dimensions(mm)



MV Load Switch

FZW32-12 ~40.5 Outdoor Vacuum Load Switch

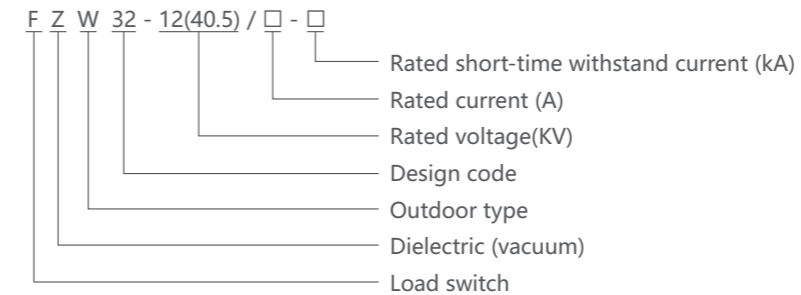
- FZW32-12 (40.5) outdoor MV isolating vacuum load switch is a new type of load switch which is the integration of mature experience of domestic existing load switch and advanced technology design of external. This load switch is composed of isolating switch, vacuum interrupter and operating mechanism and other parts. By using the principle of vacuum interrupter, with strong arcing ability, reliable performance, long service life, small volume, no explosion danger, no pollution etc advantage. The product can be used in transmission and distribution system of electric power, metallurgy, mine, chemical industry and other departments as control equipment, especially suitable for frequent operation place.

General

MV Load Switch

FZW32-12 ~40.5 Outdoor Vacuum Load Switch

Selection



Features

FZW32-12 (40.5) type outdoor high voltage isolating vacuum load switch adopts the vacuum arc extinguish chamber, no explosion danger, no maintenance. The load switch isolation knife linkage with a three-phase vacuum interrupter, breaking and closing operation in good same period, and with reliable isolation fracture when breaking, namely has the function of isolation switch. Most of the switch body parts are made of stainless steel materials, the base frame is made by stainless steel materials or hot dip galvanizing and UV protection coating processing material, can effectively prevent corrosion and rusting, ensure the normal operation in the outdoor environment. Switch knife with a pressure spring, ensure that contact with sufficient contact pressure, such not only convenient operation, and can guarantee the reliability of switching.

The isolating fracture and arc fracture of the load switch are in parallel during the opening and closing process, the arc fracture as arc, does not bear the load current task, while the isolation fracture only undertake the load current and short circuit closing task, not to participate in the arc, which not only simplifies the arc structure, and the whole structure of switch simple, stable performance; installation and operation convenient and reliable, long service life. It is a kind of economic, ideal outdoor switchgear.

The handle hook rod actuator; the operating handle is mounted on the load switch spindle end, and fastened by nuts, both ends of the handle are marked with "opening", "closing" instructions, the operator may according to need to use hook rod to hook the end of "opening" or "closing", to make the spindle rotate, spring past middle mechanism drive the isolation knife assembly and vacuum interrupter actuator motion, namely realize the switch breaking and closing. (this applies to 12kV)

Under rod mechanism operating; the load switch is installed at the upper part of the wire rod, operating mechanism is arranged in the lower part, ensure that the handle keep away from the ground not more than 1100mm, if the operation of connecting rod is more than three meters should add support guide in the middle of rod. (operating mechanism and guide support as the product accessories supply to the user) (this applies to 12kV)

Electric operation (this applies to 12kV/40.5kV)

Operating conditions

- Ambient temperature: upper limit +40°C, lower limit -30°C; Days difference does not exceed 32K;
- Altitude: 1000m and the following areas;
- Wind pressure: no more than 700Pa (corresponding to the wind speed 34m/s);
- Air pollution level: IV class
- Earthquake intensity: do not exceed 8 degree;
- Ice thickness: no more than 10mm.

MV Load Switch

FZW32-12 ~40.5 Outdoor Vacuum Load Switch

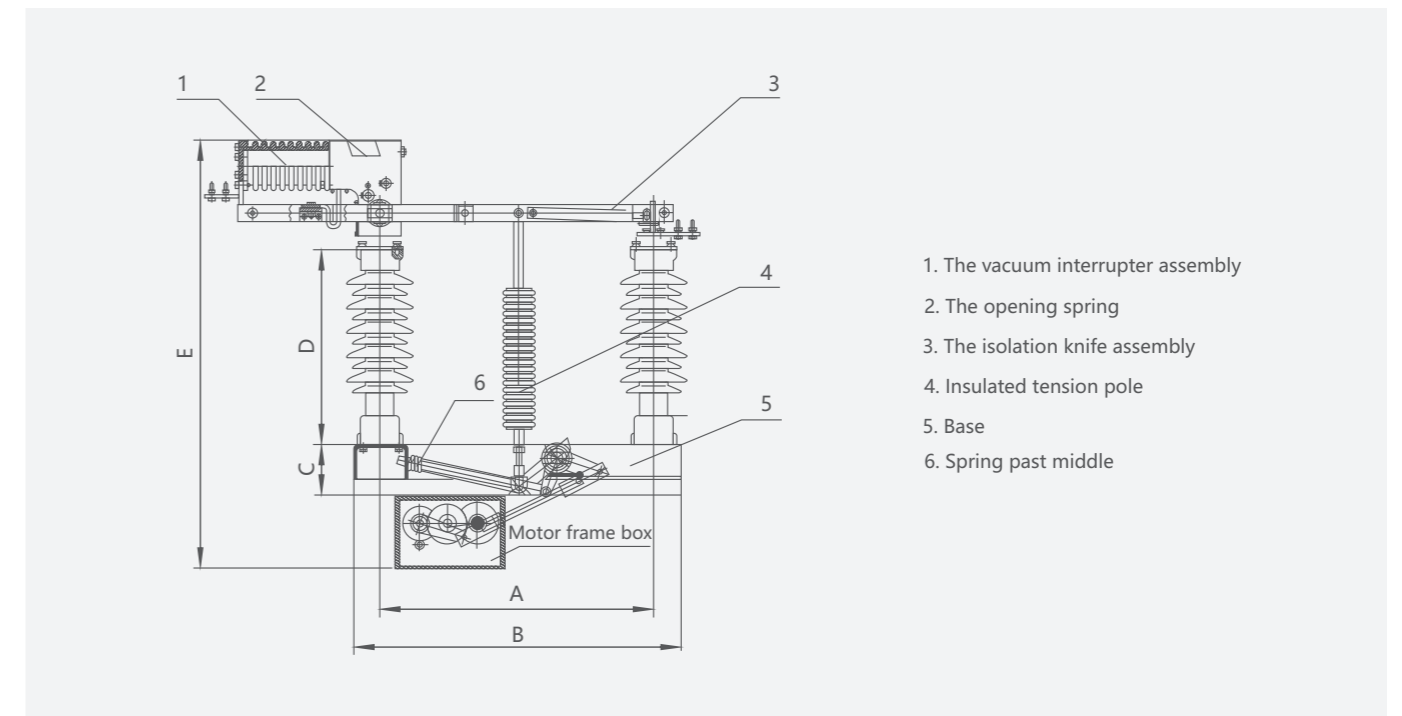
Technical data

Item	Unit	Parameter			
Load switch main technical parameters and mechanical properties					
Rated voltage	kV	12	40.5		
Rated current	A	630	1250		
Rated frequency	Hz	50	50		
Rated peak withstand current	kA	50	63		
Rated short-time withstand current	kA	20	25		
Rated short-time withstand current duration	S	4	4		
Rated active load breaking current	A	630	1250		
Rated closed loop breaking time	A	630	1250		
Rated cable charging breaking current	A	10	10		
5% at rated active load breaking current	A	31.5	63		
Rated no-load transformer breaking current rated capacity	kVA	1250	1250		
Rated short-circuit closing current	kA	50	63		
The main circuit of electronic		$\mu\Omega$	≤ 150	≤ 100	
1min power frequency withstand voltage(RMS)	Dry test	Between poles and poles to the ground	kV	42	95
		Isolating fracture	kV	48	110
	Wet test	Between poles and poles to the ground	kV	30	85
Lightning impulse withstand voltage (peak)	Between poles and poles to the ground	kV	75	185	
	Isolating fracture	kV	85	215	
Mechanical life		Times	10000	10000	
Three-phase, switching in different period		ms	≤ 5	≤ 5	
The contact blade just close position deviation		mm	≤ 2	≤ 2	
The main contact blade pressure		N	300 ± 30	450 ± 50	
The contact blade distance		mm	≥ 180	≥ 380	
Manual operating torque		Nm	≤ 200	≤ 300	
Load switch vacuum arc extinguishing chamber assembly and adjustment technology					
Open clearance between contacts		mm	5 ± 1	18 ± 1	
Average opening speed		m/s	1.1 ± 0.2	1.6 ± 0.2	
Three phase opening different period		ms	≤ 5	≤ 5	
Three phase closing different period		ms	≤ 5	≤ 5	
Distance between the charged body and the pole to ground		mm	> 200	> 380	

MV Load Switch

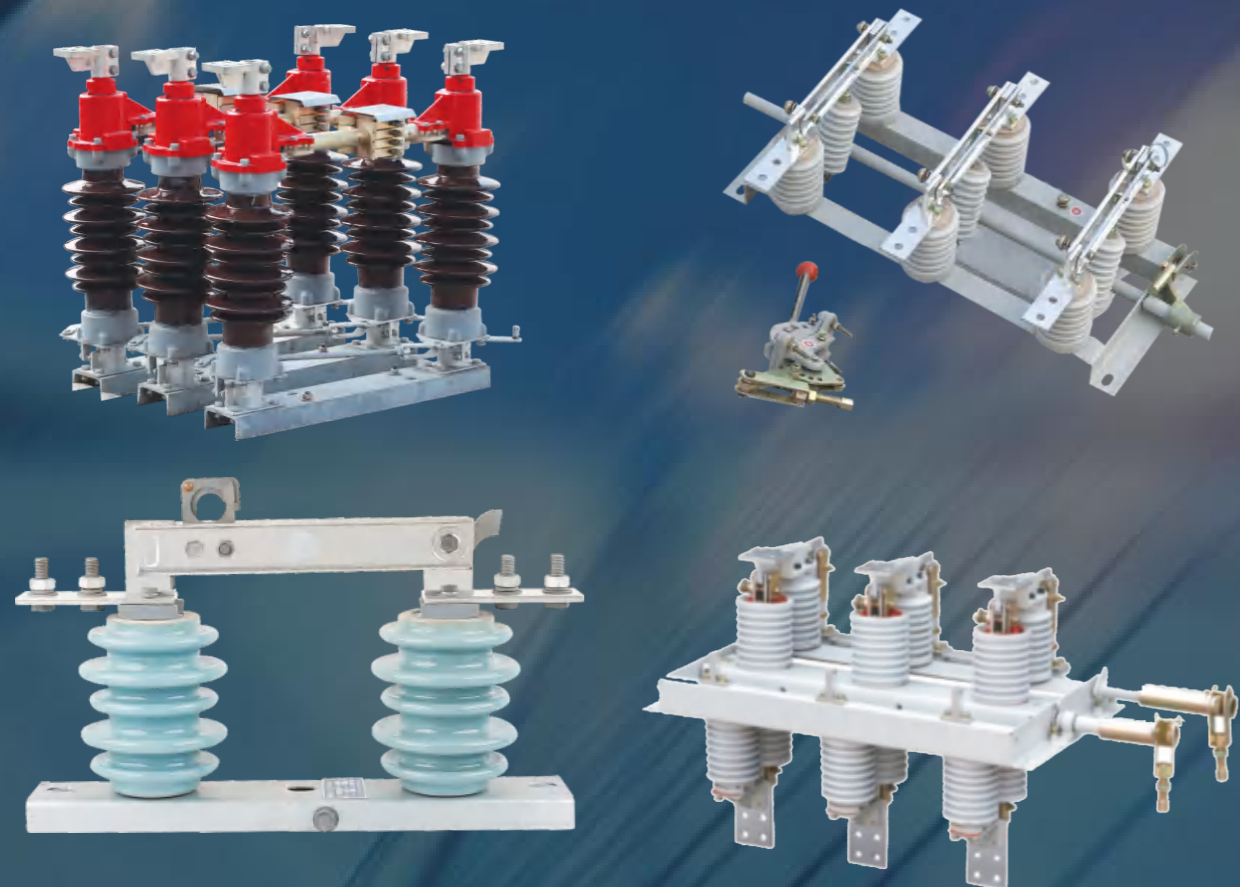
FZW32-12 ~40.5 Outdoor Vacuum Load Switch

Overall and mounting dimensions(mm)



Model specification	Main dimensions (mm)				
	A	B	C	D	E
FZW32-12/630-20	400	480	80	220	755
FZW32-40.5/1250-25	770	920	100	560	1236

MV Isolation Switch



POWER TRANSMISSION AND
DISTRIBUTION PRODUCT SELECTION

PROFESSIONAL MANUFACTURER OF
HIGH AND LOW VOLTAGE PRODUCTS

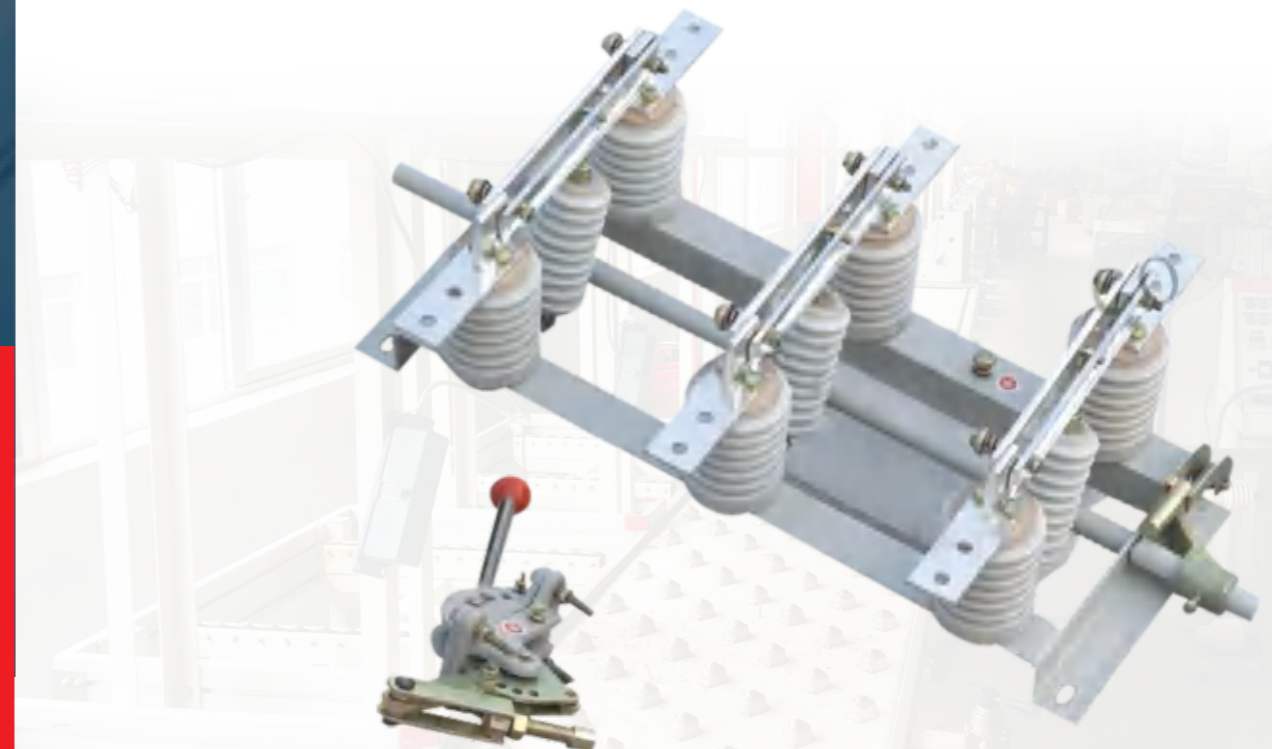
CNC
ELECTRIC

MV Isolation Switch

GN19-12 Indoor isolation switch

- GN19-12 indoor MV isolation switch series MV switch equipment used for rated voltage 10kV, AC 50Hz and below power system, equipped with CS6-1 type manual operating mechanism, open, close the circuit in the case of no load, voltage. There are derivatives such as anti pollution, high prototype and added charged display device type, etc.

General



CNC
ELECTRIC

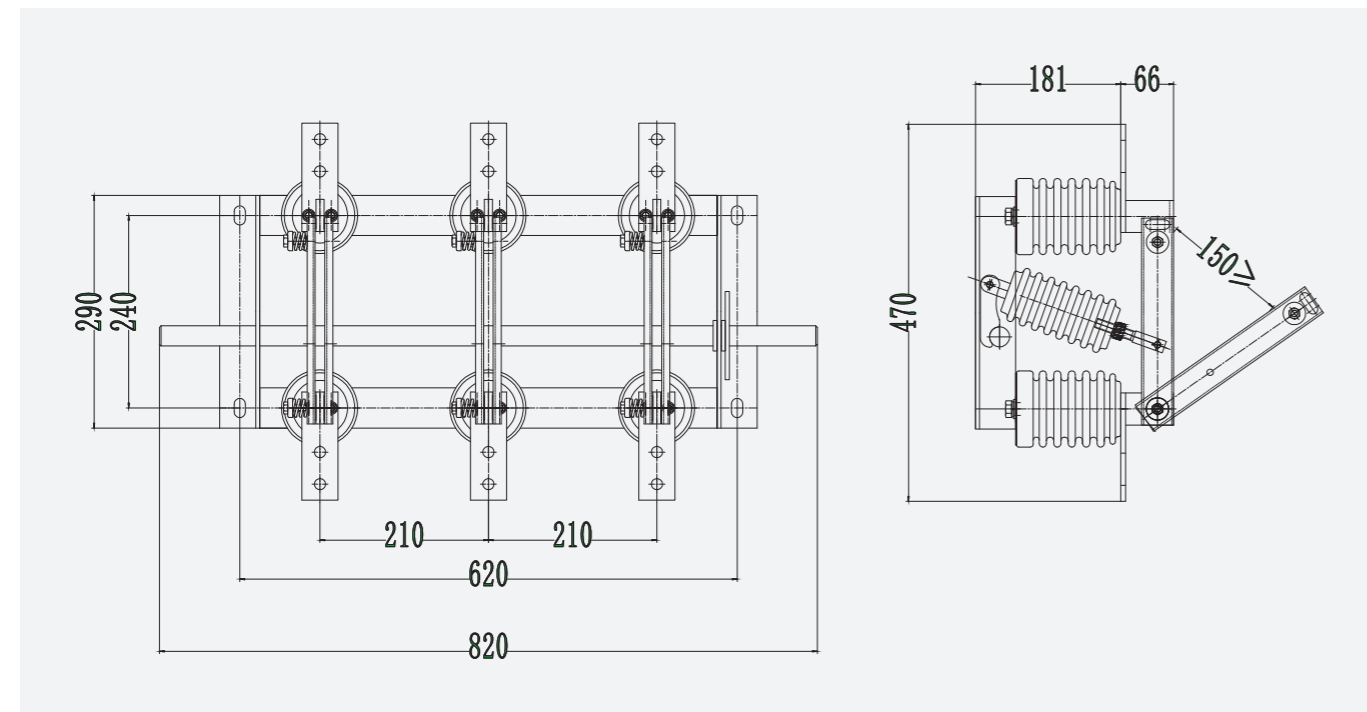
MV Isolation Switch

GN19-12 Indoor isolation switch

Technical data

Model	Rated voltage (kV)	Maximum voltage (kV)	Maximum current (A)	4S thermal stability current (kV)	Dynamic stability current (kV)
GN19-10(C)400-12.5	10	11.5	400	12.5	31.5
GN19-10(C)630-20	10	11.5	630	20	50
GN19-10(C)1000-31.5	10	11.5	1000	31.5	80
GN19-10(C)1250-40	10	11.5	1250	40	100

Overall and mounting dimensions(mm)

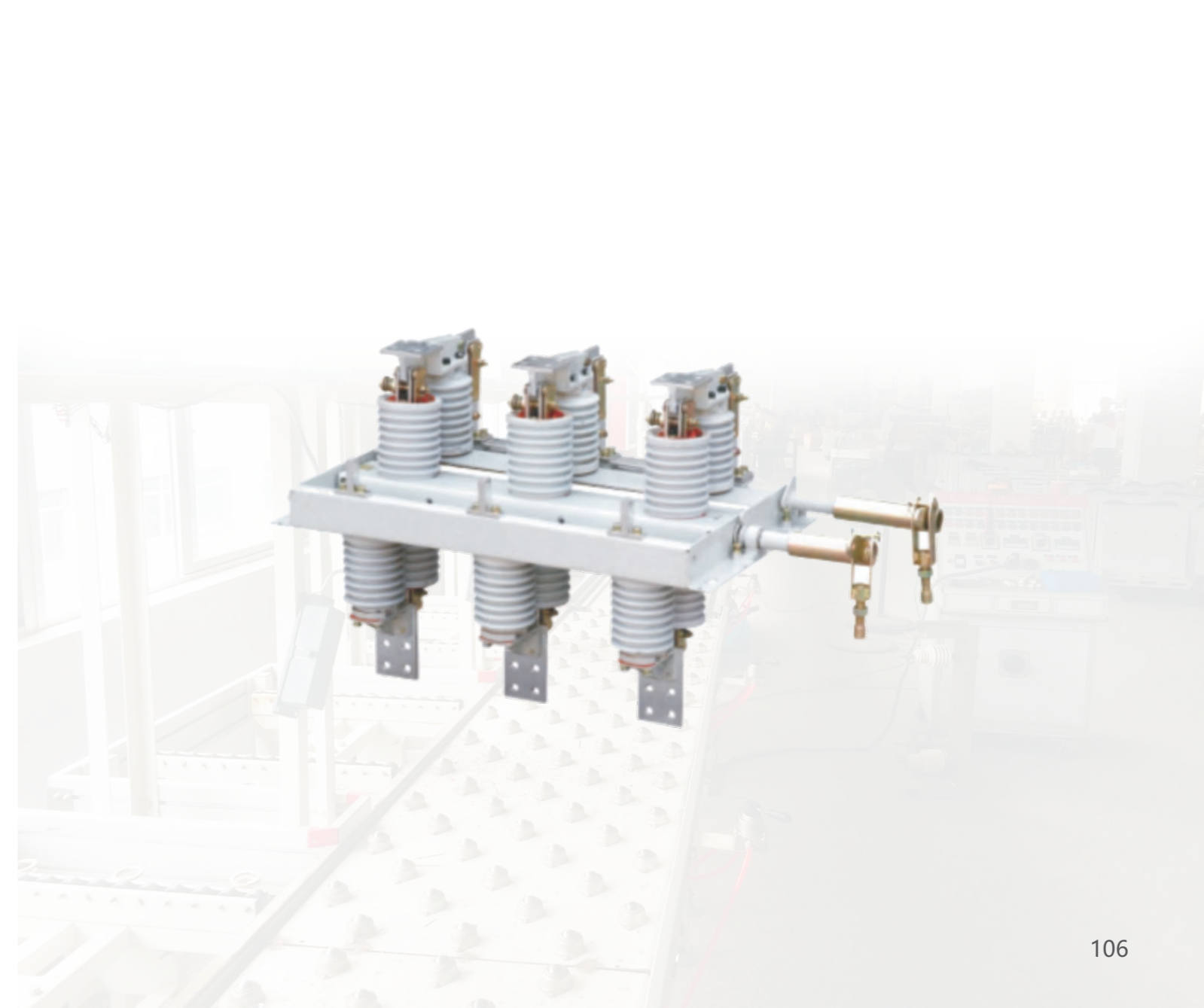


MV Isolation Switch

GN30-12 Indoor Isolation Switch

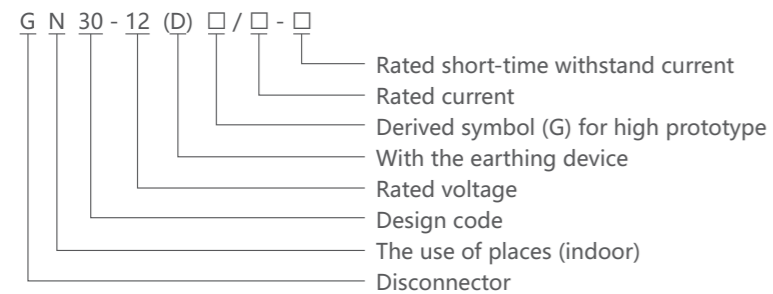
- GN30-12 (D) rotary indoor MV isolating switch is a new type isolation switch of rotary knife type, the main structure is fixed two groups of insulator and contact on the two plane of three-phase chassis, through the rotary contact, realize the switch on-off.
- GN30-12 (D) switch is a new type added grounding knife on the GN30-12 type switch basis, which can meet the needs of different power systems.
- The product design is with compact, small occupied space, strong insulating ability, easy installation and adjustment, its performance meets the GB1985-89 "AC high voltage isolating switch and the grounding switch" requirements, applicable to the rated voltage 10kV AC 50Hz and below indoor power system, to open and close the circuit when voltaged, no load. It can be used with the high voltage switch cabinet, and also can be used separately.

General



MV Isolation Switch GN30-12 Indoor Isolation Switch

Selection



Operating conditions

1. The altitude does not exceed 1000m;
2. Ambient air temperature: -10 °C ~+40 °C;
3. Relative humidity: daily average value is not greater than 95%, monthly average value is not greater than 90%;
4. Contamination grades: no serious dust, corrosive and explosive material place;
5. Earthquake intensity: do not exceed 8 degree; No regular violent vibration place.

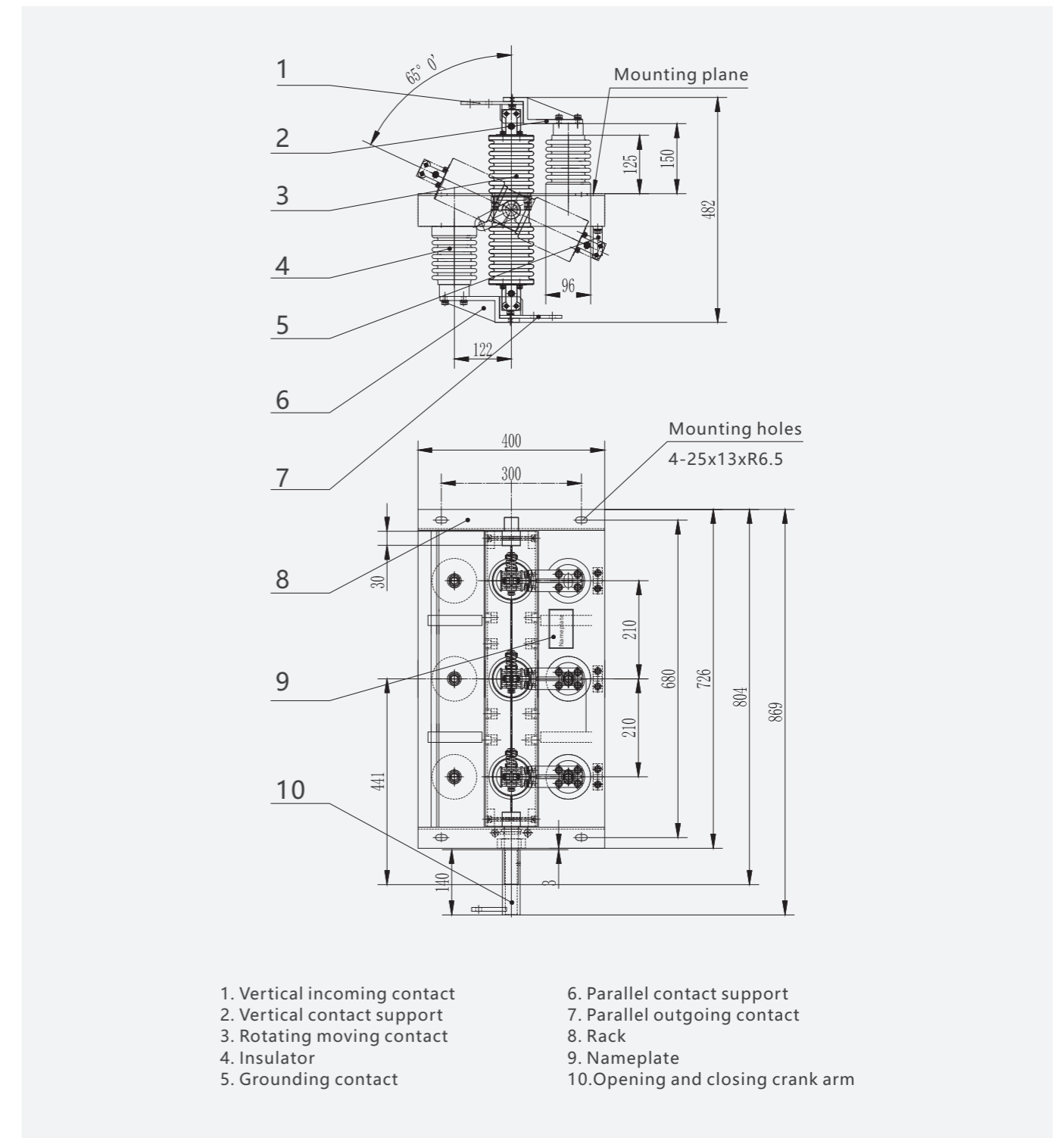


Technical data

Parameter Item	Product specifications				
	GN30-12/ 400-12.5	GN30-12/ 630-12.5	GN30-12/ 1000-12.5	GN30-12/ 1250-12.5	GN30-12/ 1600-12.5
Voltage, current parameters					
Rated voltage (kV)			12		
Rated current (A)	400	630	1000	1250	1600~3150
Rated short-time withstand current (kA)	12.5	20	31.5	31.5	40
Rated short-time duration (S)	4	4	4	4	4
Rated peak withstand current (KA)	31.5	50	80	80	100
Rated insulation level	1 min power frequency withstand voltage (KV)	Between pole, pole to earth 42 fracture 48			
	Lightning impulse voltage (kV)	Between pole, pole to earth 75 fracture 85			

MV Isolation Switch GN30-12 Indoor Isolation Switch

Overall and mounting dimensions(mm)



Notes

Outline and installation dimensions of isolation switches on a distance of 210mm The incoming and outgoing line methods are: parallel incoming line and parallel outgoing line:

MV Isolation Switch

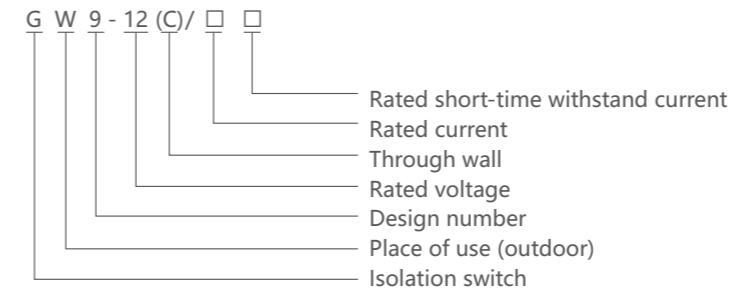
GW9 Outdoor Isolation Switch

- ❖ The "GW9-10G" of outdoor MV isolator switch is the high voltage switch equipment of single phase AC50Hz. The product is suitable for power system with rated voltage 10KV to make or break power supply under circumstances of with voltage and nomload.
- ❖ The isolator adopts isolated rod to operate.
- ❖ Standard: IEC 60129

General

MV Isolation Switch GW9 Outdoor Isolation Switch

Selection



Operating conditions

1. The altitude does not exceed 1000m.
2. The ambient air temperature: Maximum +40°C; Minimum: General Area -30°C, Paramos -40°C.
3. The wind pressure does not exceed 700Pa.
4. The earthquake intensity does not exceed 8 degrees.
5. The working situation without frequent violent vibration.
6. The installation site of ordinary type isolator should be kept away from gas, smoke, chemical deposition, salt-spray-fog, dust and other and corrosive matters that affect seriously insulation and conduction capability of the isolator.
7. Pollution-proof type isolator is applied to severe filthy conduction area, however,
8. It shouldn't be any explosive matters and matters causing fire.



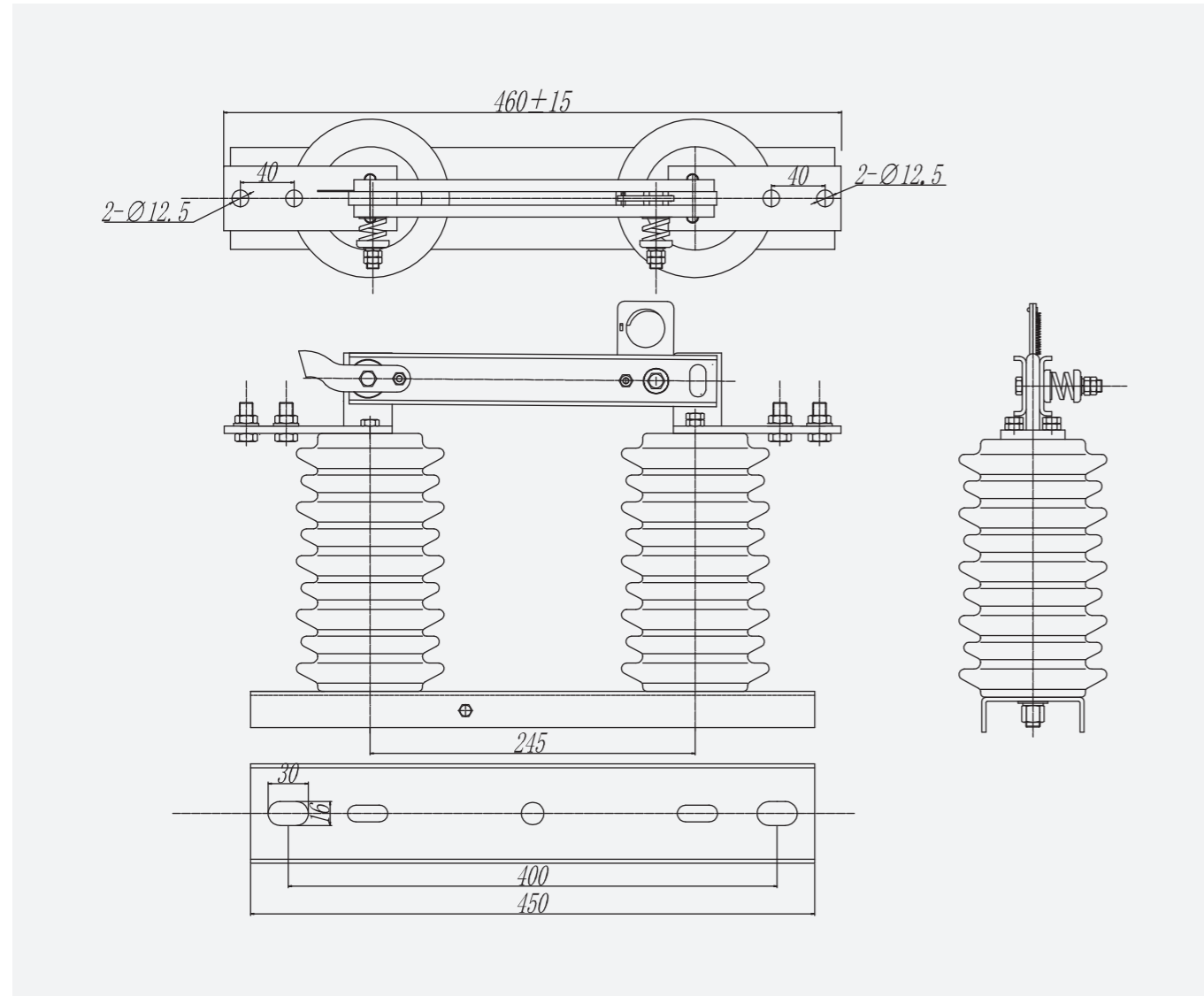
Technical data

Item	Unit	Value					
Technical data	KV	10	15	24			
Rated working voltage	KV	12	17.5				
Rated insulation level	1min power frequency withstand voltage (effective value)	to ground	KV	42	55	65	
		Fracture	KV	48	65	79	
	Lightning impulse withstand voltage (peak)	to ground	KV	75	105	125	
		Fracture	KV	85	120	145	
Rated frequency	HZ		50				
Rated current	A	200	400	630	1250	400	630
4s short-time withstand current	KA	6.3	12.5	20	31.5	16	20
Rated peak withstand current	KA	16	31.5	50	80	40	50
Creepage distance	mm	300	380				
Mechanical life	Time	2000	2000	2000			

MV Isolation Switch

GW9 Outdoor Isolation Switch

Overall and mounting dimensions(mm)

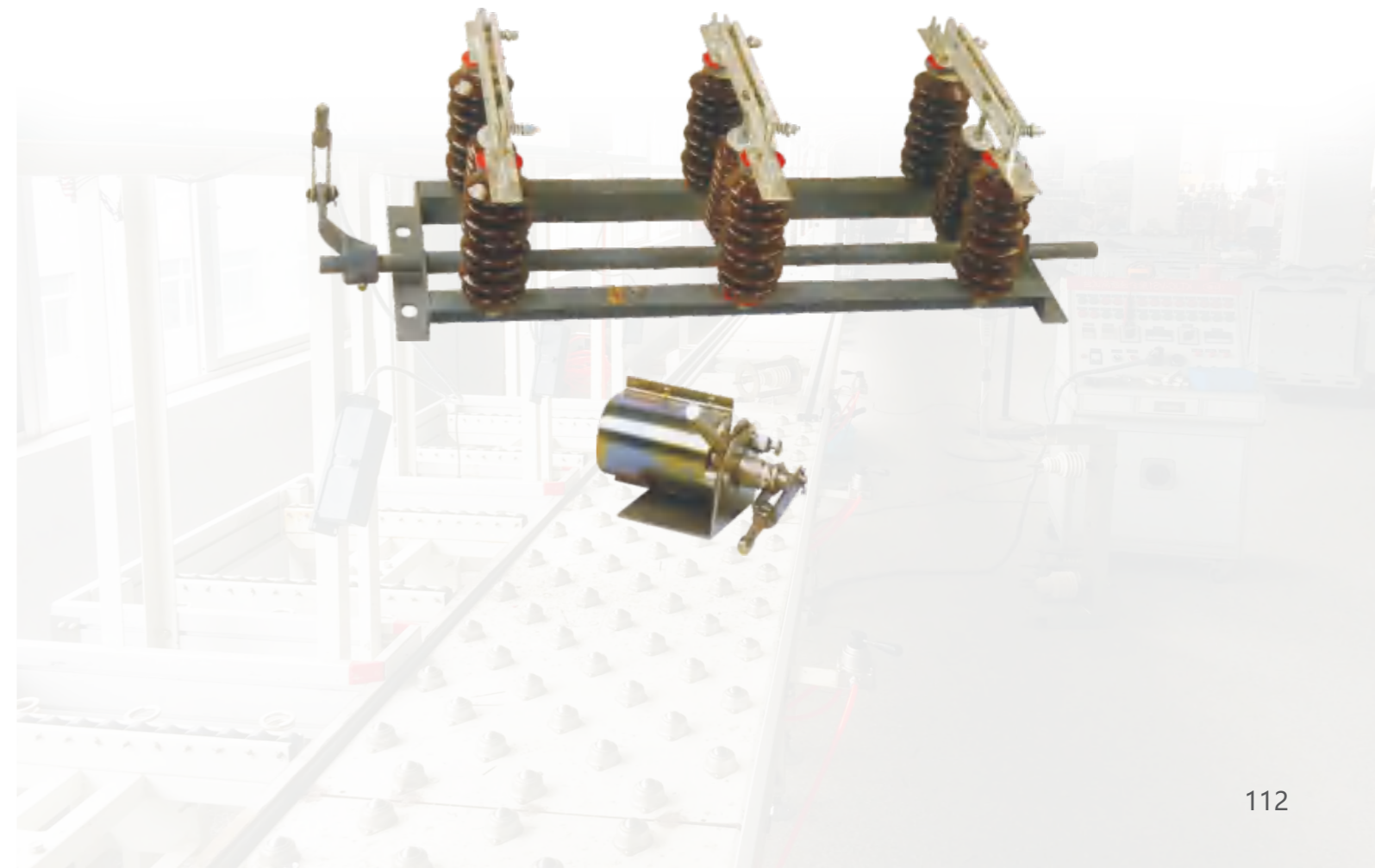


MV Isolation Switch

GW1 Outdoor Isolation Switch

- GW1series outdoor MV isolate switch is the high voltage switch equipment of composite structure, is suitable for outdoor 12kV line net with voltage and no load, to make opening and close. With CS□ type manpower operate machinery, can avoid earth line with power and composite flash-locks etc wrongoperate.
- The operator is no need to put another earth line. Pollution-proof typeisolate switch satisfy customer in filthy conduction area. It can solve the pollution of shed when it is working.

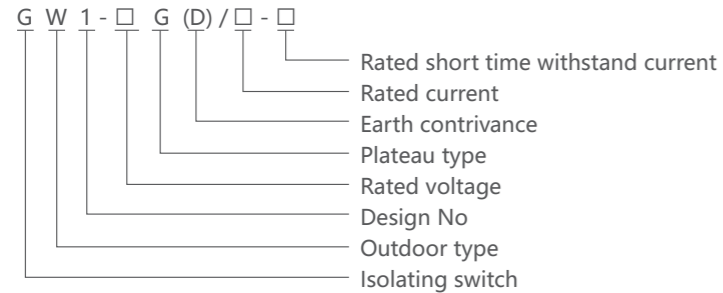
General



MV Isolation Switch

GW1 Outdoor Isolation Switch

Selection



Operating conditions

1. The altitude above sea level: 2000m
2. The ambient air temperature: -40°C~40°C wind speed does not exceed 35m/s.
3. The earthquake intensity does not exceed 8 degrees.
4. The working situation is without frequent violent vibration.
5. The installation site of ordinary type isolator should be kept away from gas, smoke chemical deposition, salt-spray fog, dust and other explosive and corrosive matters that affect seriously insulation and conduction capability of the isolator.
6. Pollution-proof type isolator is applicable to severe filthy conduction area, however, it shouldn't be any explosive matters and matters causing fire.



Technical data

Item		Unit	Technical parameters			
Rated voltage		kV	10	15	20	
Max. operating voltage		kV	12	17.5	24	
Rated insulation level	1min. power frequency withstand voltage	To earth	kV	38	42	50
		Across open DS	kV	42	48	60
	Rated lightning impulse withstand voltage	To earth	kV	75	105	125
		Across open DS	kV	85	120	145
Rated frequency		Hz	50			
Rated current		A	200	400	630	1250
4s short time withstand current		kA	6.3	12.5	20	31.5
Peak withstand current		kA	16	31.5	50	80
Mechanism supplied for disconnecter			CS8-1, CS8-D, CD8-5 Rain type manual mechanism or CX6 motor drive mechanism			

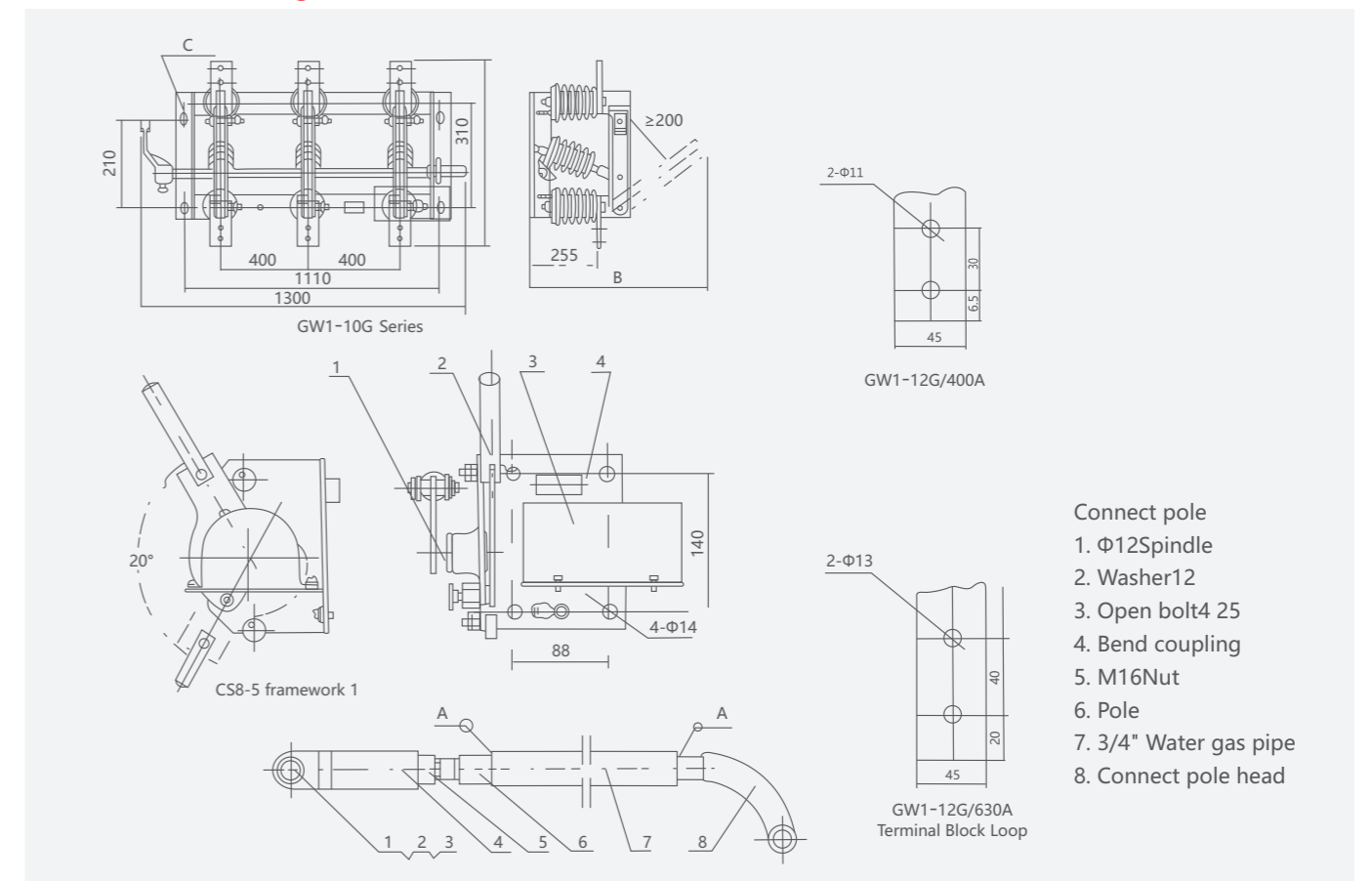
MV Isolation Switch

GW1 Outdoor Isolation Switch

Technical data

Item		Unit	Technical parameters			
Rated voltage		kV	12	24	33	
Max. operating voltage		kV	15	27	35	
Rated insulation level	1min. power frequency withstand voltage	To earth	kV	40	50	80
		Across open DS	kV	47	60	90
	Rated lightning impulse withstand voltage	To earth	kV	105	125	180
		Across open DS	kV	120	145	210
Rated frequency		Hz	50			
Rated current		A	200	400	630	1250
4s short time withstand current		kA	6.3	12.5	20	31.5
Peak withstand current		kA	16	31.5	50	80
Mechanism supplied for disconnecter			CS8-1, CS8-D, CD8-5 Rain type manual mechanism or CX6 motor drive mechanism			

Overall and mounting dimensions(mm)



Product model number	A	B	C
GW1-12G/400A	510	555	18×24=4
GW1-12G/630A	530	555	18×24=4
GW1-24G/400A	510	555	18×24=4
GW1-24G/630A	530	555	18×24=4

MV Isolation Switch

GW4 Outdoor Isolation Switch

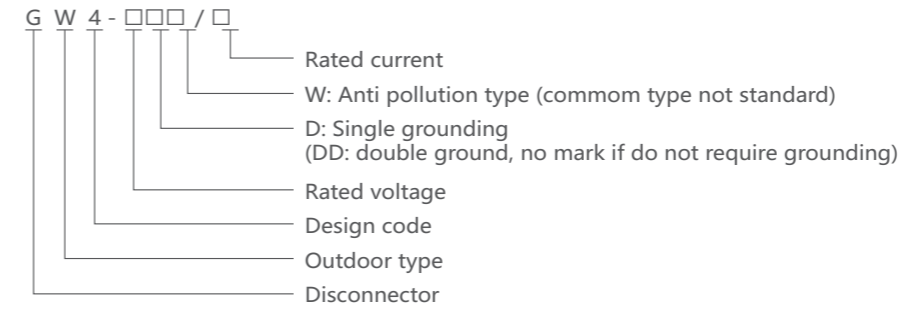
GW4 outdoor MV isolation switch is used for three-phase AC 50Hz outdoor high-voltage electrical equipment, switching of lines under high-voltage no-load conditions, and electrically isolating electrical equipment such as high-voltage busbars, circuit breakers, and live high-voltage equipment for maintenance voltage lines, can also be used to switch small capacitor or inductor current. When the knife is in the normal open circuit position, it can provide insulation distance that meets safety requirements. Widely used in 35-110kV substations.

General



MV Isolation Switch GW4 Outdoor Isolation Switch

Selection



Technical data

Item	Unit	Parameters				
		GW4-40.5	GW4-72.5	GW4-126	GW4-126G	GW4-145
Rated voltage	KV	40.5	72.5	126	126	145
Rated current	A	630 1250 2000 2500	630 1250 2000 2500 4000	630 1250 2000 2500	630 1250	1250 2000 2500
Rated short-time withstand current (RMS)	KA	20 31.5 40(46)	20 31.5 40(46)	20 31.5 40(46)	20 31.5	20 31.5 40(46)
Rated peak withstand current (peak)	KA	50 80 100(104)	50 80 100(104)	50 80 100(104)	50 80	50 80 100(104)
Rated short-time withstand voltage (effective value)	To the ground	80	140	185(230)	185	375
	Fracture	110	160	210(265)	210	315
Rated lightning impulse withstand voltage (peak)	To the ground	185	325	450(550)	450	650
	Fracture	215	375	520(630)	550	750
Wiring terminal rated the horizontal tension		490(735)	735	735	735	960
Weight of single pole		80	200	240	300	300

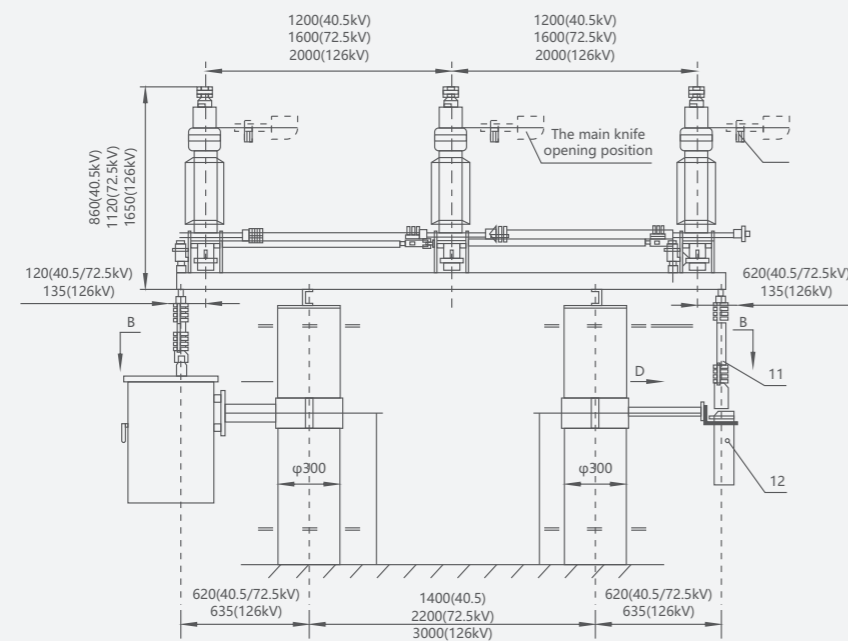
MV Isolation Switch

GW4 Outdoor Isolation Switch

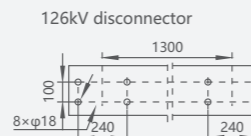
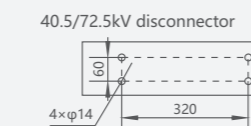
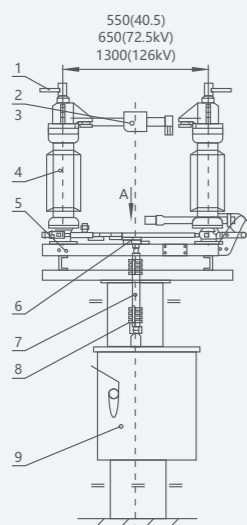
Operating conditions

1. Ambient temperature: upper limit +40°C, lower limit -30°C
2. Altitude: no more than 3000m;
3. Wind speed: no more than 35m/s;
4. Earthquake intensity: do not exceed 8 degree;
5. Pollution level: no more than III class
6. No severe vibration, no corrosive gas, no fire, no explosion danger place.

Overall and mounting dimensions(mm)



A direction basic installation size



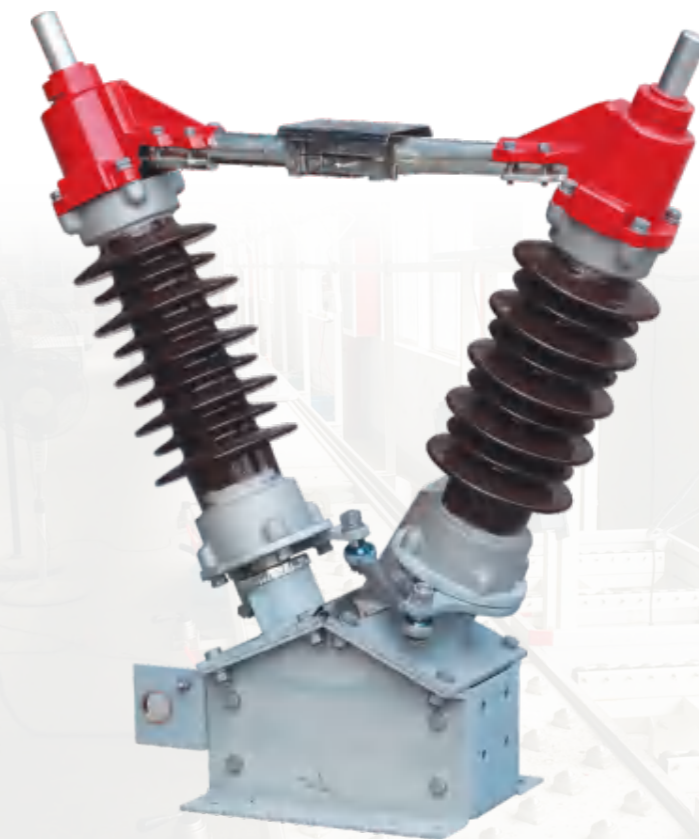
1. Wiring terminal
2. Contact
3. Contact finger
4. Support insulator
5. Switch base
6. The main knife operating crank arm
7. The main knife vertical rod (galvanized steel pipe of $\phi 45 \times 45$)
8. Anchor ear
9. The main knife operating mechanism (CJ6 or CS17)
10. Grounding contact finger
11. The earth knife vertical rod (galvanized steel pipe of $\phi 45 \times 5$)
12. The earth knife operating mechanism (CJ78CS17)

MV Isolation Switch

GW5 Outdoor Isolation Switch

- GW5 outdoor MV isolating switch is used for three-phase AC 50Hz outdoor high voltage electrical equipment, used for the line to switching under voltage pressed no load condition, and electrical isolation the maintained high voltage bus, circuit breakers and other electrical equipment and charged high voltage line, can also be used for the opening and closing small capacitance or inductance current. When the knife in the normal break position, can provide a insulation distance consistent with safety requirements. Widely used in 35~110kV substation.

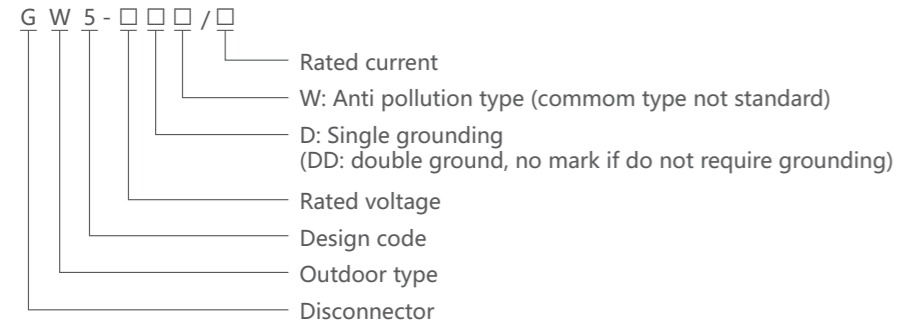
General



MV Isolation Switch

GW5 Outdoor Isolation Switch

Selection



Operating conditions

1. The ambient temperature: upper limit +40°C, lower limit -40 °C;
2. Altitude: no more than 3000m;
3. Wind speed: not more than 35m/s;
4. Earthquake intensity: do not exceed 8 degree;
5. Pollution level: no more than III;
6. No severe vibration, no corrosive gas, no fire, no explosion danger place.

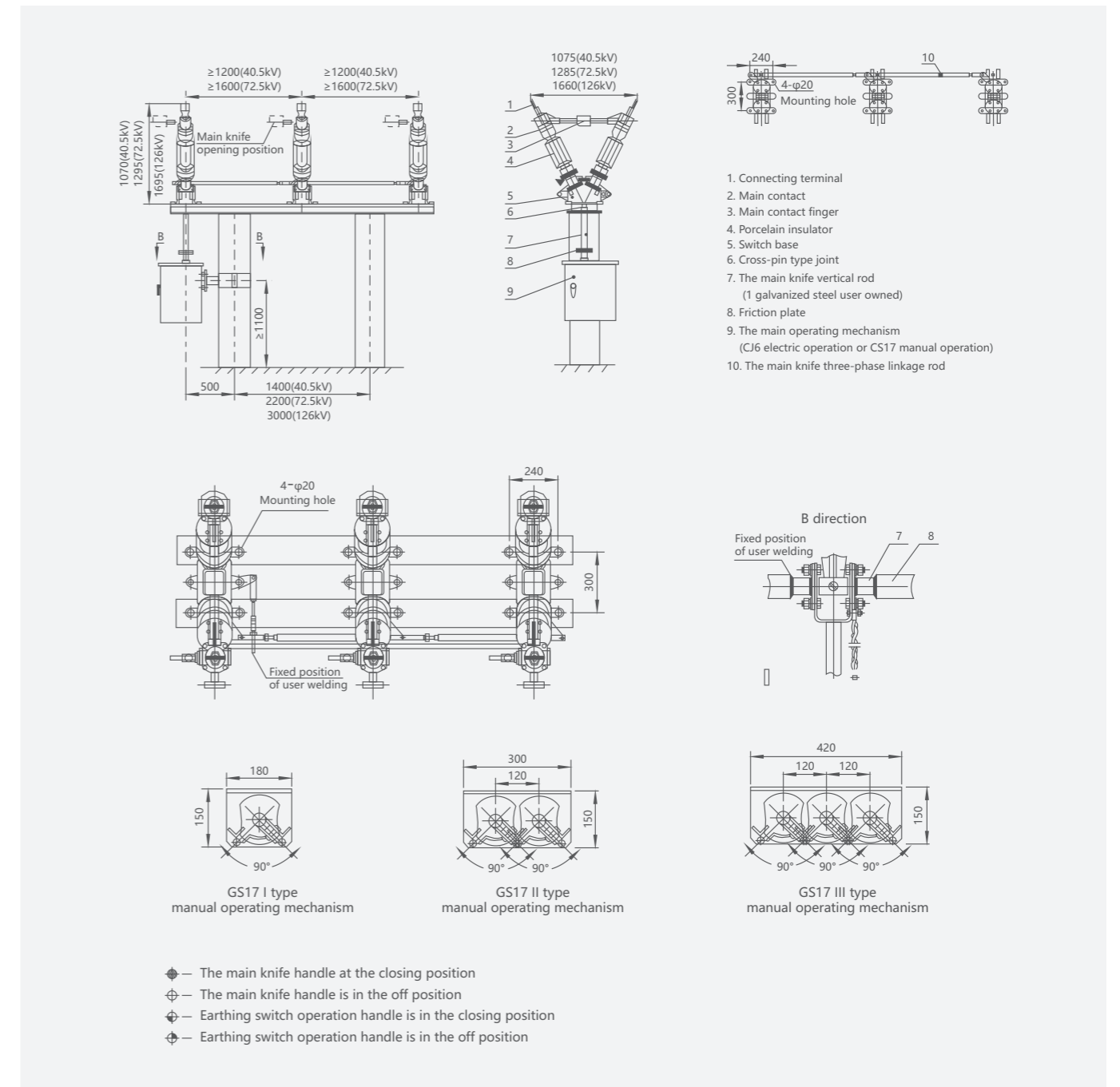
Technical data

Item	Unit	Parameters			
		GW5- 40.5	GW5-72.5	GW5-126	GW5-145
Voltage, current parameters					
Rated voltage	kV	40.5	72.5	126	145
Rated current	A	630/1250/1600/2000			
Rated frequency	Hz	50			
Disconnecter	Rated peak withstand current	kA	50/80/100		
	Rated short-time withstand current	kA	20/31.5/40		
	Rated short circuit duration	s	4		
I type earth knife	Rated peak withstand current	kA	25		
	Rated short-time withstand current	kA	10		
	Rated short circuit duration	s	4		
II type earth knife	Rated peak withstand current	kA	100		
	Rated short-time withstand current	kA	40		
	Rated short circuit duration	s	2		

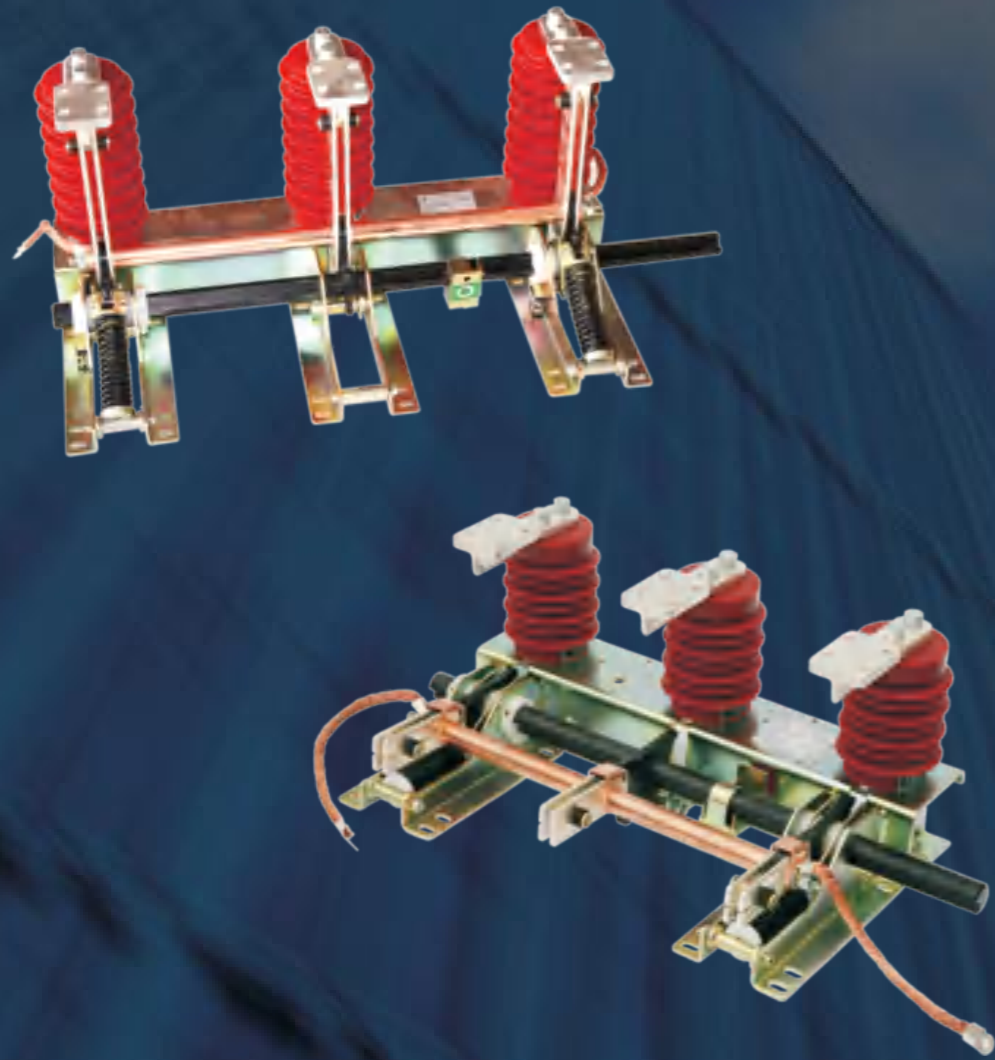
MV Isolation Switch

GW5 Outdoor Isolation Switch

Overall and mounting dimensions(mm)



MV Grounding Switch



POWER TRANSMISSION AND
DISTRIBUTION PRODUCT SELECTION

PROFESSIONAL MANUFACTURER OF
HIGH AND LOW VOLTAGE PRODUCTS

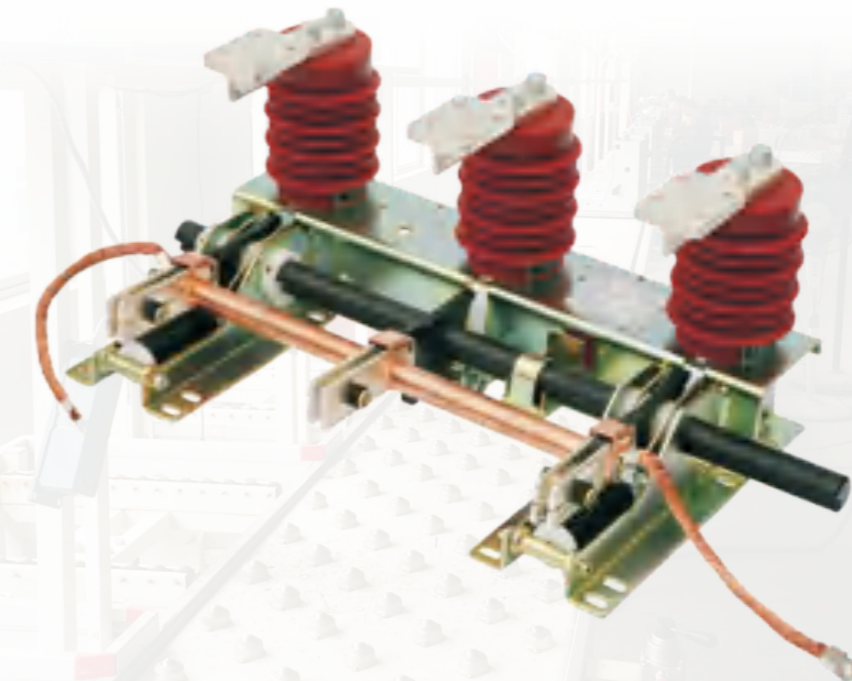
CNC
ELECTRIC

MV Grounding Switch

JN15-12 Indoor Grounding Switch

- ❖ JN15-12/31.5 series indoor earthing switch is a new design and improved product of our company according to the ES1 type, suitable with electric power system with 3- 12KV, Three-phase, AC 50(60)Hz, support with various kinds of HV switchgear and as earthing protection.
- ❖ Standard: IEC 129, IEC 62271-102

General

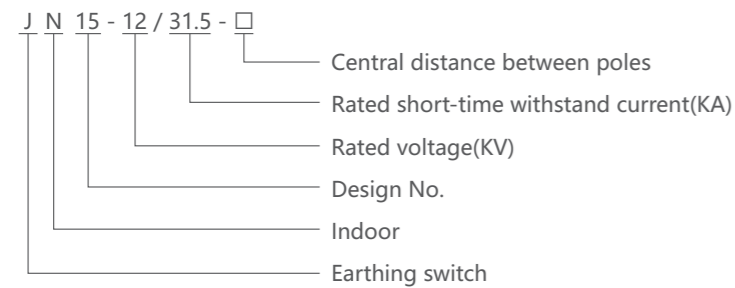


CNC
ELECTRIC

MV Grounding Switch

JN15-12 Indoor Grounding Switch

Selection



Operating conditions

1. Ambient temperature:-10~+40°C
2. Altitude: ≤1000m (sensor height:140mm)
3. Relative humidity: Day average relative humidity ≤95% Month average relative humidity ≤90%
4. Earthquake intensity: ≤8degree
5. Dirtiness degree: II

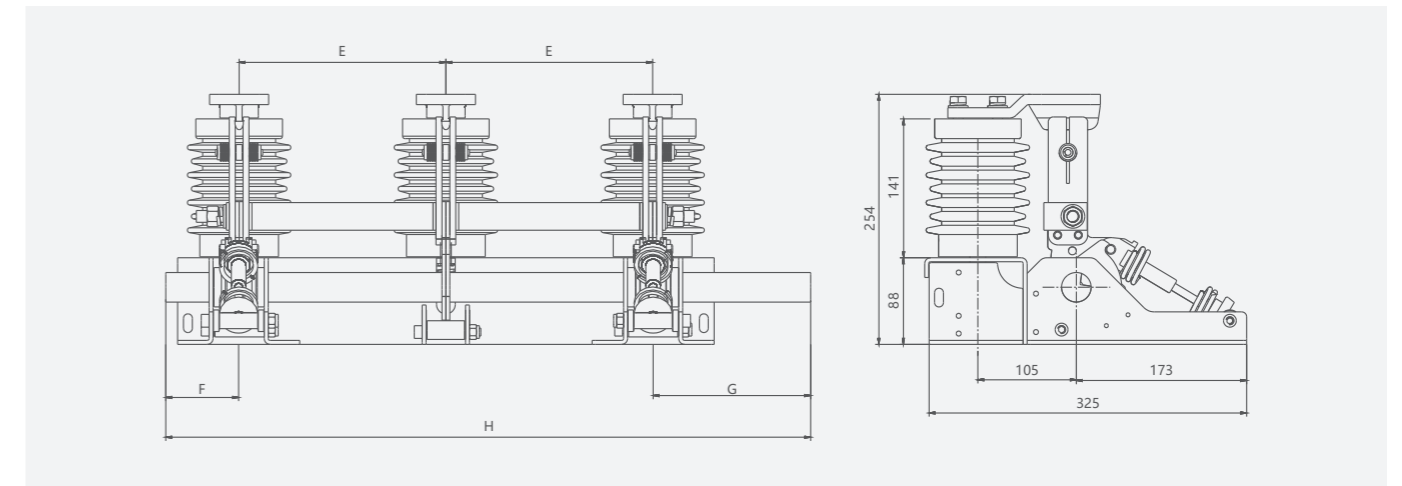
Technical data

Item	Units	Data	
Rated voltage	kV	12	
Rated short time withstand current	kA	31.5	
Rated short circuit withstand time	s	4	
Rated short circuit making current	kA	80	
Rated peak withstand current	kA	80	
Rated insulation level	1min power frequency withstand voltage	kV	42
	Lightning Impulse withstand voltage	kV	75
Mechanism life	time	2000	

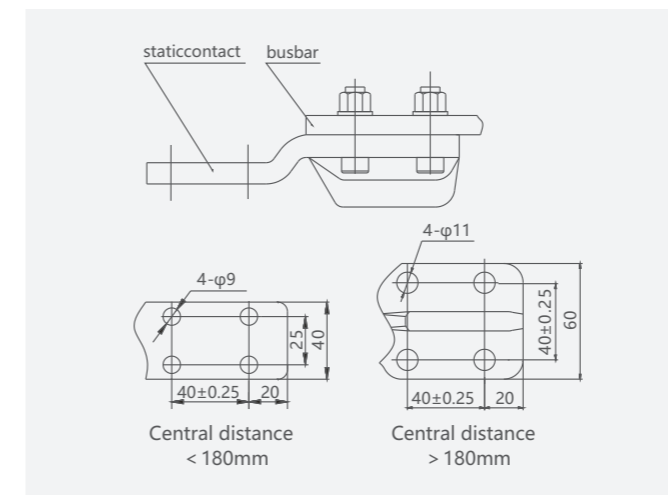
MV Grounding Switch

JN15-12 Indoor Grounding Switch

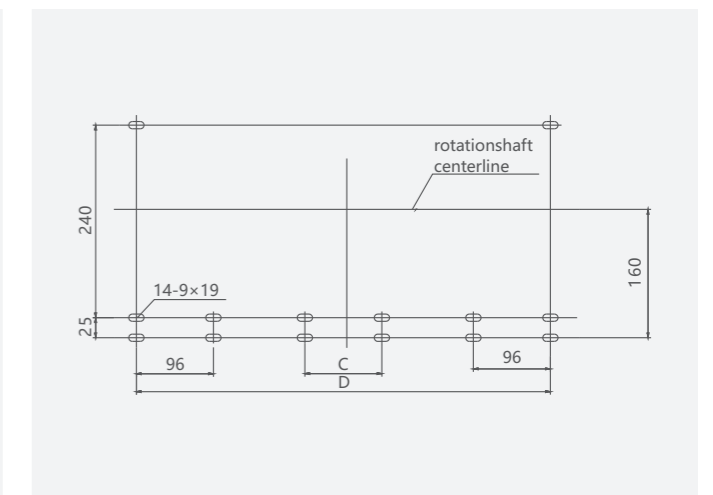
Overall and mounting dimensions(mm)



Copper terminal block



Hole location diagram



(Unit:mm)

Specification	E	F	G	H	D	C
JN15-12/31.5-165	165	75	160	565	426	
JN15-12/31.5-180	180	75	160	595	456	
JN15-12/31.5-200	200	50	160	635	496	
JN15-12/31.5-210	210	50	185	655	516	
JN15-12/31.5-220	220	75	185	675	536	
JN15-12/31.5-230	230	75	185	695	556	96
JN15-12/31.5-250	250	75	185	735	596	96
JN15-12/31.5-275	275	75	210	810	646	96

Order notes:

1. Indicate product specification, central distance between poles, if need the electric display device(type of the display) or not.
2. Need lengthen the soft link or not(normal L=250mm).
3. Please consult with our company if you have any special request.

MV Grounding Switch

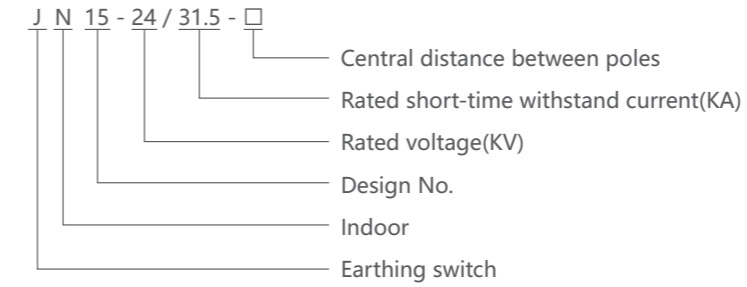
JN15-24 Indoor Grounding Switch

- JN15-24 series indoor earthing switch is a new design and improved product of our company according to the JN15 type, (the installing size without any change), suitable for electric power system with 20-24KV, Three-phase, AC 50(60) Hz, supported with various kinds of HV switchgear and as earthing protection.
- Standard: IEC 129, IEC 62271-102

General

MV Grounding Switch JN15-24 Indoor Grounding Switch

Selection



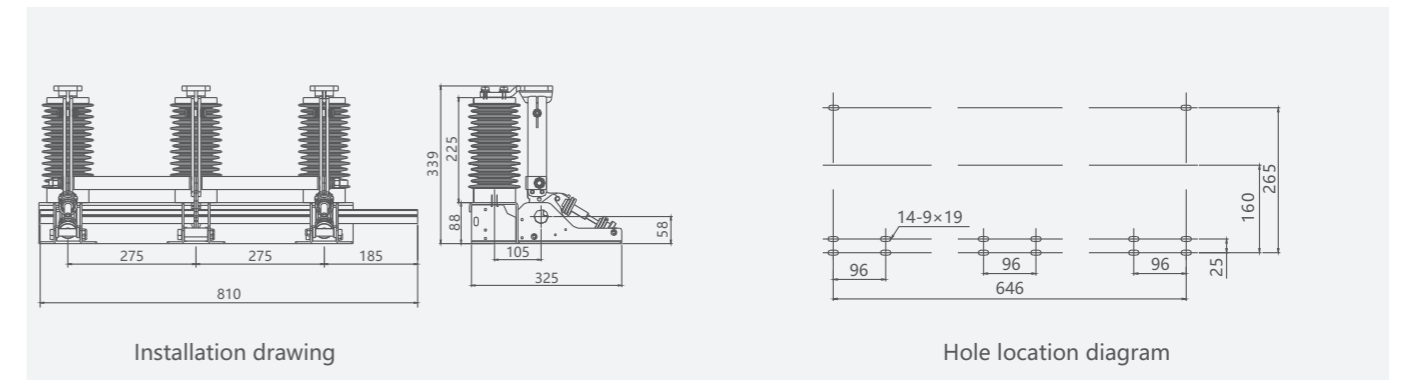
Operating conditions

- Ambient temperature: -10~+40°C
- Altitude: ≤2000m
- Relative humidity: Day average relative humidity ≤95% Month average relative humidity ≤90%
- Earthquake intensity: ≤8degree
- Class of pollution: II

Technical data

Item	Units	Data	
Rated voltage	kV	24	
Rated short time withstand current	kA	31.5	
Rated short circuit withstand time	S	4	
Rated short circuit making current	kA	80	
Rated peak withstand current	kA	80	
Rated insulation level	1min power frequency withstand voltage	kV	65
	Lightning Impulse withstand voltage	kV	95
Mechanism life	time	2000	

Overall and mounting dimensions(mm)

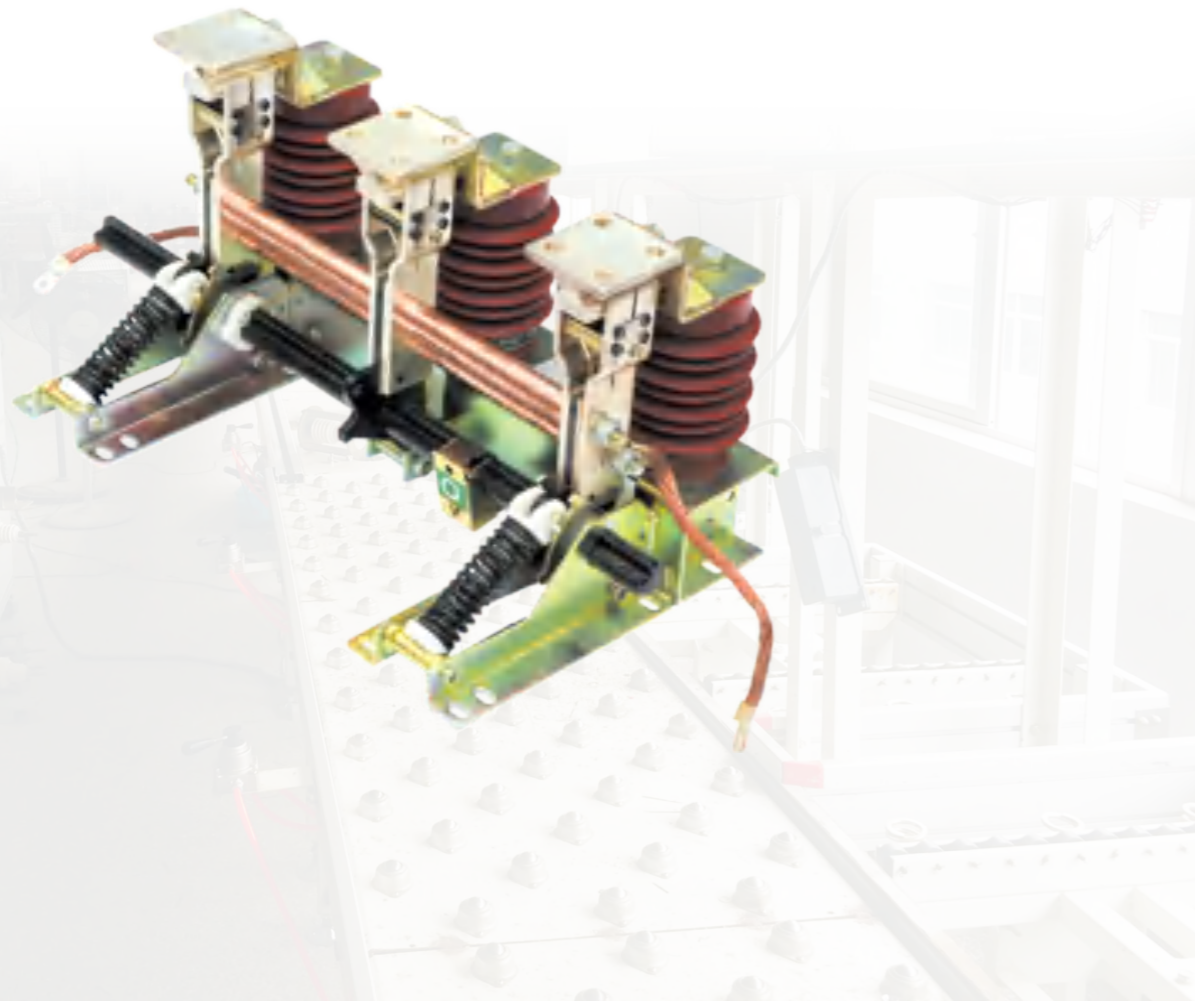


MV Grounding Switch

JN17-12/40 Indoor Grounding Switch

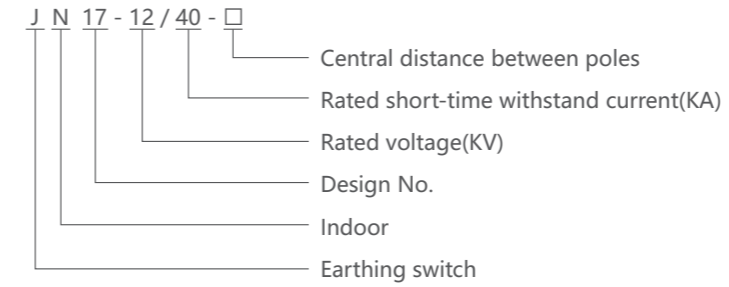
- JN17-12/40 (old type is JN15-12/40) series indoor MV earthing switch is a new design and improved product of our company according to the ES1 type, the structure is assembled, suitable for electric power system with 3-10KV, Three-phase, AC 50(60)Hz, supported with various kinds of HV switchgear and as earthing protection.
- Standard: IEC 129, IEC 62271-102

General



MV Grounding Switch JN17-12/40 Indoor Grounding Switch

Selection



Operating conditions

- Ambient temperature: -10~+40°C
- Altitude: ≤1000m (sensor height:140mm)
- Relative humidity: Day average relative humidity ≤95% Month average relative humidity ≤90%
- Earthquake intensity: ≤8degree
- Dirtiness degree: II

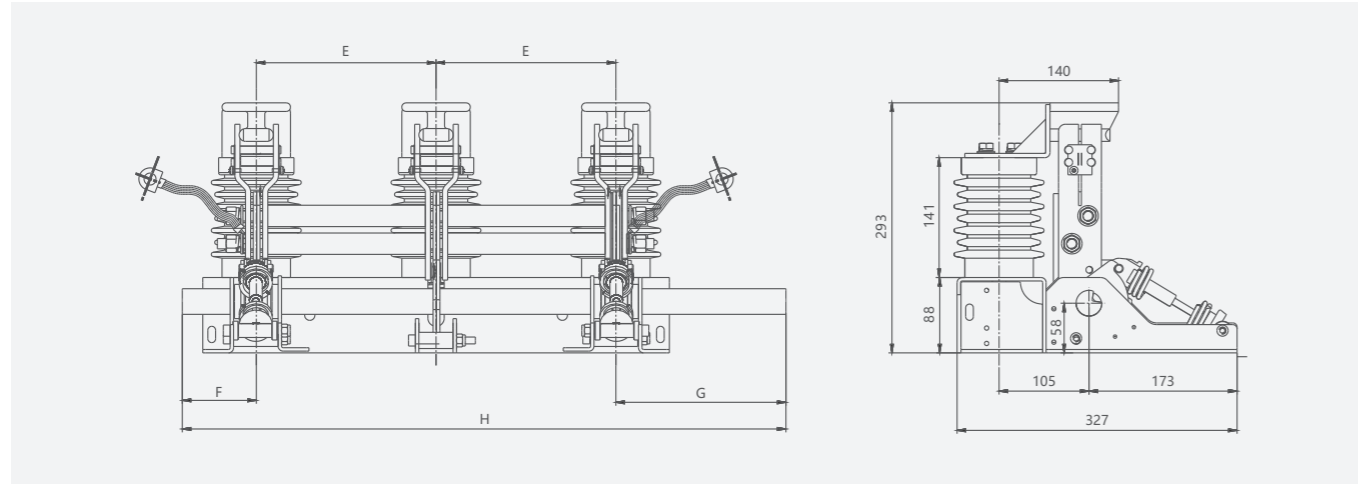
Technical data

Item	Units	Data	
Rated voltage	kV	12	
Rated short time withstand current	kA	40	
Rated short circuit withstand time	s	4	
Rated short circuit making current	kA	100	
Rated peak withstand current	kA	100	
Rated insulation level	1min power frequency withstand voltage	kV	42
	Lightning Impulse withstand voltage	kV	75
Mechanism life	time	2000	

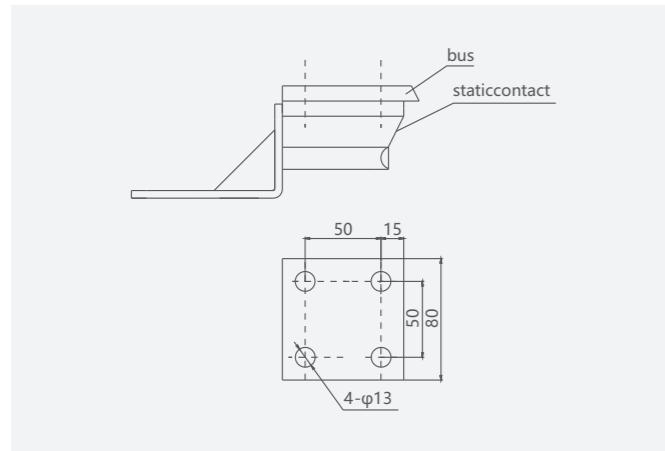
MV Grounding Switch

JN17-12/40 Indoor Grounding Switch

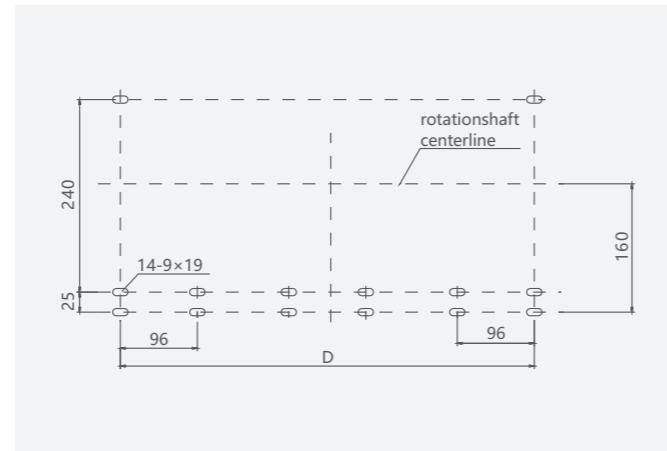
Overall and mounting dimensions(mm)



Copper terminal block



Hole location diagram



Specification	E	F	G	H	D
JN17-12/40-210	210	50	185	655	516
JN17-12/40-220	220	50	185	675	536
JN17-12/40-230	230	50	185	695	556
JN17-12/40-250	250	50	185	735	596
JN17-12/40-275	275	50	210	810	646

Order notes:

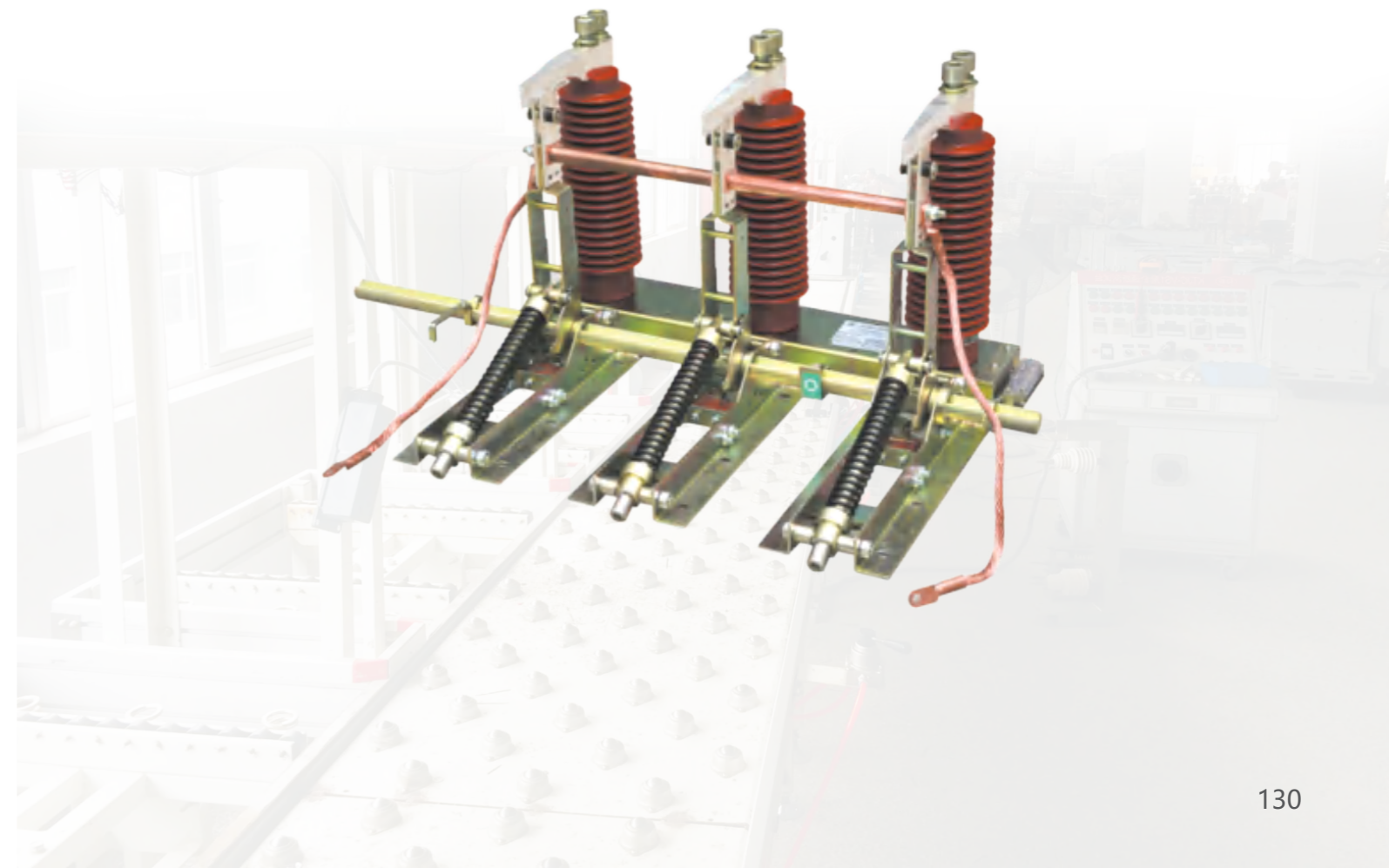
1. Indicate product specification, central distance between poles, whether need the electric display device(type of the display) or not.
2. Need lengthen the soft link or not(normal L=250mm)
3. Please consult with our company if you have any special request.

MV Grounding Switch

JN22-40.5/31.5 Indoor Grounding Switch

- JN22-40.5/31.5 series indoor MV earthing switch is researched and developed by XI'AN HV Electric research organization, with advanced design and steady performance, simple structures, simple mounting and adjustment, suitable of electric power system with 40.5KV, Three-phase, AC 50Hz.. Support with KYN□-40.5 and other various kinds of MV switchgear and as earthing protection.
- Standard: IEC 129, IEC 62271-102

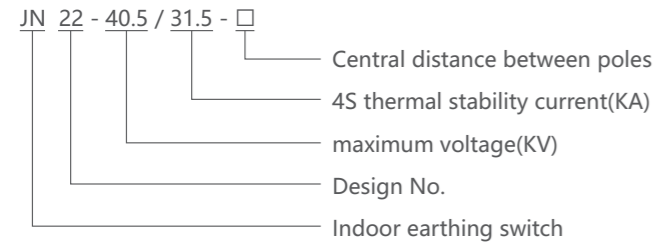
General



MV Grounding Switch

JN22-40.5/31.5 Indoor Grounding Switch

Selection



Operating conditions

1. Ambient temperature:-10~+40°C
2. Altitude: ≤1000m
3. Relative humidity: Day average relative humidity ≤95% Month average relative humidity ≤90%
4. Earthquake intensity: ≤8degree
5. Applicable in the place without corrosive, flammable gas and water place
6. With no frequently intense vibrant place around.

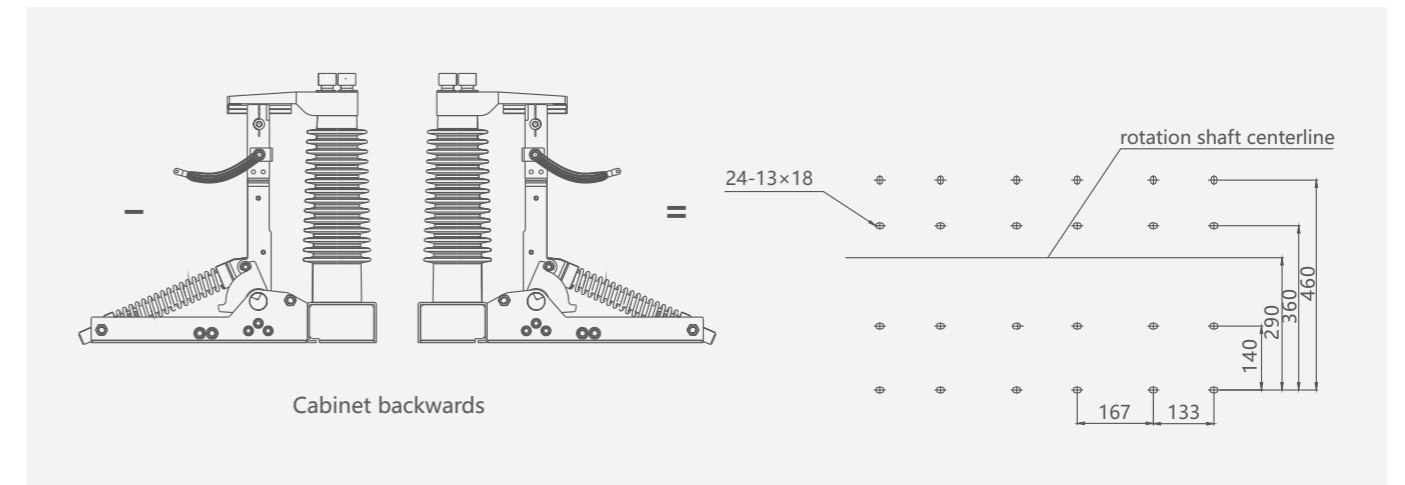
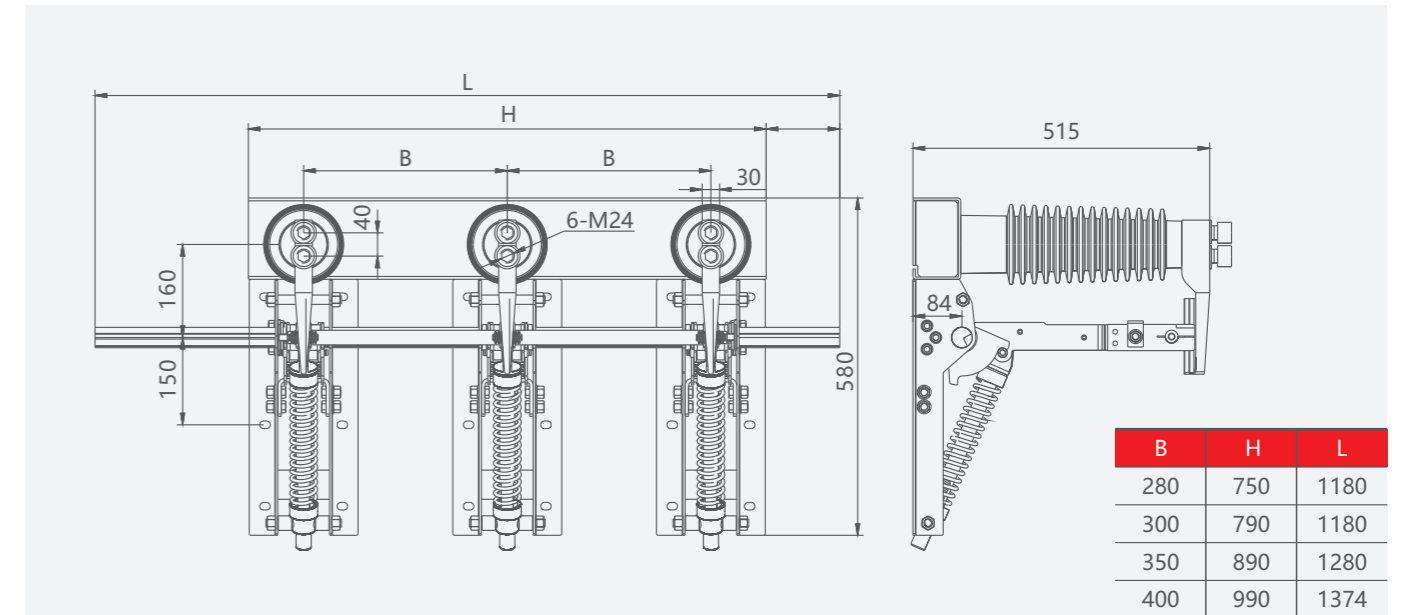
Technical data

Item	Units	Data	
Rated voltage	kV	35	
Maximum voltage	kV	40.5	
Rated short time withstand current	kA	31.5	
Rated short circuit withstand time	s	4	
Rated short circuit making current	kA	80	
Rated peak withstand current	kA	80	
Rated insulation level	1min power frequency withstand voltage	kV	95
	Lightning Impulse withstand voltage	kV	185
Central distance between poles	mm	300; 350; 400	

MV Grounding Switch

JN22-40.5/31.5 Indoor Grounding Switch

Overall and mounting dimensions(mm)



Order Notes

1. Indicate product specification, rated voltage, thermal stability current, central distance between poles.
2. If need shaft operating mechanism, indicate right operation mechanism or left operation mechanism according to the operation position shows in the drawing above.
3. If need sensors with electric display device, please indicate the display type.
4. Please consult with our company if you have any special request.

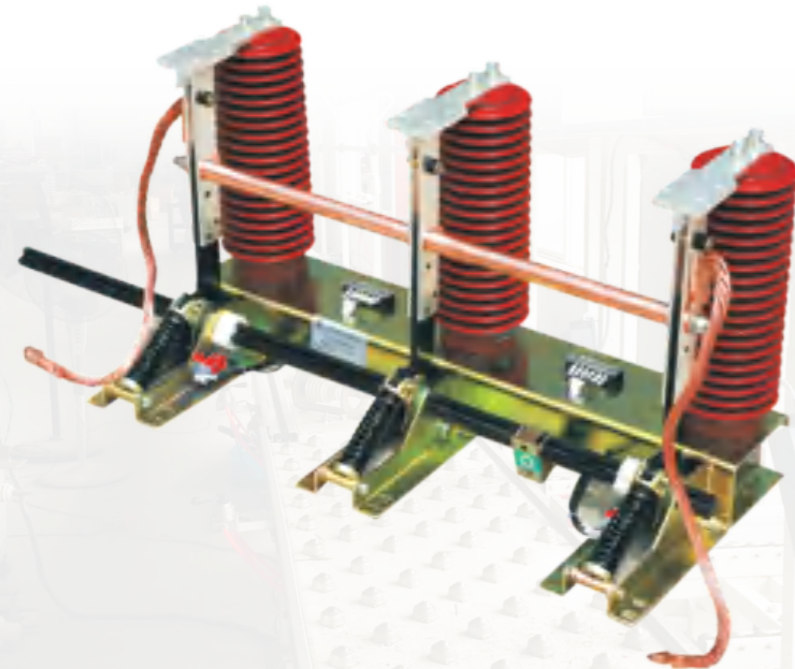
B	H
280	750
300	790
350	890
400	990

MV Grounding Switch

JN22B-40.5/31.5 Indoor Grounding Switch

- JN22B-40.5/31.5 series indoor MV earthing switch is researched and developed by our company based on original JN15 type, supporting with electric power system 40.5KV, AC 50Hz, match KYN□-40.5 and other various kinds of MV switchgear and as earthing protection.
- Standard: IEC 129, IEC 62271-102

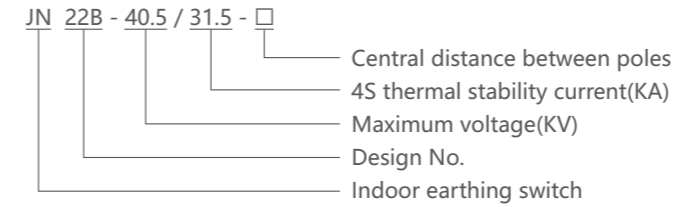
General



MV Grounding Switch

JN22B-40.5/31.5 High Voltage Earthing Switch

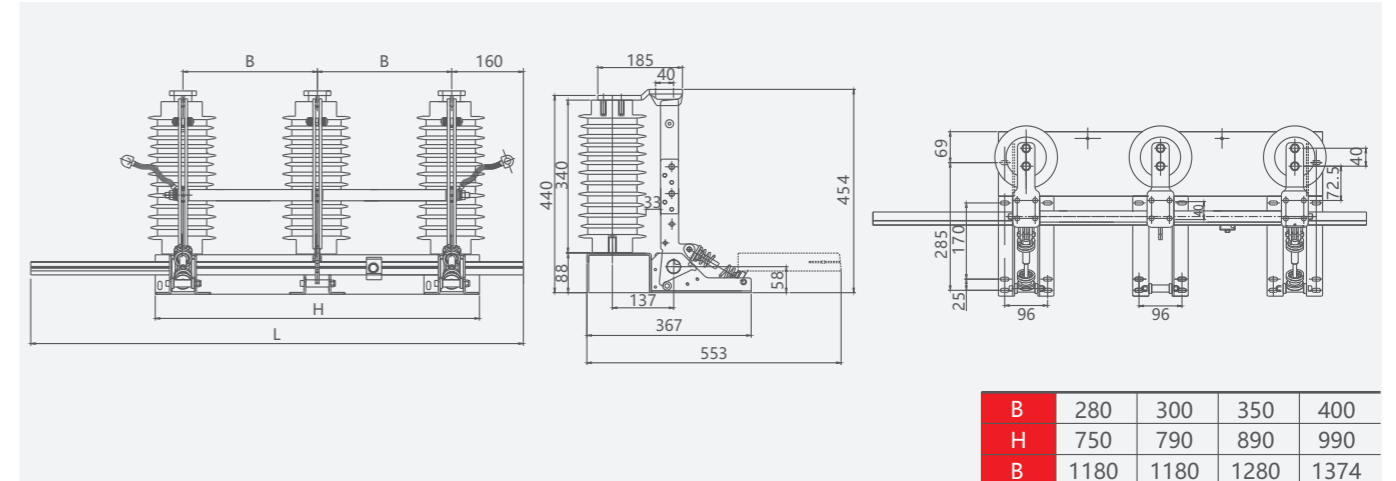
Selection



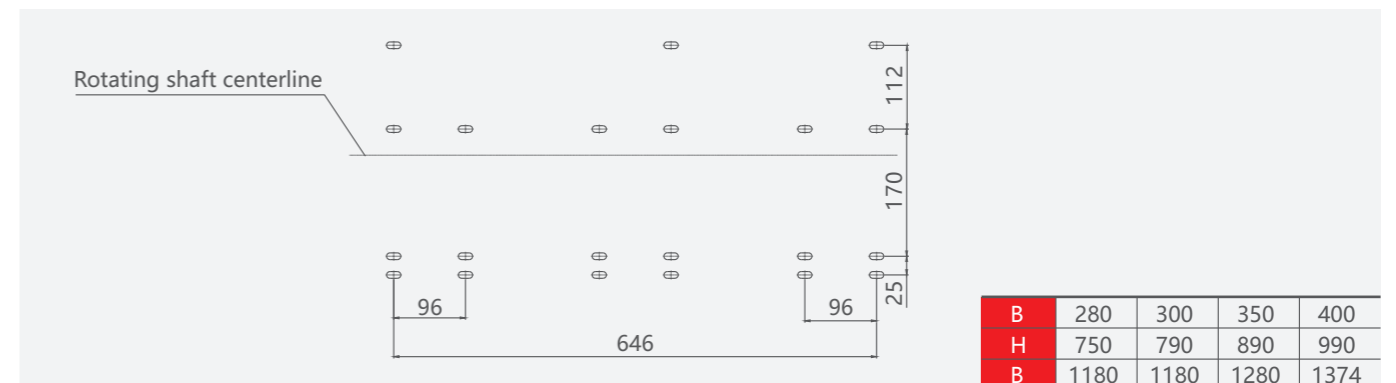
Operating conditions

- Ambient temperature: -10~+40°C
- Altitude: ≤1000m
- Relative humidity: Day average relative humidity ≤95% Month average relative humidity ≤90%
- Earthquake intensity: ≤8degree
- Applicable in the place without corrosive, flammable gas and water place
- With no frequently intense vibrant place around.

Overall and mounting dimensions(mm)



Hole location diagram



MV Transformer CT&PT



POWER TRANSMISSION AND
DISTRIBUTION PRODUCT SELECTION

PROFESSIONAL MANUFACTURER OF
HIGH AND LOW VOLTAGE PRODUCTS

CNC
ELECTRIC

MV Transformer CT&PT

LFS(B)-10 Current Transformer

- ❖ This type of current transformer is casting resin, fully enclosed and post type product. It is used for metering electric energy and current, relay protection in the electrical system.
- ❖ Standard: IEC 61869-2

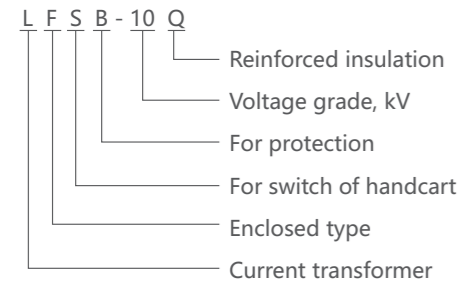
General



CNC
ELECTRIC

MV Transformer CT&PT LFS(B)-10 Current Transformer

Selection



Structural introduction

This type of current transformer is fully enclosed and post type. It has a good ability of insulation, moisture proof and antipollution. It is small and light. It can be installed at any place and any direction.

Technical data

1. Rated insulation level: 12/42/75kV;
2. Rated secondary current: 5A,1A;
3. Refer to the table for rated primary current, accuracy classed combination, rated output, rated dynamic and thermal current.
4. The conditions of partial discharge test is in line with GB1208-2006 current transformer.
5. Antipollution class: IIclass.

Technical data

Model	Rated Primary Current (A)	Accurate Grade Combination	Rated Secondary Output(VA)			Rated Short-time thermal-current (KA virtual value)	Rated Dynamic Stability Current (KA virtual value)
			0.2	0.5	10P10		
LFS-10 (LZZB-10)	5-200	0.2/0.2 0.5/0.5 0.2/0.5 0.2/10P10 0.5/10P10	10	10	15	8011N	20011N
	300					21	50
	400					24	60
	600					30	70
	800					40	75
LFSB-10 (LZZBJ-10)	5-200	0.2/10P10 0.5/10P10	10	10	20	8011N	20011N
	300					21	50
	400					24	60
	600					30	70
	800					40	75
1000							

MV Transformer CT&PT LFS(B)-10 Current Transformer

Diagram1 Overall and mounting dimensions(mm) of LFS-10Q(LZZB-10)

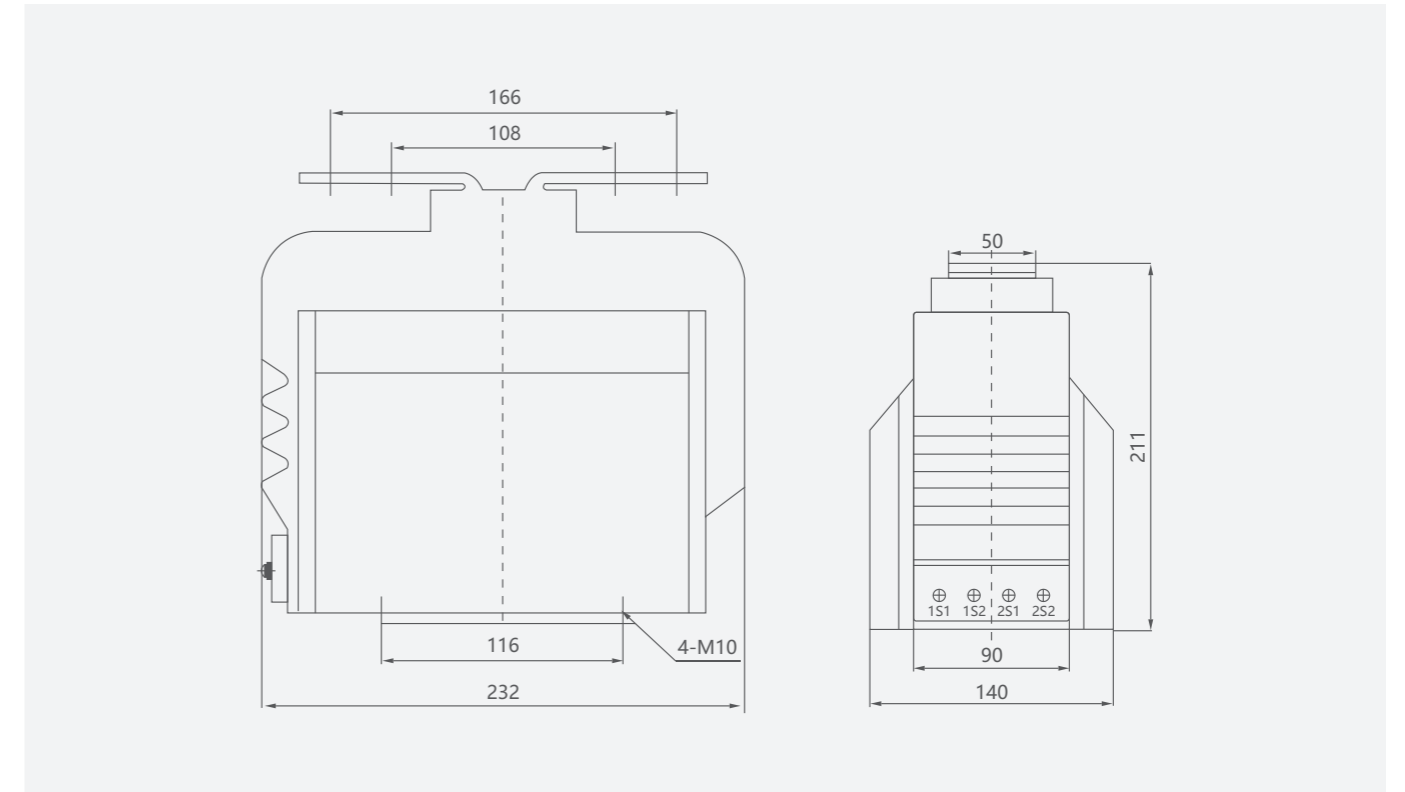
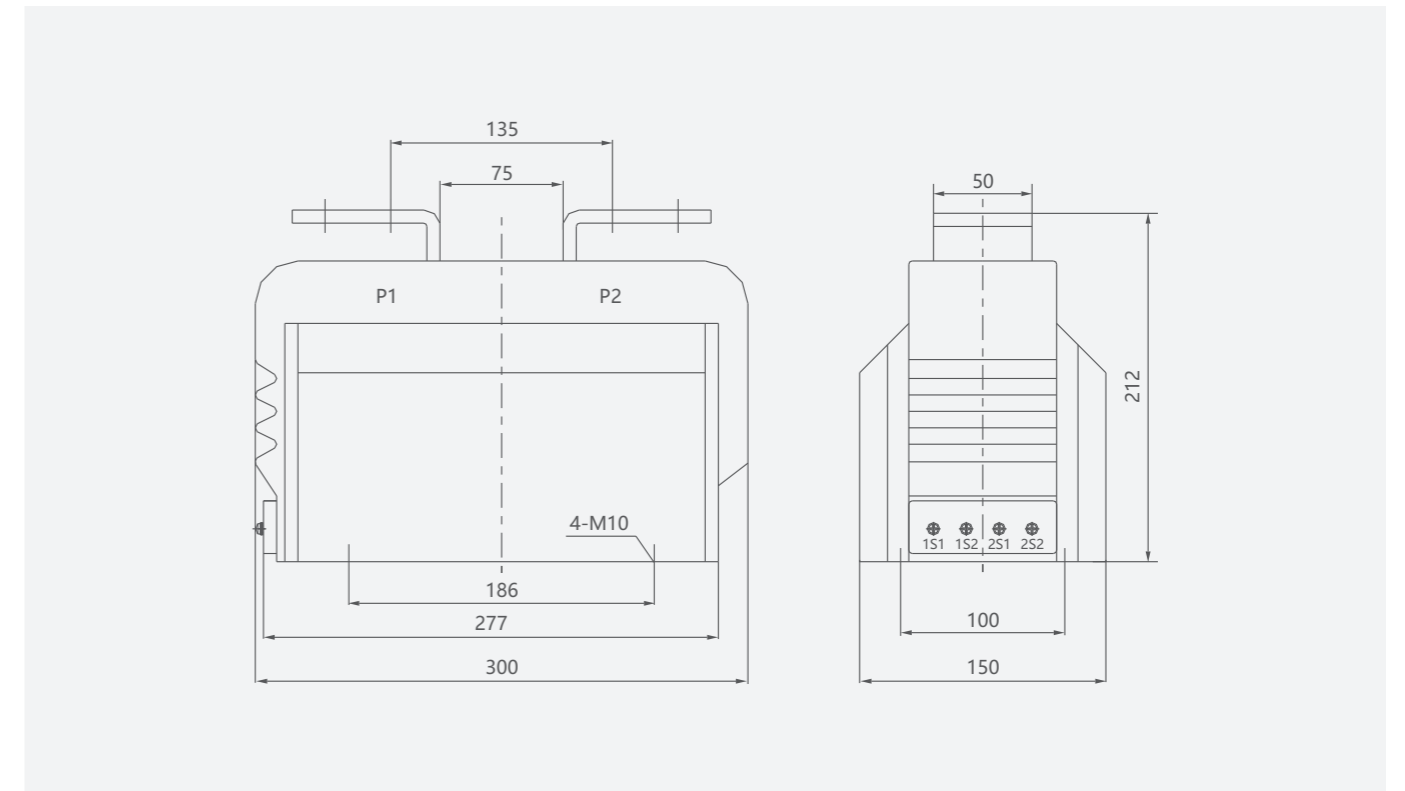


Diagram2 Overall and mounting dimensions(mm) of LFSB-10(LZZBJ-10)



MV Transformer CT&PT

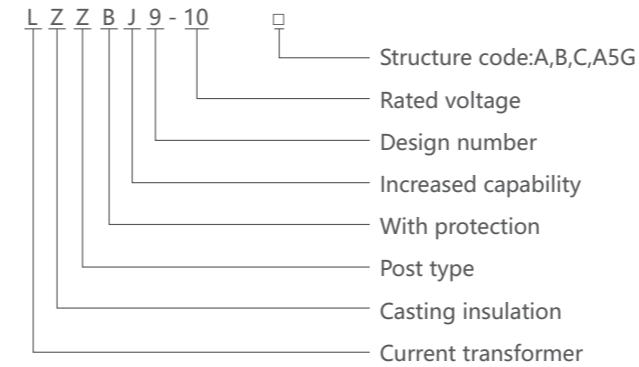
LZZBJ9-10 Current Transformer

- ☞ This current transformer is of a whole sealing casting insulation pillar type, used for measurement of current and electric energy as well as relay protection in the AC circuit of rated frequency 50Hz and rated voltage 10kV.
- ☞ Standard: IEC 61869-2

General

MV Transformer CT&PT LZZBJ9-10 Current Transformer

Selection



Technical data

- The performance of products is conformed to IEC standard and GB1208-2006 Current Transformer.
- Rated insulation level: 12/42/75kV
- Load power factor: $\cos\Phi=0.8$ (Lag)
- Rated frequency: 50Hz
- Rated secondary current: 5A, 1A
- Partial discharge level: In conformity to GB5583-85 standard, its partial discharge is not more than 20PC.

Technical data

Model	Rated primary current (A)	Accurate class combination	Rated secondary output(VA)				Rated short-time thermal current (KA virtual value)	Rated dynamic stability current (KA peak)
			0.2,0.2S	0.5, 0.5S	10P10	10P15		
LZZBJ9-10 (A,B,C)	5	0.2/10P 0.2S/10P 0.5/10P 0.5S/10P	10	10	10	15	2	5
	10						4.5	11
	15						6.3	15
	20						9.5	23
	30						12.6	31.5
	40						18	45
	50						22	55
	70						36	80
	100-200						50	90
	300-600						72	100
	800-1250						80	110
1500-3150	100	130						

MV Transformer CT&PT
LZZBJ9-10 Current Transformer

Model	Rated Primary Current (A)	Accurate class combination	Rated output (VA)	Rated short-time thermal current (KA virtual value)	Rated dynamic stability current (KA peak)
LZZBJ9-10A5G	20,30,40,50,75,100	0.2/0.2/5P10	10/10/40	150I1n	375I1n
	150,200	0.2/0.5/5P15	10/15/30	31.5	80
	300,400	0.2/0.5/5P20	10/15/20	45	112.5
	500	0.2/5P10/10P15	10/20/20	63	130
	600,800	0.5/5P10/10P20	10/20/15	63	130
		0.2/0.2/5P10	10/10/40		
		0.2/0.5/5P15	10/15/30		
		0.2/0.5/5P20	10/15/20		
		0.2/5P10/10P15	10/20/20		
		0.5/5P10/10P20	10/20/15		
	1000,1200,1250	0.2/0.2/5P10	10/10/40	80	160
		0.2/0.5/5P15	10/15/30		
	0.2/0.5/5P20	10/15/20			
	0.2/5P10/10P15	10/20/20			
	0.5/5P10/10P20	10/20/15			
1500	0.2/0.2/5P10	10/10/40	100	160	
	0.2/0.5/5P15	10/15/30			
	0.2/0.5/5P20	10/15/20			
2000	0.2/5P10/10P15	10/20/20	100	160	
	0.5/5P10/10P20	10/20/15			
2500	0.2/0.2/5P10	10/10/40	100	160	
	0.2/0.5/5P15	10/15/30			
	0.2/0.5/5P20	10/15/20			
	0.2/5P10/10P15	10/20/20			
	0.5/5P10/10P20	10/20/15			
3000,3150	0.2/0.2/5P10	10/10/40	100	160	
	0.2/0.5/5P15	10/15/30			
	0.2/0.5/5P20	10/15/20			
	0.2/5P10/10P15	10/20/20			
	0.5/5P10/10P20	10/20/15			

MV Transformer CT&PT
LZZBJ9-10 Current Transformer

Outline and Installation

Fig 1 Overall and installation dimension of LZZBJ9-10A current transformer

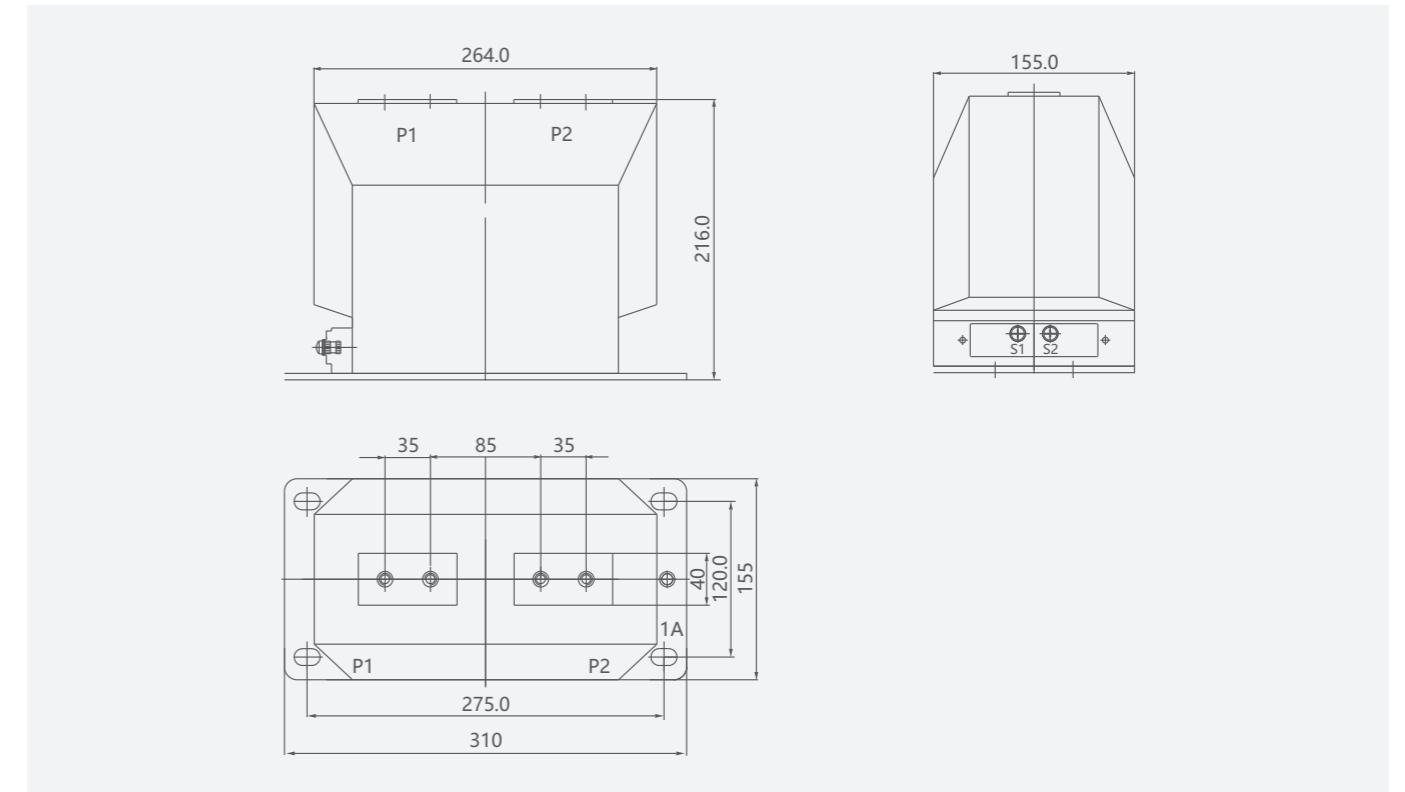
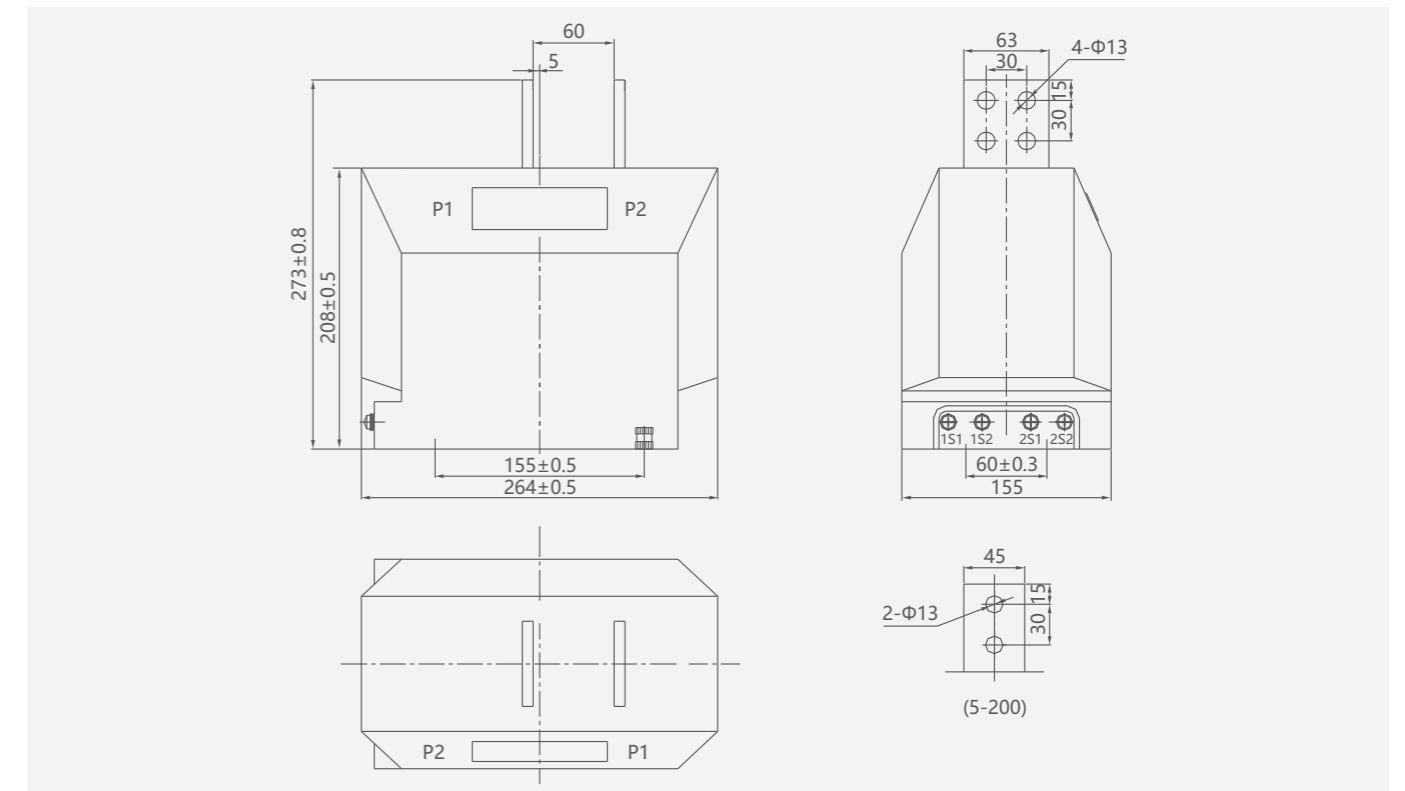


Fig 2 Overall and installation dimension of LZZBJ9-10B current transformer



MV Transformer CT&PT

LZZBJ9-10 Current Transformer

Outline and Installation

Fig 3 Overall and installation dimension of LZZBJ9-10C current transformer

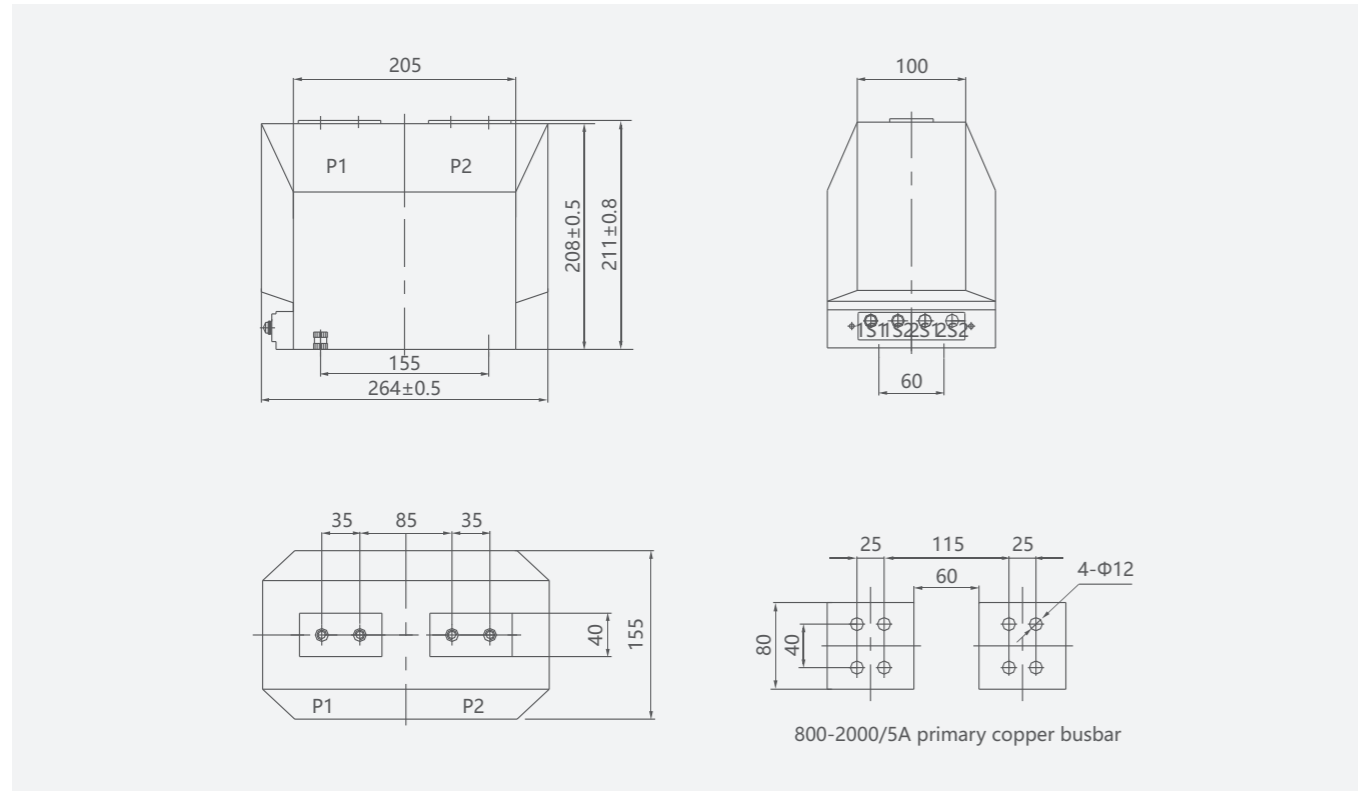
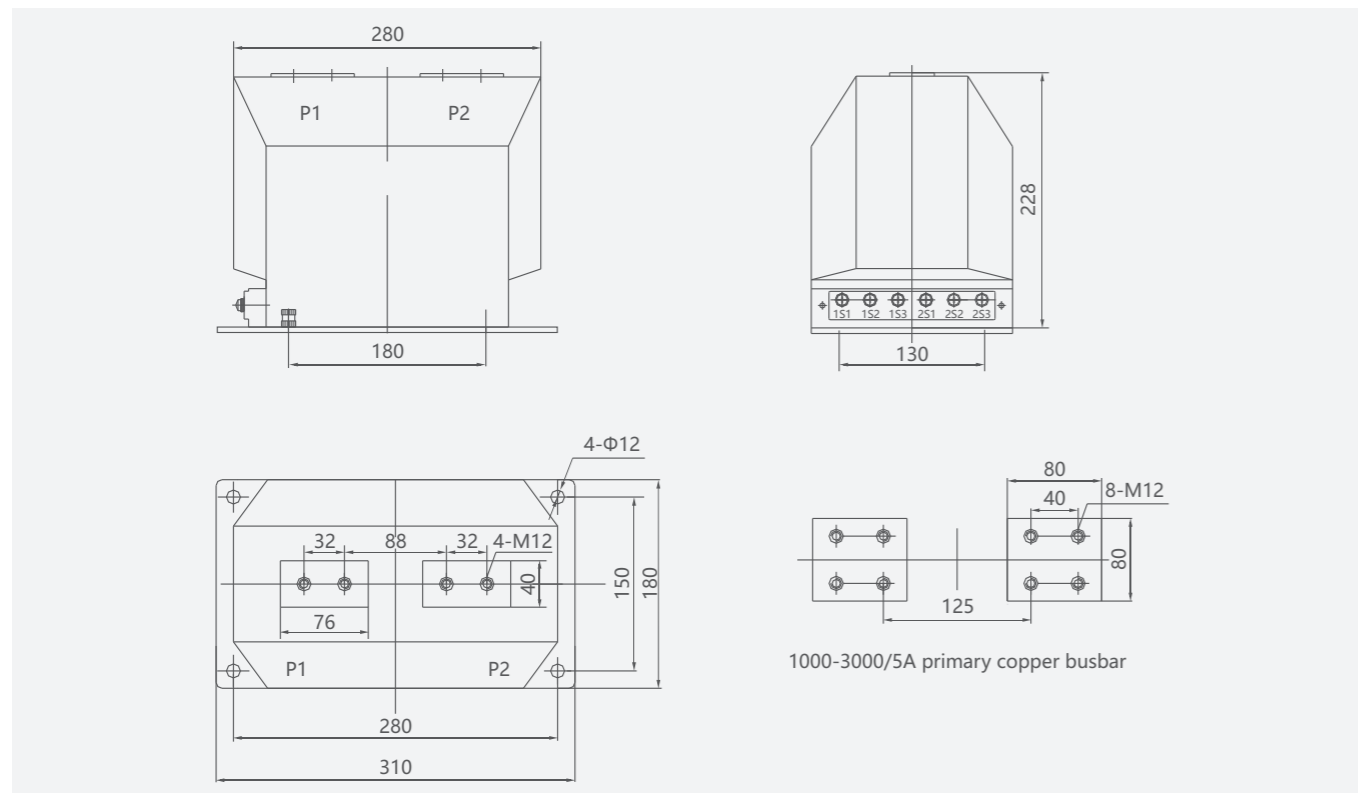


Fig 4 Overall and installation dimension of LZZBJ9-10C 2 current transformer



MV Transformer CT&PT

LZZBJ9-10 Current Transformer

Outline and Installation

Fig 5 Overall and installation dimension of LZZBJ9-10A5G 5-1000A current transformer

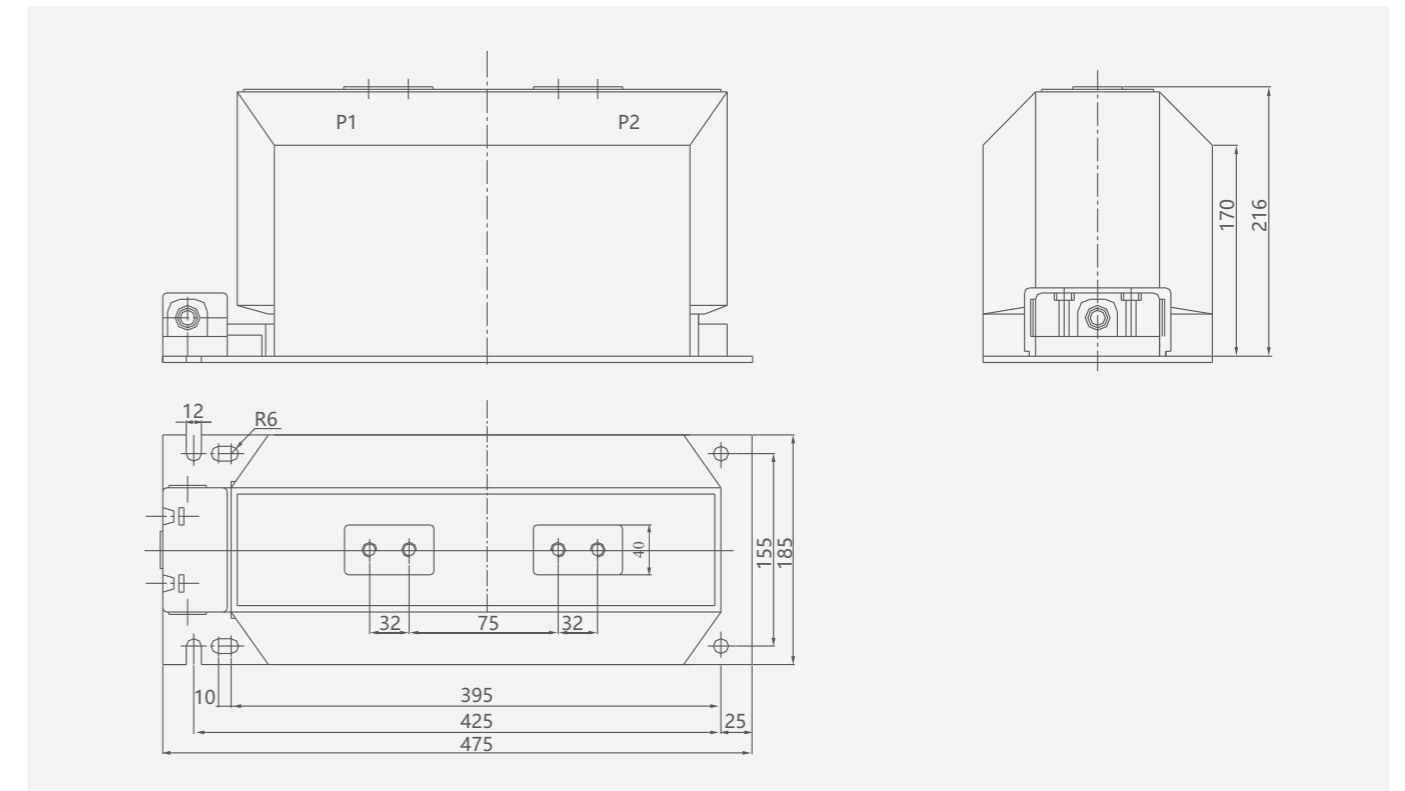
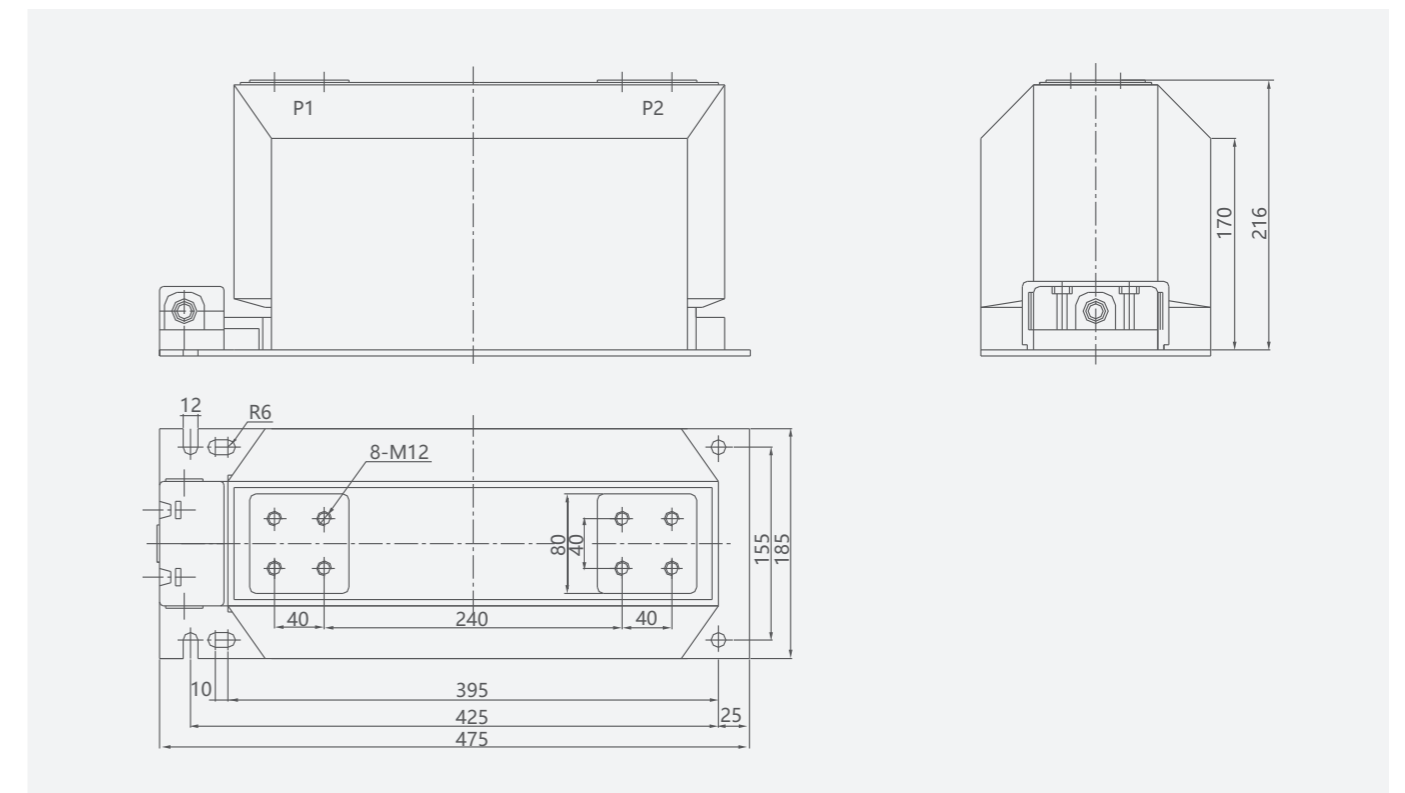


Fig 6 Overall and installation dimension of LZZBJ9-10A5G 1200-3000A current transformer



MV Transformer CT&PT

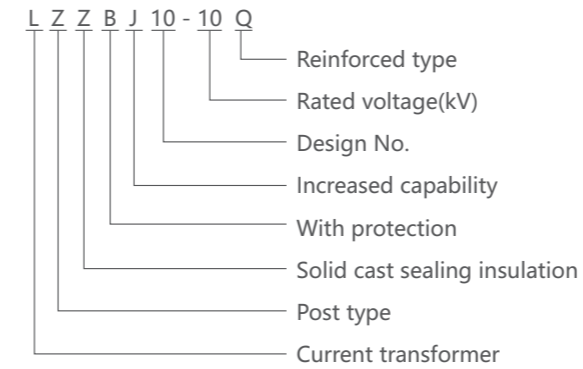
LZZBJ10-10Q Current Transformer

- LZZBJ10-10Q series is all work-condition post type current transformer with epoxy casting whole sealing insulation, used for measurement of current and electric energy as well as relay protection in the AC circuit of rated frequency 50Hz and rated voltage 10kV.
- Standard: IEC 61869-2

General

MV Transformer CT&PT LZZBJ10-10Q Current Transformer

Selection



Technical data

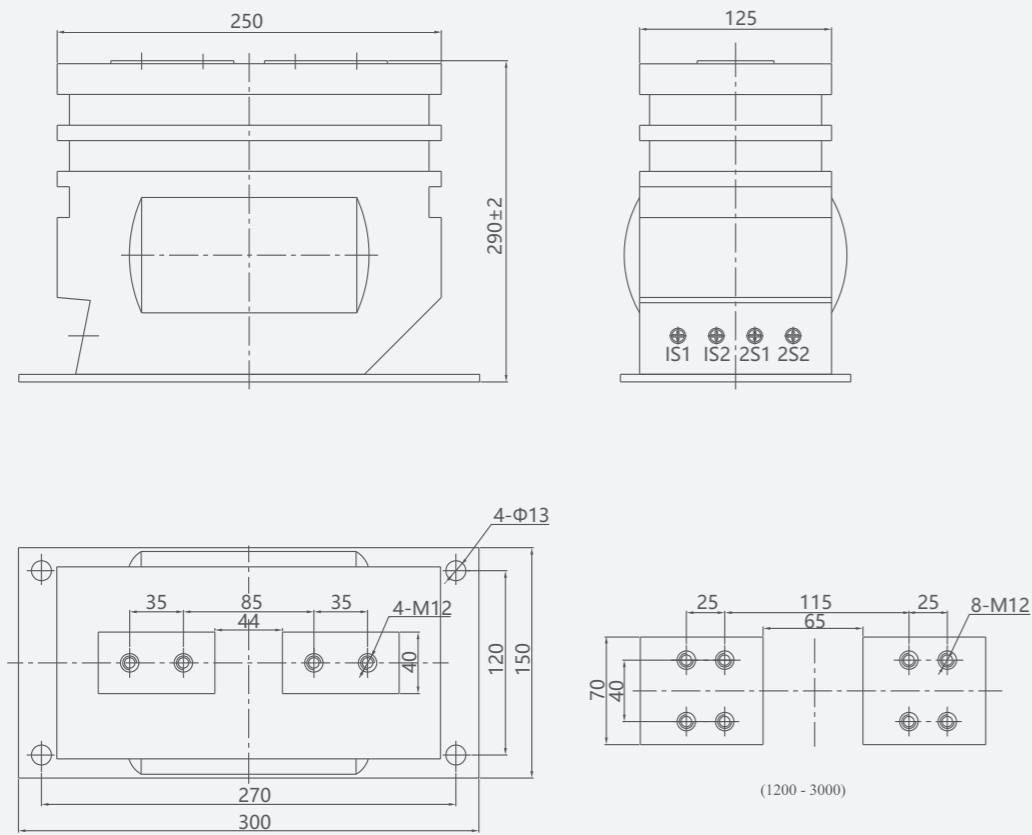
- The performance of products is conformed to IEC standard and GB1208-2006
- Current Transformer.
- Rated insulation level: 12/42/75kV
- Rated frequency: 50Hz
- Rated secondary current: 5A, 1A
- Partial discharge level: In conformity to GB5583-85 standard, its partial discharge is not more than 20PC.

Technical data

Rated primary current (A)	Accurate class combination	Rated secondary output(VA)				Rated short-time thermal current (KA virtual value)	Rated dynamic stability current (KA peak)
		0.2S,0.2	0.5	10P10	10P15		
10	0.2S/10P 0.2/10P or 0.5S/10P 0.5/10P	10	15	20	15	2	5
15						3	7.5
20						4	10
30						6	15
40				8	20		
50-60				21	52.5		
50-60				45	112.5		
75-100				45	112.5		
150-200		63	130				
300,400,500		63	130				
300,400,500		80	160				
600-800		80	160				
1000,1200,1250		80	160				
1500-2000		100	100				
3000-3150		100	100				
1500-2000		100	100				
3000-3150	100	100					

MV Transformer CT&PT
LZZBJ10-10Q Current Transformer

Overall and mounting dimensions(mm)



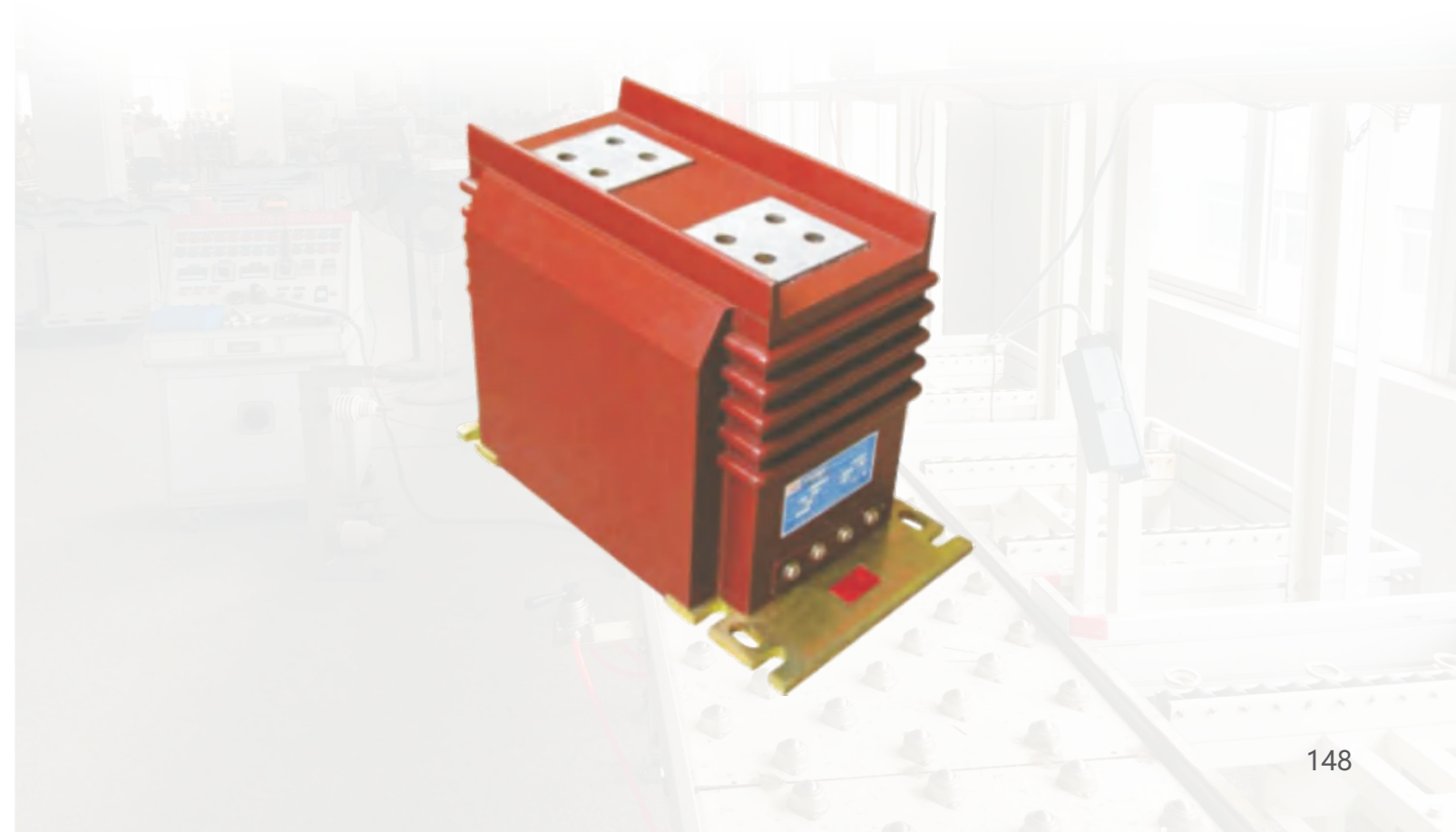
Overall and installation dimension of LZZBJ10-10Q

MV Transformer CT&PT

LZZBJ18-10 Current Transformer

- ◊ This series of current transformers is epoxy resin vacuum casting fully-enclosed support-type, they adopt advanced materials and technology, they are used for current, power measurement and relay protection indoors alternate power system with frequency 50-60Hz, rated voltage 10kV and below. This series of products has the newest series super precision, super dynamic and thermal stability, large-capacity, number of secondary winding is 2-4, can be arbitrarily composed by different needs.
- ◊ Standard: IEC 61869-2

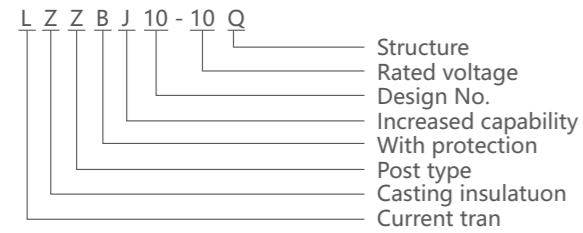
General



MV Transformer CT&PT

LZZBJ18-10 Current Transformer

Selection



Technical data

1. Rated insulation level: 10kV:12/42/75kV; 20kV:24/65/125kV
2. Power factor of load: $\cos\Phi=0.8$ (lagging)
3. Rated secondary current: 5A(or 2A,1A)

LZZBJ18-10/150b/2 Type

Rated primary current (A)	1s thermal current (kA virtual value)	Dynamic standing current (kA peak)	Accuracy class combination (1S/2S)	Rated secondary output(VA)		
				0.2S	0.5	5P15 10P15
20	2	5	0.2/0.5/10P10 0.2/0.5/5P10 0.5/0.5/10P10 0.2/0.2/10P10 0.5/0.5/5P10 0.2/0.2/5P10	10	10	15
30	3	7.5				
40-50	5.4	13.5				
75	8.1	20.2				
100	10.8	27				
150	16.2	40.5				
200	24.3	60.7				
300	37.8	94.5				
400	48.6	121.5				
500	63	150				
600-630	63	150				
800-1000	100	250				
1200-1600	110	270				
2000	175	425				
						10

LZZBJ18-10/185h/2 Type

Rated primary current (A)	1s thermal current (kA virtual value)	Dynamic standing current (kA peak)	Accuracy class combination (1S/2S)	Rated secondary output(VA)				
				0.2S	0.2	0.5	5P10 10P10	5P15 10P15
10-40	200I th	250I th	0.2/0.2 0.2/0.5 0.2/10P 0.5/10P 0.2/5P 0.5/5P	10	10	15	20	10
50-100	250I th	625I th						
150-300	45	100						
400-500	100	250						
600-1000	140	350						
1200-1600	170	425						
2000-3150	240	600		15	20	30	15	

MV Transformer CT&PT

LZZBJ18-10 Current Transformer

LZZBJ18-10/150b/4 Type

Rated primary current (A)	1s thermal current (kA virtual value)	Dynamic standing current (kA peak)	Accuracy class combination (1S/2S)	Rated secondary output(VA)					
				0.2S	0.2	0.5	5P10 10P10	5P15 10P15	5P20 10P20
20-150	150Ith	375Ith	0.2/0.2 0.2/0.5 0.5/0.5 0.2/10P10 0.5/10P10 0.5/10P10	10	10	15	15	10	10
200	36	90							
300	45	100							
400-500	63	150							
600-630	63	150							
800-1000	100	250							
1200-1600	110	270							
2000	175	425							
2500	175	425							

LZZBJ18-10/150b/4 Type

Rated primary current (A)	1s thermal current (kA virtual value)	Dynamic standing current (kA peak)	Accuracy class combination (1S/2S)	Rated secondary output(VA)												
				0.2S	0.2	0.5	5P10 10P10	5P15 10P15	5P20 10P20							
20-150	150Ith	375Ith	0.2(S)/0.2(S) 0.5/0.5 0.2(S)/10P(5P) 0.5/10P(5P)	10	10	15	30	20	15							
200	36	90														
300	45	100														
400-500	63	150														
600-630	63	150														
800-1000	100	250														
1200-1600	110	270														
2000	175	425														
2500	175	425														

Model LZZBJ18-10/185h/4 type thermal standing current

Rated primary current (A)	10-40	50-100	150-300	400-500	600-1000	1200-1600	2000-3150
1s thermal current (kA virtual value)	200Ith	250Ith	45	100	140	170	240
Dynamic standing current (kA peak)	500Ith	625Ith	100	250	350	425	600

Model LZZBJ18-10/185h/4 combination of accuracy grade and corresponding secondary output

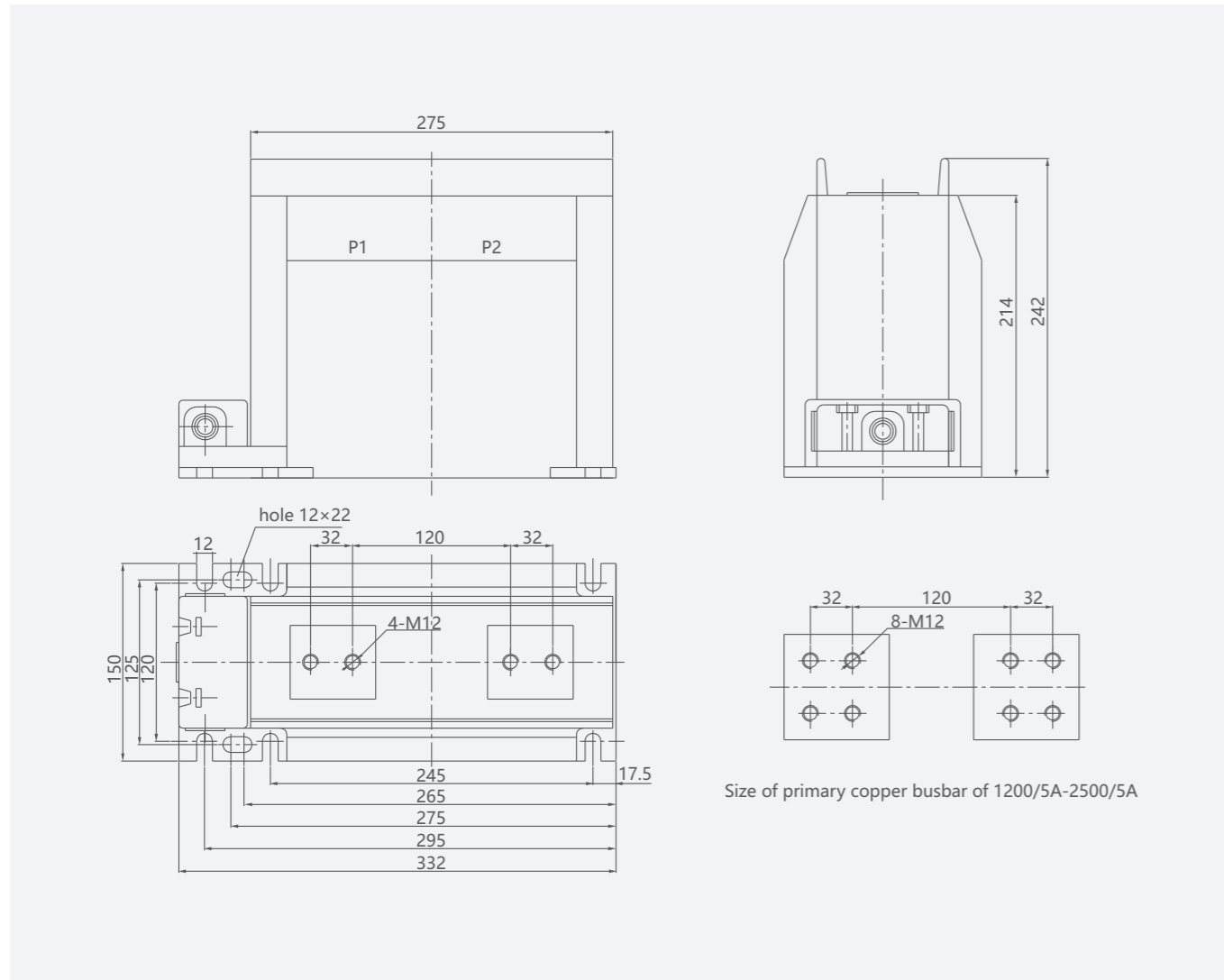
Accuracy class combination	10-200A						300-600A						800-1250A											
	0.2 (S)	0.2	0.5	10P 10	10P 15	10P 20	0.2 (S)	0.2	0.5	10P 10	10P 15	10P 20	0.2 (S)	0.2	0.5	10P 10	10P 15	10P 20	0.2 (S)	0.2	0.5	10P 10	10P 15	10P 20
0.2(S)/10P 0.5/10P 0.2(S)/0.2(S)/0.5/0.5	10	10	20	40	30	20	10	10	20	40	30	20	10	15	20	60	40	30	10	15	20	60	40	30
0.2(S)/0.5/10P	10	10	15	30	20	15	10	10	15	40	30	20	10	15	20	50	40	30	10	15	20	50	40	30
0.2(S)/10P/10P 0.5/10P/10P	10	10	15	20	15		10	10	15	30	20		10	15	15	30	20	15	10	15	15	50	30	20
0.2(S)/0.5/10P/10P	10	10	15	15			10	10	15	15			10	15	15	20	15		10	15	15	20	15	
0.2/0.2/0.5/10P	10	10	15	15			10	10	15	15			10	15	15	30	20		10	15	15	30	20	

MV Transformer CT&PT

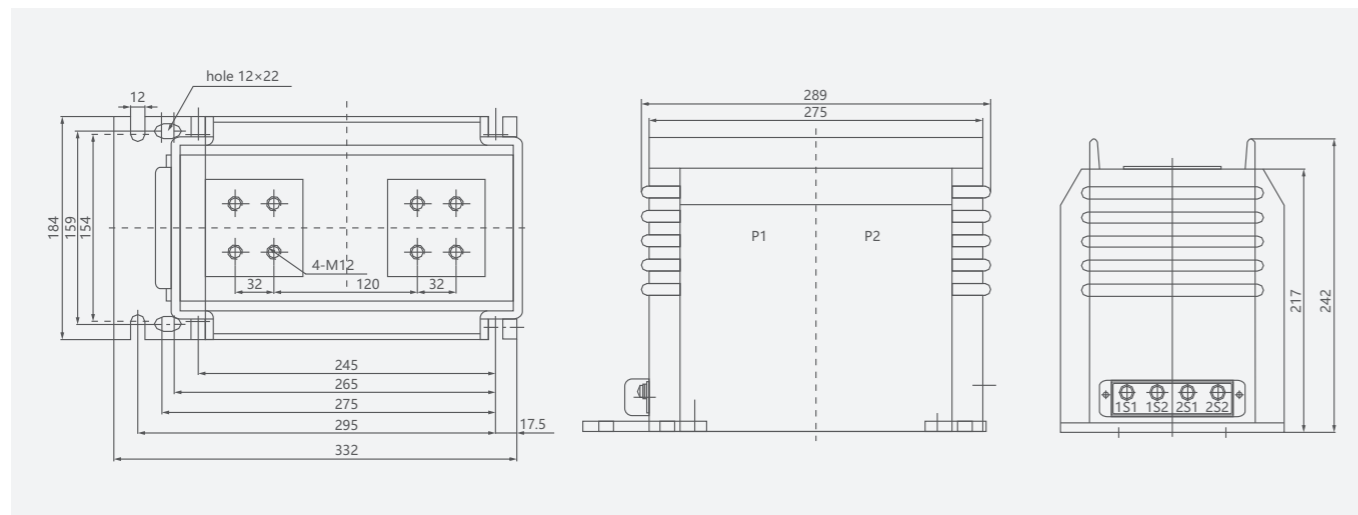
LZZBJ18-10 Current Transformer

Single ratio wiring diagram

LZZBJ18-10/150b/2 type(equivalent to AS12/150b/2S)



LZZBJ18-10/185h/2 type(equivalent to AS12/185h/2S)

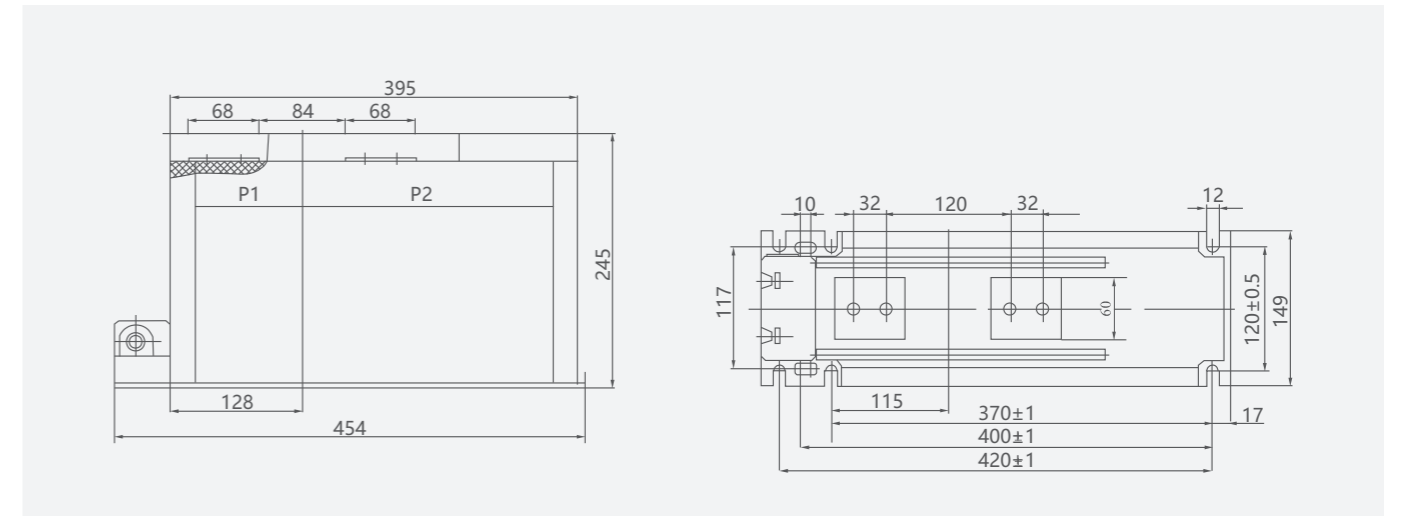


MV Transformer CT&PT

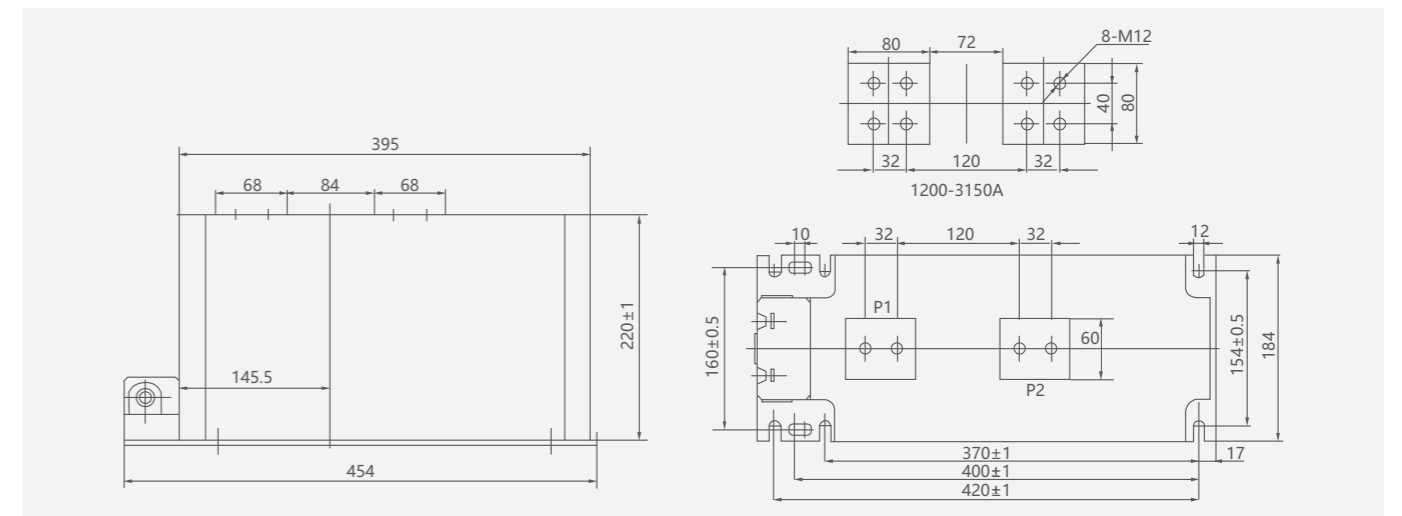
LZZBJ18-10 Current Transformer

Single ratio wiring diagram

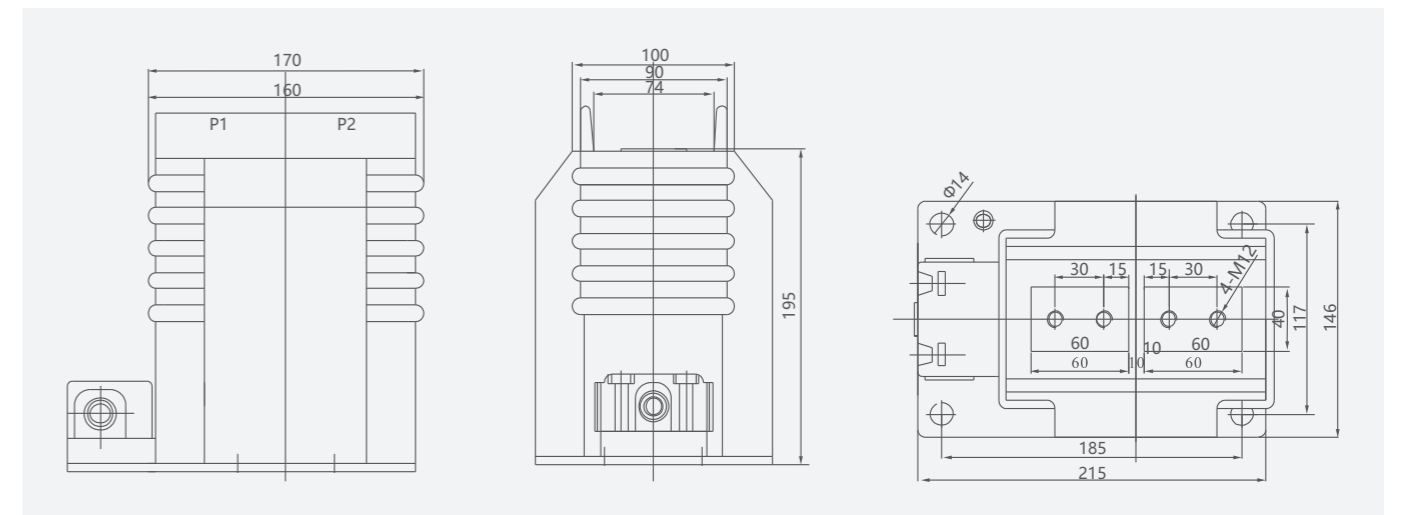
LZZBJ18-10/150b/4 type(equivalent to AS12/150b/4S)



LZZBJ18-10/185h/4 type(equivalent to AS12/185h/4S)



LZZBJ18-10 Single-winding mutual inductance electrical



MV Transformer CT&PT

LCT-2,3,4,7 Zero-sequence Current Transformer

- ☞ This zero-sequence current transformer has such characteristics as high precision, good linearity, reliable operation, easy installation, especially this transformer can be applied to system of zero-sequence current 1A and 2A while conventional zero-sequence transformer can not. The exterior design is two central-circle combined type, novel structure, beautiful and reasonable.
- ☞ The products can be used for power supply system in the fields of electric power, metallurgy, coal, petroleum, chemical industry, building material and other industries.
- ☞ Standard: IEC 61869-1

General

MV Transformer CT&PT

LCT-2,3,4,7 Zero-sequence Current Transformer

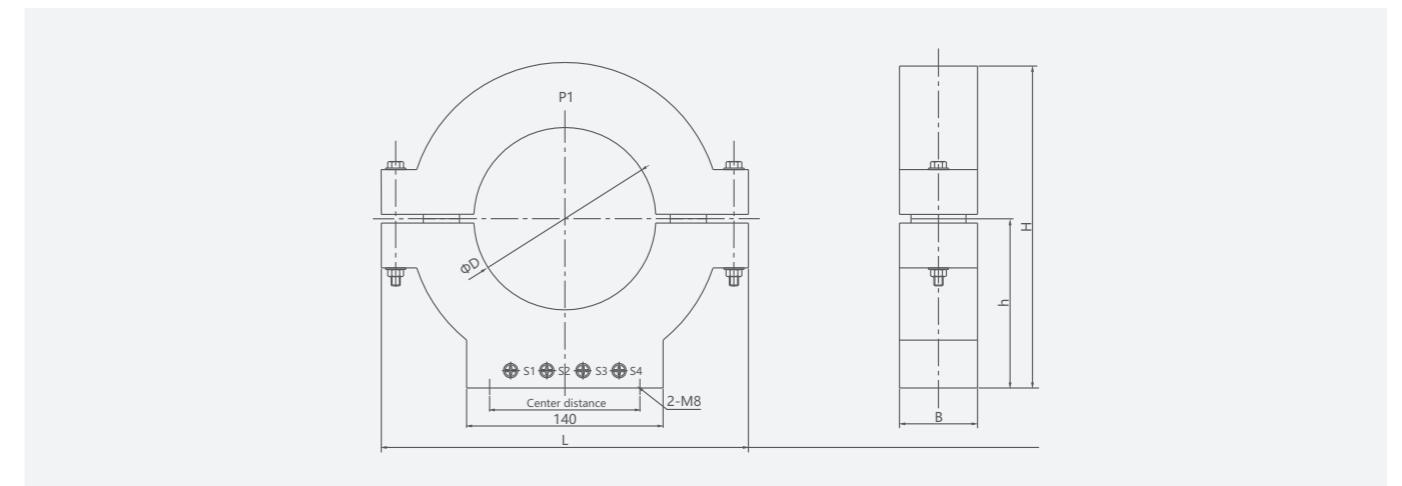
Technical data

1. Operating environment
 - a. Environmental temperature: $-20^{\circ}\text{C}\sim 50^{\circ}\text{C}$;
 - b. Relative humidity: $\leq 90\%$
 - c. Atmospheric pressure: $80\text{kpa}\sim 200\text{kpa}$;
2. AC voltage: $66\text{kV}\sim 4000\text{kV}$;
3. Zero-sequence current: Primary side $\sim 36\text{A}$ (customize for 36A or above, secondary side $20\sim 30\text{mA}$)
4. Electric network frequency: 50Hz ;
5. The terminal used with ML98 device-using explanation;

System primary zero-sequence current(A)	Selected terminal
$1\leq 10 < 6$	S1, S2
$6\leq 10 < 12$	S1, S3
$12\leq 10 < 36$	S1, S4

6. Secondary load: $\leq 2.5\Omega$

Overall and mounting dimensions(mm)



Type	Bore ΦD	Width L	Height H	Center height h	Thickness B	Mounting size and bolt spec.(M8×25)
LCT-7	$\Phi 185$	338	305	165	60	105 ± 0.5
LCT-5	$\Phi 150$	300	280	150	55	105 ± 0.5
LCT-4	$\Phi 120$	300	280	150	55	105 ± 0.5
LCT-3	$\Phi 100$	260	230	123	55	105 ± 0.5
LCT-2	$\Phi 80$	210	200	106	55	110 ± 0.5

MV Transformer CT&PT

JDZ(J)-3,6,10(Q) Voltage Transformer

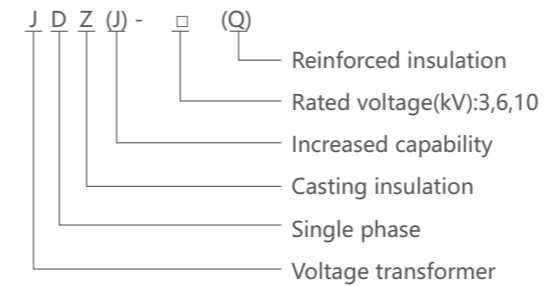
- JDZ3-3,6,10(Q) type single-phase double coil voltage transformer of epoxy casting insulation for indoor device use, is used for measurement of voltage and electric energy, relay protection in the AC circuit of rated frequency 50Hz as well as other control device power. (refer to figure 1 wiring diagram)
- JDZ(J)-3,6,10(Q) type single-phase double coil voltage transformer of epoxy casting insulation for indoor device use, is used for measurement of voltage and electric energy, relay protection in neutral non-direct earthing system of rated frequency 50Hz as well as for other control device power(refer to figure 2 wiring diagram)
- Standard:IEC 61869-3

General

MV Transformer CT&PT

JDZ(J)-3,6,10(Q) Voltage Transformer

Selection

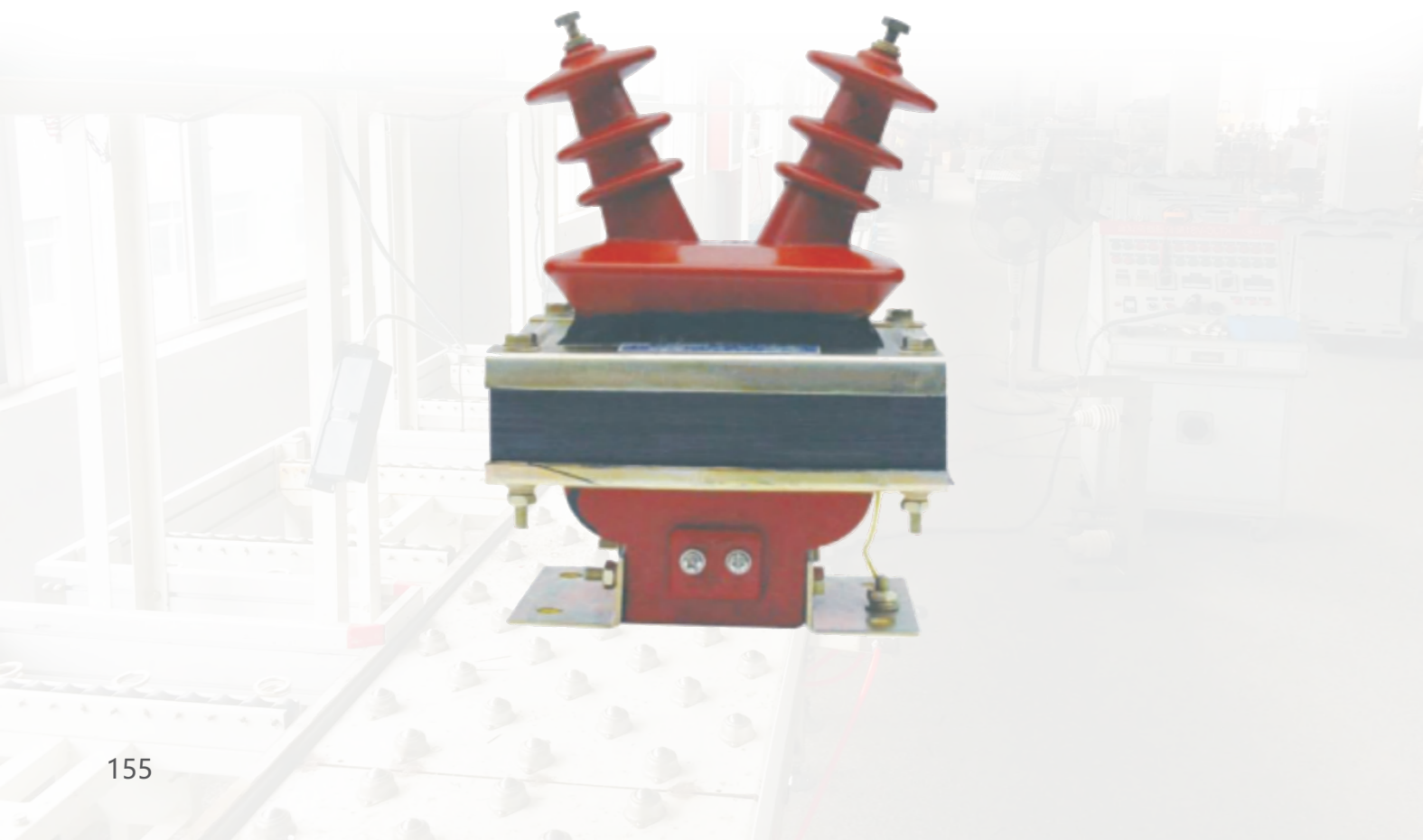


Technical data

Type	Short circuit current(A)	
	IS1	IS2
JDZ-3	3.125	93.75
JDZ-6	1.52	91.49
JDZ-6(0.2 class)	1.81	108.54

Type	Short circuit current(A)	
	IS1	IS2
JDZ-10	1.30	130
JDZ-10(0.2 class)	1.32	132
JDZJ-3	2.15	64.78

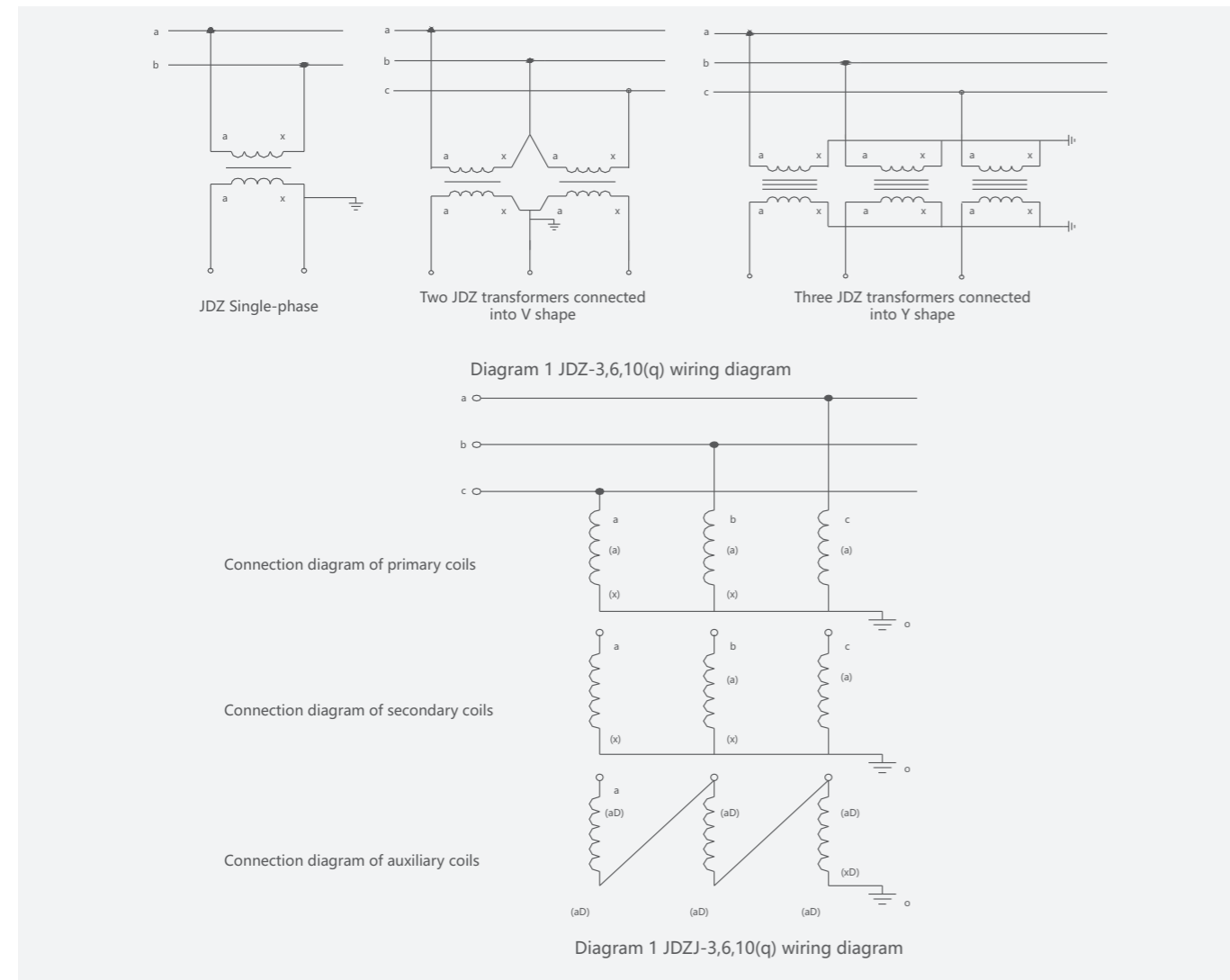
Type	Short circuit current(A)	
	IS1	IS2
JDZJ-6	1.32	79.3
JDZJ-6	0.97	97
JDZJ-10(0.2 class)	0.97	97



MV Transformer CT&PT JDZ(J)-3,6,10(Q) Voltage Transformer

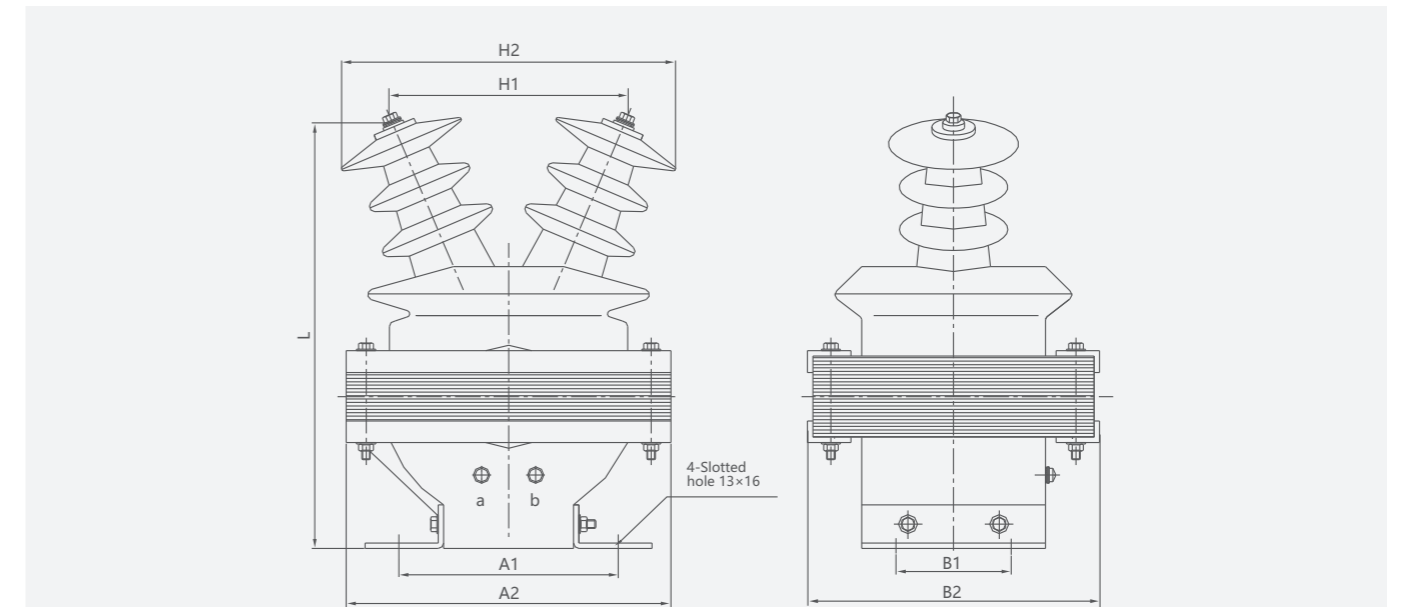
Type	Rated voltage ratio(V)	Rated secondary output(VA)						Ultimate output (VA)	Rated insulation level(VA)	Exterior creepage distance(mm)	
		0.2 class	0.5 class	1 class	3 class	0.2/0.2	0.5/0.5				6p
JDZ-3(Q)	1000/100	20	30	50	80	20/20	30/30		200	3.6/23/40	205
JDZ-6(Q)	2000/100	30	50	80	200	20/20	30/30		400	7.2/32/60	250
JDZ-10(Q)	3000/100		80	150	300	25/25	50/50		500	12/42/75	250
JDZJ-3(Q)	$\frac{3000}{\sqrt{3}} / \frac{100}{\sqrt{3}} / \frac{100}{\sqrt{3}}$		30	50	80			50	200	3.6/23/40	205
JDZJ-6(Q)	$\frac{6000}{\sqrt{3}} / \frac{100}{\sqrt{3}} / \frac{100}{\sqrt{3}}$	20	50	80	200			50	400	7.2/32/60	205
JDZJ-10(Q)	$\frac{10000}{\sqrt{3}} / \frac{100}{\sqrt{3}} / \frac{100}{\sqrt{3}}$	20	50	80	200				400	12/42/75	250

Overall and mounting dimensions(mm)



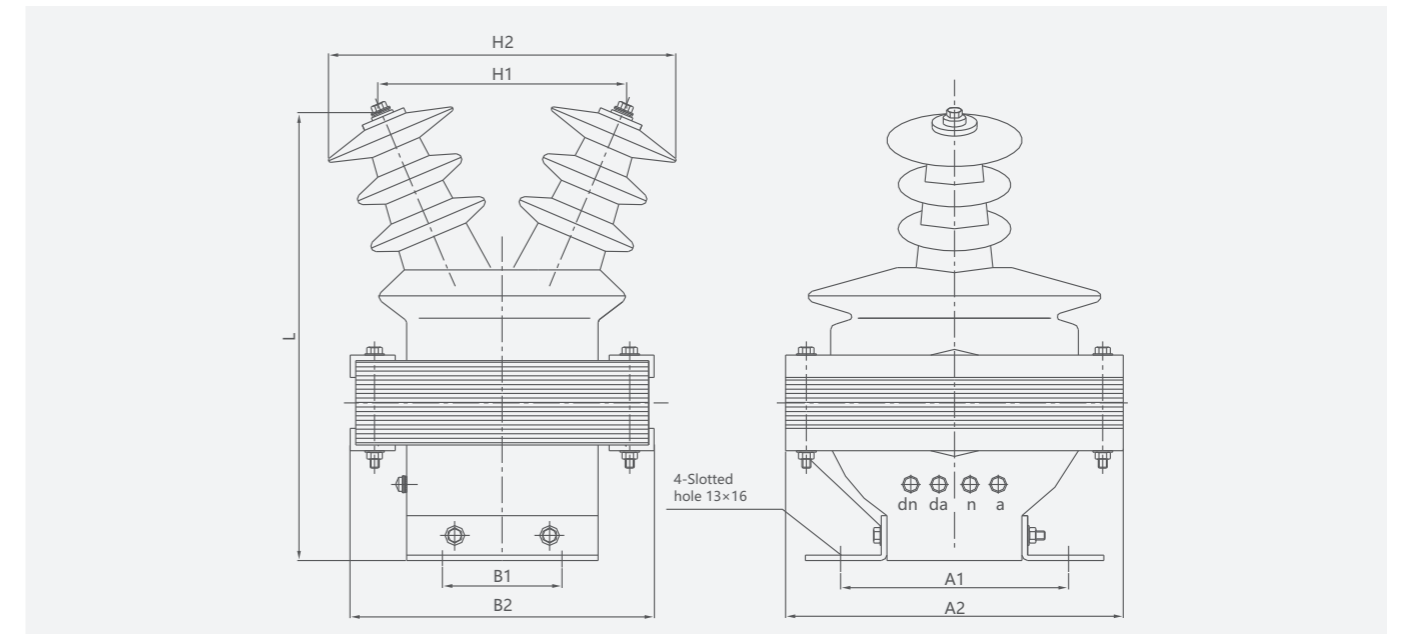
MV Transformer CT&PT JDZ(J)-3,6,10(Q) Voltage Transformer

JDZ-3,6,10(Q)



Type	H1 (mm)	H2 (mm)	L (mm)	A1 (mm)	A2 (mm)	B1 (mm)	B2 (mm)
JDZ-10(Q)	180	250	305	170	236	90	207
JDZ-3,6(Q)	160	215	275	170	220	90	190

JDZJ-3,6,10(Q)



Type	H1 (mm)	H2 (mm)	L (mm)	B1 (mm)	B2 (mm)	A1 (mm)	A2 (mm)
JDZJ-10(Q)	180	250	305	90	207	170	238
JDZJ-3,6(Q)	160	215	275	90	190	170	220

MV Transformer CT&PT

JDZ8-3,6,10 Voltage Transformer

- JDZ8-3, 6, and 10 voltage transformers are single-phase epoxy resin cast insulation fully enclosed products, suitable for use in power systems with non effectively grounded neutral points at rated frequencies of 50HZ or 60HZ and rated voltages of 3KV, 6KV, and 10KV for energy metering, voltage monitoring, and relay protection
- Standards: IEC 61869-3

General



MV Transformer CT&PT JDZ8-3,6,10 Voltage Transformer

Technical data

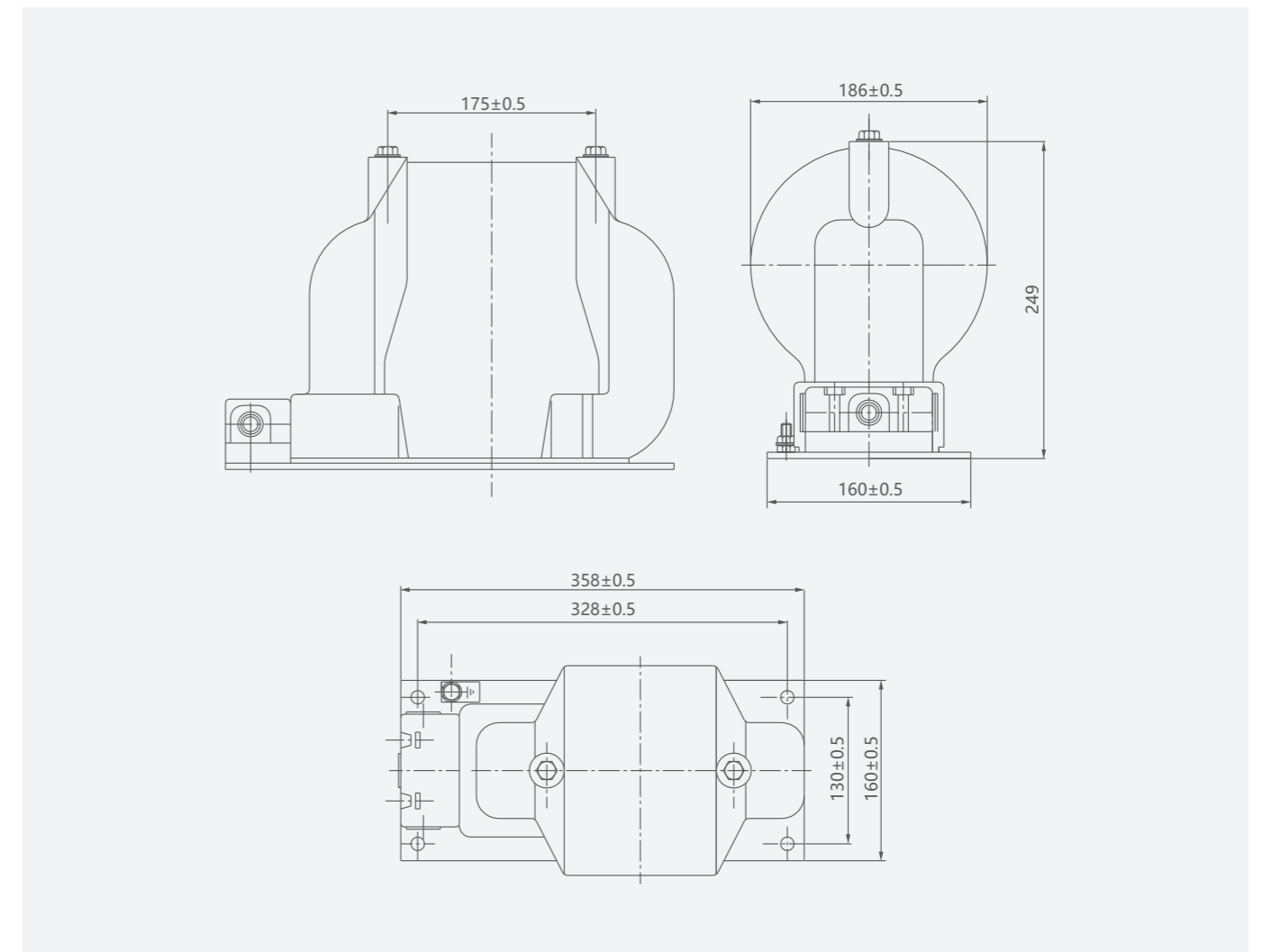
The voltage transformer is in accordance with GB1207 and IEC186 standards...

Type	Rated frequency (Hz)	Voltage ratio (V)	Accuracy class	Rated output (VA)	Ultimate output (VA)	Rated insulation level(kV)
JDZ8-3	50	3000/100	0.2 0.5	40 80	600~1000	3.6/24/40
JDZ8-6	50	6000/100	0.2 0.5	40 80	600~1000	7.2/32/60
JDZ8-10	50	10000/100	0.2 0.5	40 80	600~1000	12/42/75

Note:

If user's data goes beyond the above-mentioned scope, they may be subjected to an agreement between manufacturer and purchaser. Rated put and its relative accuracy class are alternative.

Overall and mounting dimensions(mm)



MV Transformer CT&PT JDZ8-3,6,10 Voltage Transformer

Technical data

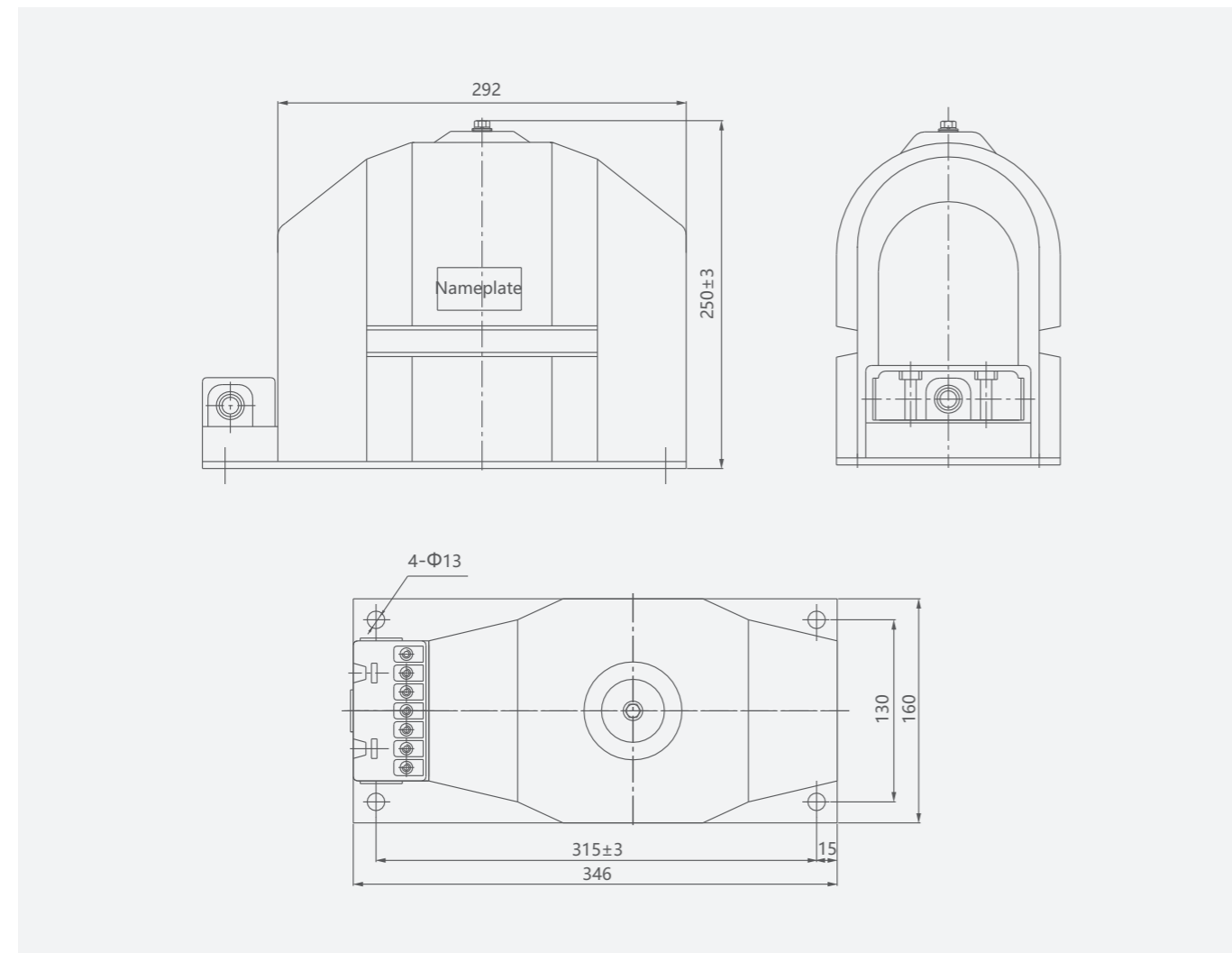
The voltage transformer is in accordance with GB1207 and IEC186 standards...

Type	Rated frequency (Hz)	Voltage ratio (V)	Accuracy class	Rated output (VA)	Ultimate output (VA)	Rated insulation level(kV)
JDZX8-3	50	$\frac{3000}{\sqrt{3}} / \frac{100}{\sqrt{3}} / \frac{100}{\sqrt{3}}$	0.2/6P 0.5/6P	30/100 50/100	500	3.6/24/40
JDZX8-6	50	$\frac{6000}{\sqrt{3}} / \frac{100}{\sqrt{3}} / \frac{100}{\sqrt{3}}$	0.2/6P 0.5/6P	30/100 50/100	500	7.2/32/60
JDZX8-10	50	$\frac{10000}{\sqrt{3}} / \frac{100}{\sqrt{3}} / \frac{100}{\sqrt{3}}$	0.2/6P 0.5/6P	30/100 50/100	500	12/42/75

Note:

If user's data goes beyond the above-mentioned scope, they may be subjected to an agreement between manufacturer and purchaser. Rated put and its relative accuracy class are alternative.

Overall and mounting dimensions(mm)



MV Transformer CT&PT

JDZ□□18(10)-3,6,10 Voltage Transformer

- ◊ The voltage transform is the type of cast resin insulation and full enclosed, used for electric energy metering, voltage control and relay protection in the power systems of rated voltage 3kV, 6kV, and 10kV or below.
- ◊ Standard:IEC 61869-3

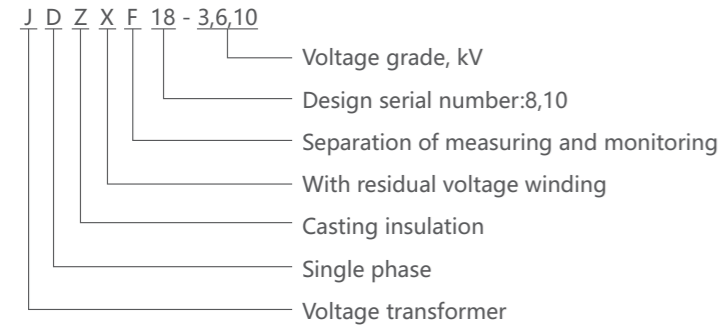
General



MV Transformer CT&PT

JDZ□□18(10)-3,6,10 Voltage Transformer

Selection



Technical data

1. Technical data form.
2. Partial discharge is in line with GB1207-2006 voltage transformer.
3. Anti-pollution degree: see fig.

Technical data

Type	Rated voltage ratio(V)	Rated output(VA)				Ultimate output(VA)	Rated insulation level(kV)
		0.2	0.5	1	6P		
JDZ18-3 RZL10	3000/100	15	30	60	500	3.6/25/40	
JDZ18-6 RZL10	6000/100					7.2/32/60	
JDZ18-10 RZL10	10000/100					12/42/75	
JDZF18-3	3000/100/100	10	10	30	2×250	3.6/25/40	
JDZF18-6	6000/100/100					7.2/32/60	
JDZF18-10	10000/100/100					12/42/75	
JDZX18-3 REL10	3000/√3/100/ √3/100/3	15	30	100	200	3.6/25/40	
JDZX18-6 REL10	6000/√3/100/ √3/100/3					7.2/32/60	
JDZX18-10 REL10	10000/√3/100/ √3/100/3					12/42/75	
JDZXF18-3	3000/√3/100/ √3/100/√3/100/3	10	10	60	200	3.6/25/40	
JDZXF18-6	6000/√3/100/ √3/100/√3/100/3					7.2/32/60	
JDZXF18-10	10000/√3/100/ √3/100/√3/100/3					12/42/75	

MV Transformer CT&PT

JDZ□□18(10)-3,6,10 Voltage Transformer

Overall and mounting dimensions(mm)

Chart 1 Outline and installation size of JDZ(F)18-6,10B

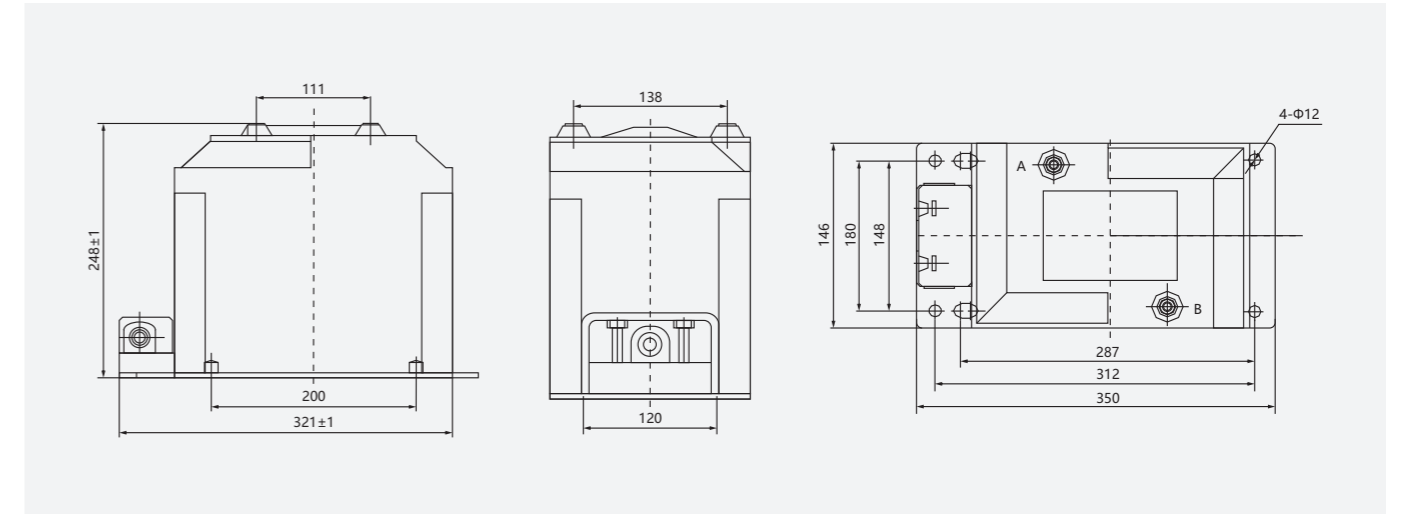


Chart 2 Outline and installation size of JDZ10-6,10(RZL)

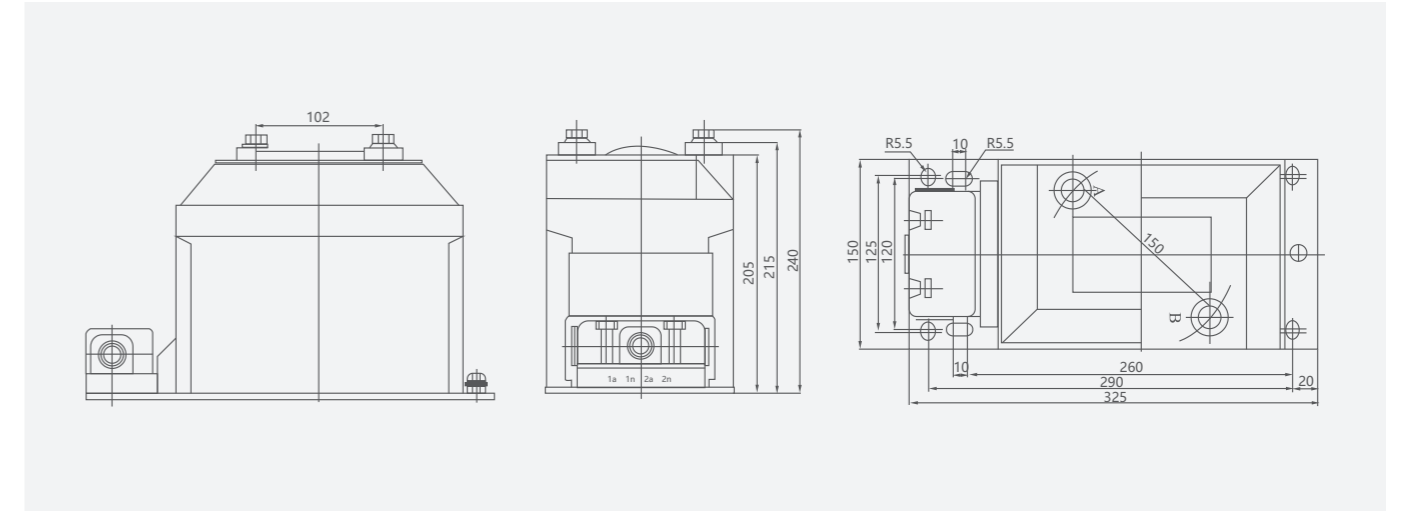
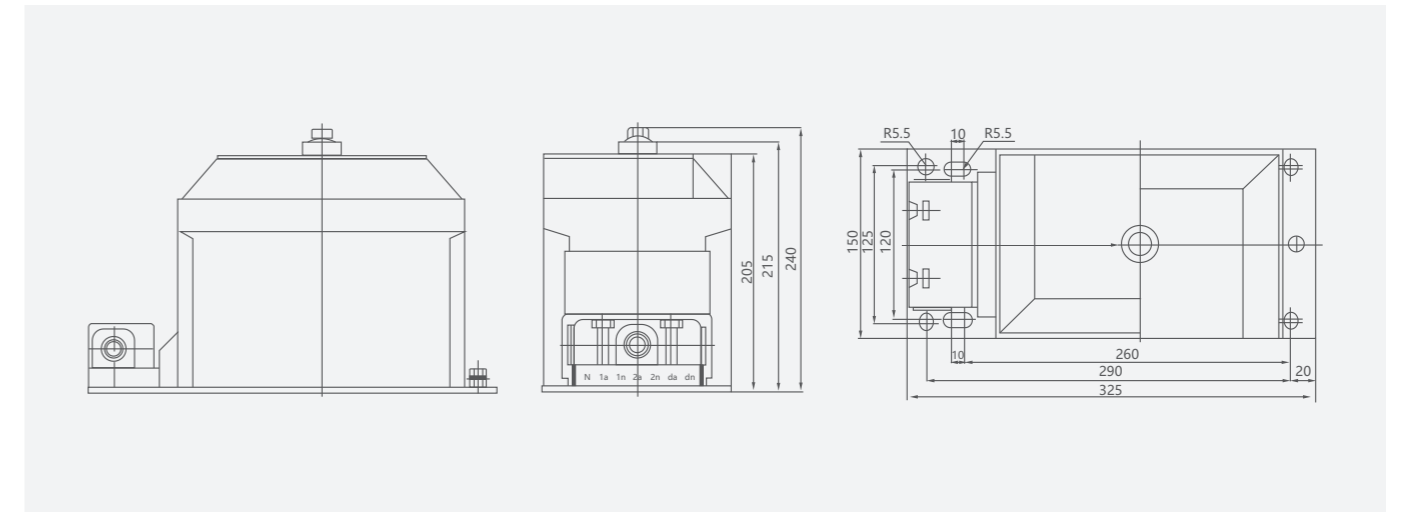


Chart 3 Outline and installation size of JDZX10-6,10(REL10)



MV Transformer CT&PT

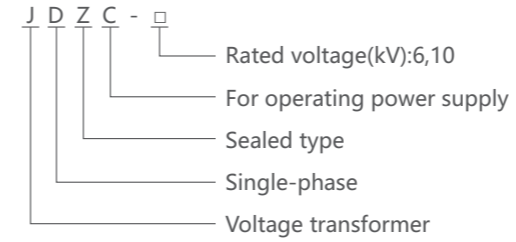
JDZC-6,10 Voltage Transformer

- JDZC-6,10 type voltage transformer is the indoor device of epoxy resin cast insulation, applied to electric measurement and electric protection in the electric system of rated frequency 50Hz and rated voltage 10kV.
- Standard: IEC 61869-3

General

MV Transformer CT&PT JDZC-6,10 Voltage Transformer

Selection



Structure

This transformer is the type of full insulation, its primary winding two terminals that are checked according to full insulation level, distributed on both sides of casting body top. It is mainly made up of three part; iron core, secondary winding and primary winding which are all encapsulated in the epoxy resin casting body, featured with stable electric performance and perfect damp proof property.

Operating conditions

- Equipment category: Indoor
- Environmental temperature: Max temperature +40°C, Min temperature -5°C
- There shall not be stains and corrosive or explosive mediums that seriously affect the insulation of transformer in the air.

Technical data

Type	Rated voltage ratio(V)	Rated secondary output(VA)		Accuracy classes combination	Rated insulation level(kV)
		1a1b(100V)	2a2b(220V)		
JDZC-10	60000/100/220	30	700	0.5/3	7.2/32/60 12/42/75
		50	800,1000		
		80	2000,3000		

MV Transformer CT&PT JDZC-6,10 Voltage Transformer

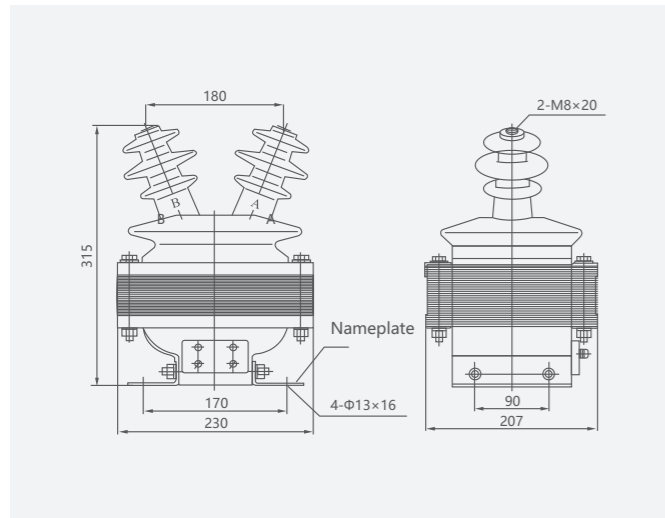
POWER TRANSMISSION AND
DISTRIBUTION PRODUCT SELECTION

PROFESSIONAL MANUFACTURER OF
HIGH AND LOW VOLTAGE PRODUCTS

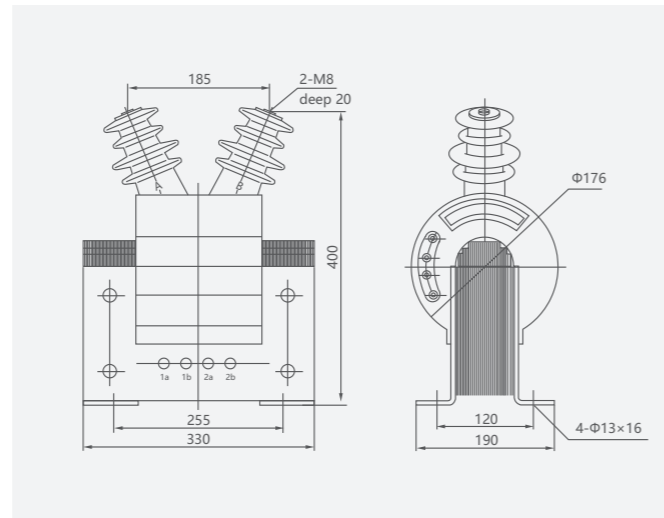


Overall and mounting dimensions(mm)

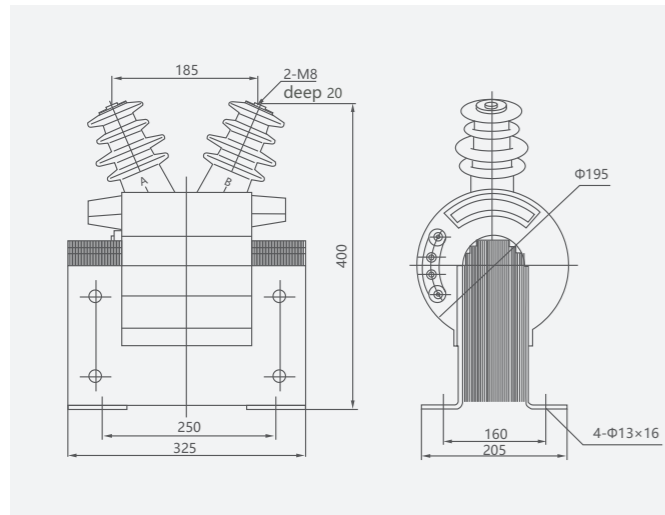
700VA



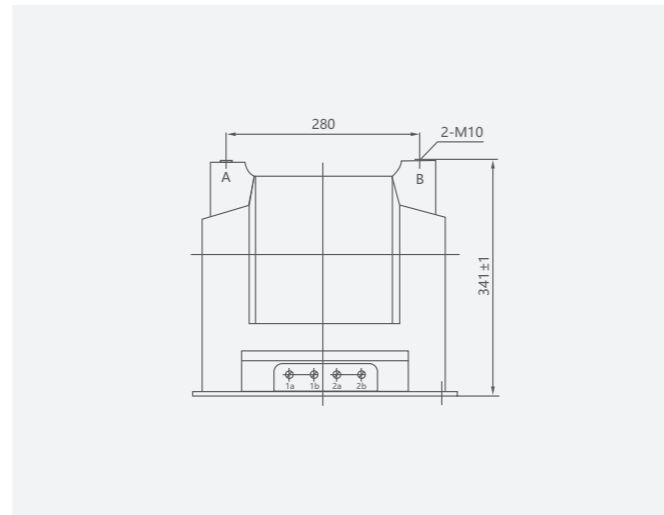
800-1000VA



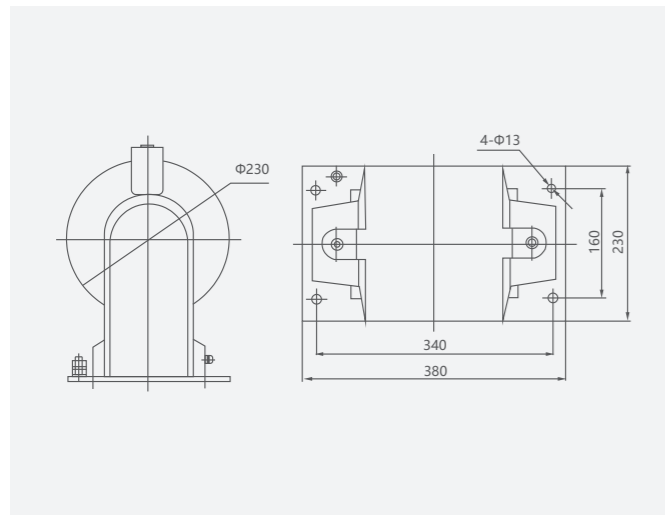
2000VA



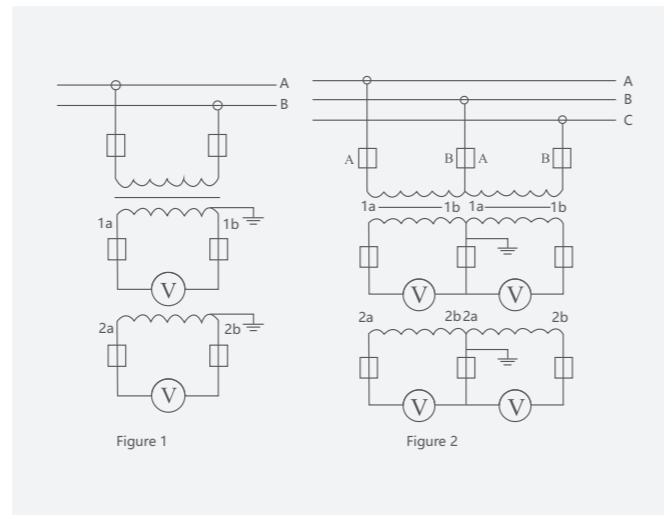
3000VA



3000VA



Wiring diagram

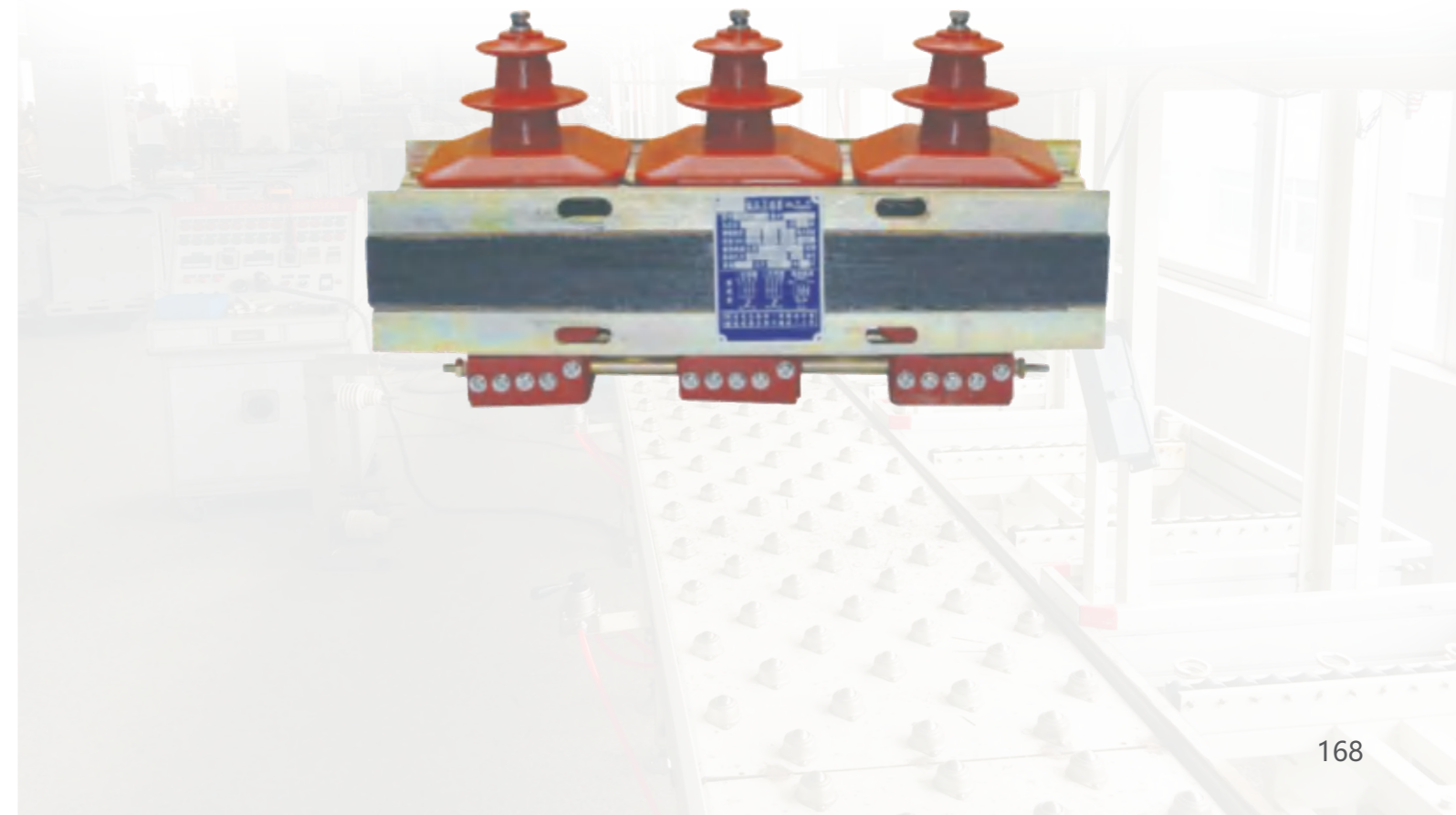


MV Transformer CT&PT

JSZW3-3, 6, 10 Semi-enclosure Three Phase Voltage Transformer

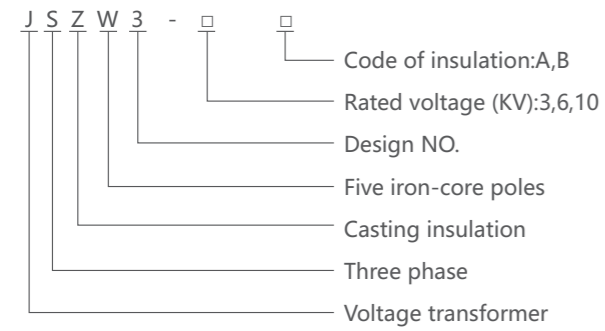
- ❖ This model voltage transformer is semi-casting type, with small size and good climate adaptability. The iron-core of the transformer applies core type side-iron structure, and made of high-quality silicon steel plate by cold rolling and exposing in the air, the primary winding, secondary winding and residual voltage winding wound onto the iron-core concentrically and cast with epoxy resin, the three phases cast and fixed together, the primary winding and terminal A is fully insulated and terminal N is not fully insulated. The wiring please refers to Diagram 1.
- ❖ It has two types: type A and type B according to insulation, type A is installed on the side and the insulation hole is on the iron-core clamp, type B has a base for installation.

General



MV Transformer CT&PT JSZW3-3, 6, 10 Semi-enclosure Three Phase Voltage Transformer

Selection

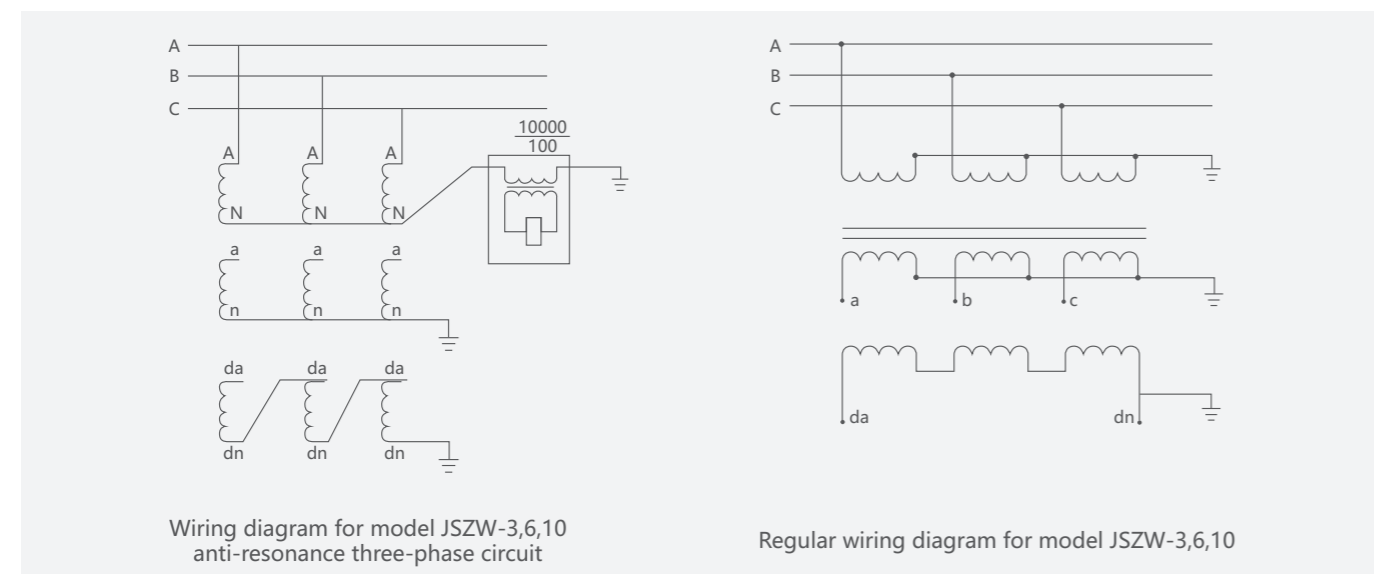


Technical data

- Standard: GB1207-2006 voltage transformer
- Technical parameter form
- The creepage of product surface comply with Grade II of pollution.
- Other technical parameter please refers to table below:

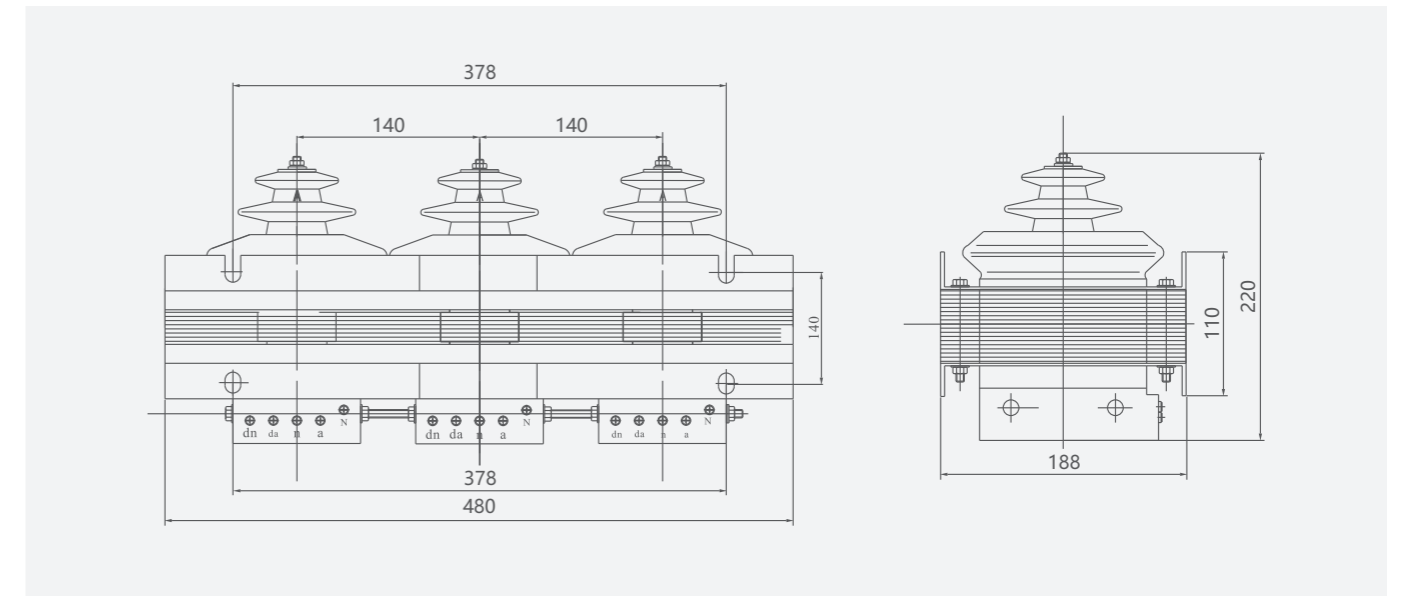
Type	Rated voltage ratio (V)	Accuracy class combination	Rated output (VA)					Ultimate output (VA)	Voltage withstand test (KV)	
			0.2	0.5	1	3	6		Inductive voltage withstand of primary winding	Voltage withstand of power Frequency of secondary winding
JSZW3-3	3000/√3/100/√3/100/3	0.5/6P		90	150	300	75	600	18	2
JSZW3-6	6000/√3/100/√3/100/3	1/6P		150	240	600	100	1000	23	2
JSZW3-10	10000/√3/100/√3/100/3	3/6P		150	240	600	100	1000	32	2

Overall and mounting dimensions(mm)



MV Transformer CT&PT JSZW3-3, 6, 10 Semi-enclosure Three Phase Voltage Transformer

JSZW-3,6,10KV



MV Fuse



POWER TRANSMISSION AND
DISTRIBUTION PRODUCT SELECTION

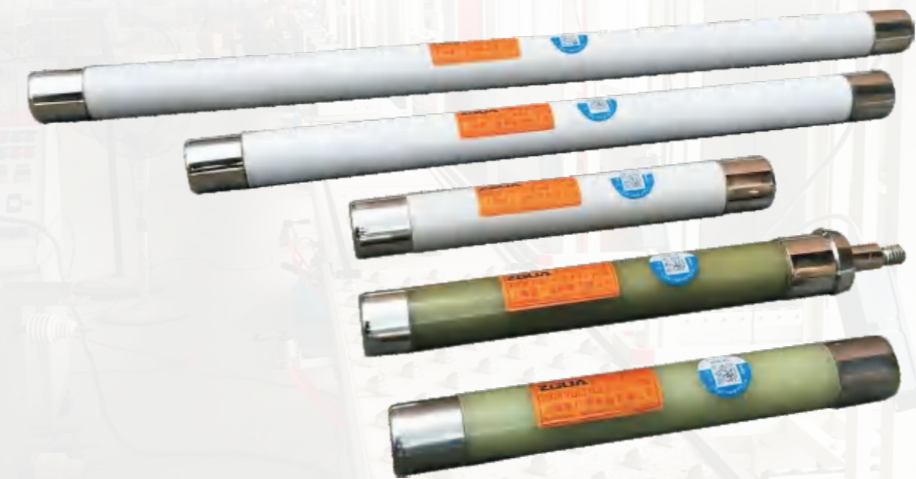
PROFESSIONAL MANUFACTURER OF
HIGH AND LOW VOLTAGE PRODUCTS

CNC
ELECTRIC

MV Fuse **XRNP** Current-limiting Fuses for Voltage Transformer Protection

- This product can be used in indoor system of AC50Hz and rated voltage of 3.6-40.5KV to protect the voltage mutual-inductor from over loading and circuit break.(tested by-inductor from overloading and circ-uit break.(Tested by National high-voltage quality Supervising and Testing Center,in accordance with IEC282-1).

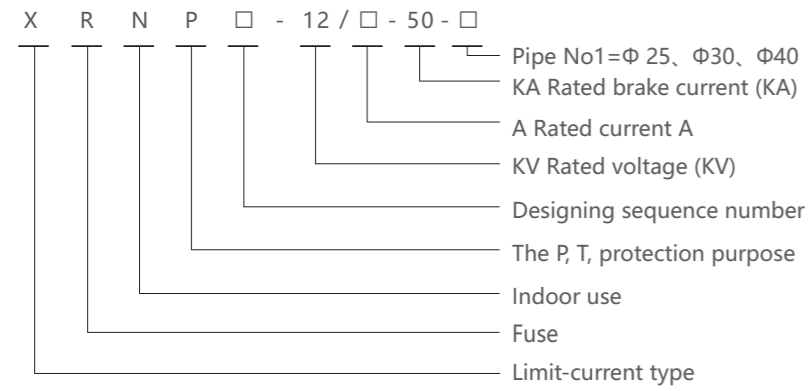
General



CNC
ELECTRIC

MV Fuse XRNP Current-limiting Fuses for Voltage Transformer Protection

Selection



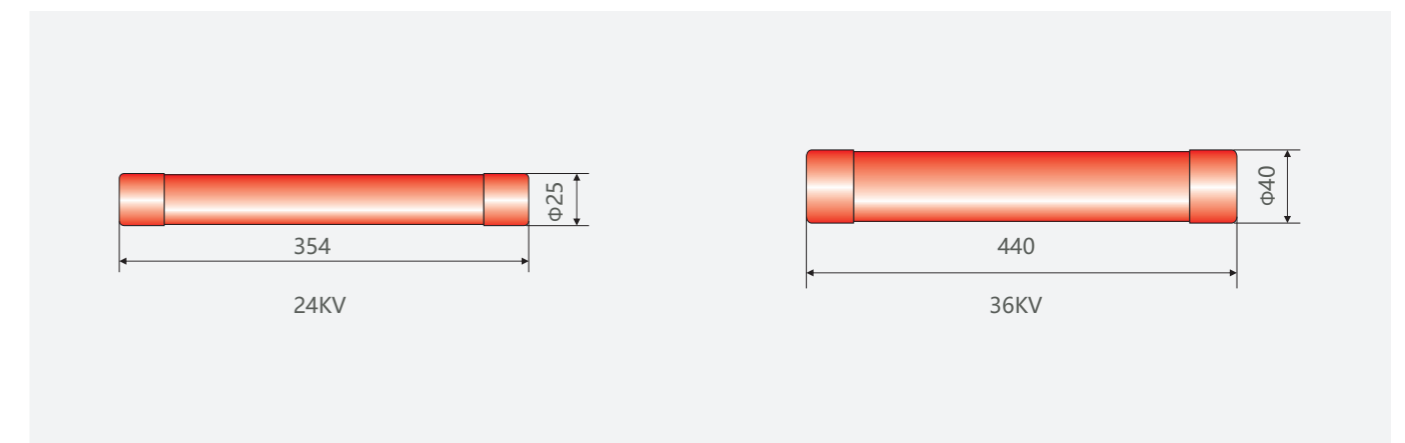
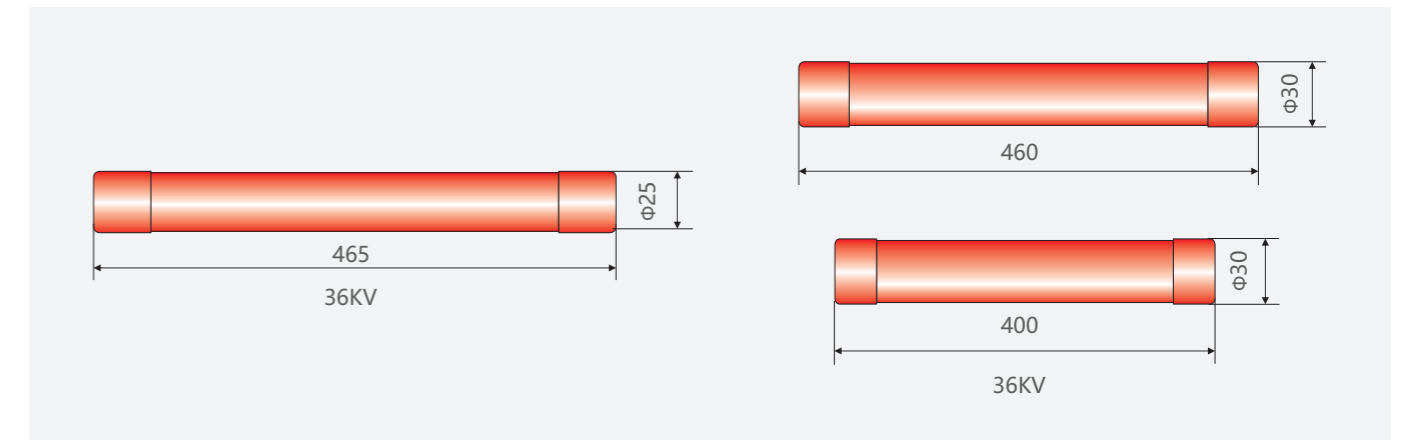
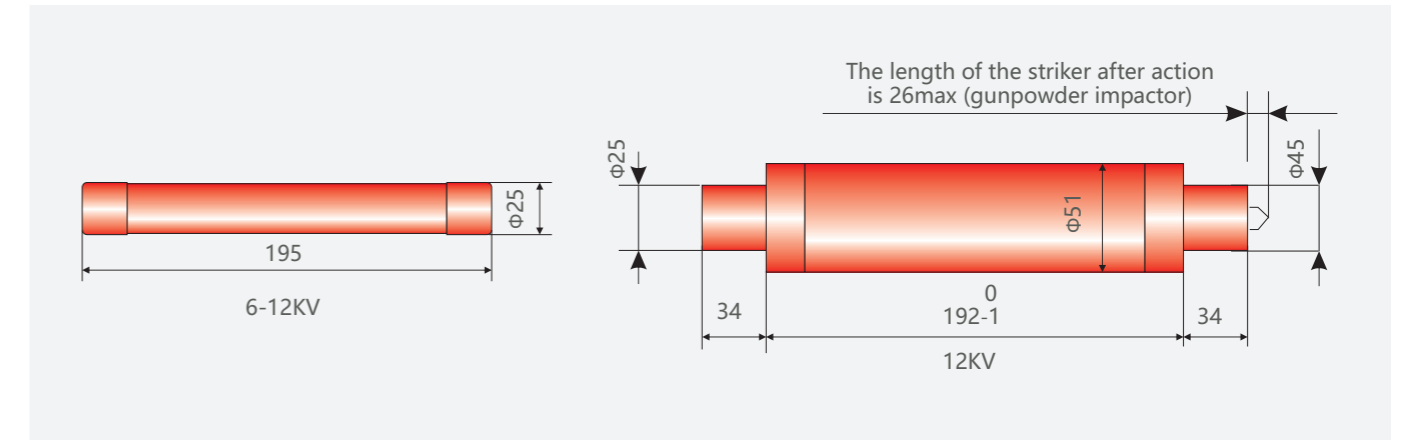
Technical data

Type	Rated voltage(Kv)	Rated current(A)	Rated break current(KA)	Dimensions
XRNP1- □/□-□-1	7.2 (3.6) 12	0.2、0.3、0.5、1、2、3.15	50	See figure 1
XRNP1- □/□-□-1	24	0.2、0.3、0.5、1、2、3.15	50	See figure 2
XRNP1- □/□-□-2	12	2、3.15	50	See figure 3
XRNP6- □/□-□-1	40.5	0.2、0.3、0.5、1、2、3.15	31.5	See figure 4(Φ25)
XRNP6- □/□-□-3		0.2、0.3、0.5、1、2、3.15、4、5		See figure 5 (Φ30)
XRNP6- □/□-□-4		0.2/0.5/1/2/3.15/5/6.3		See figure 6 (Φ41)

Note:
7.2KV and 12KV (Φ There are three non-standard wiring forms (25 pipe diameter), as shown in Figure 7

MV Fuse XRNP Current-limiting Fuses for Voltage Transformer Protection

Overall and mounting dimensions(mm)



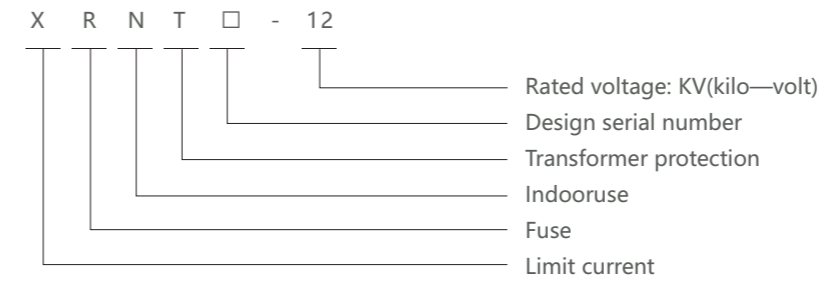
MV Fuse **XRNT** Current-limiting Fuses for Transformer Protection

It can be used in indoor system of 50HZ and rated voltage of 3.6KV, 7.2KV, 12KV, 24KV, 40.5KV; Used together with other switch facilities such as loading switches, vacuum contactors, it can protect electric transformers and other electric facilities against overloading or circuit break. It is also a necessary accessory for high-voltage switchbox, circular circuit cabinet, high / Low voltage top-loading transformer substation.

General

MV Fuse **XRNT** Current-limiting Fuses for Transformer Protection

Selection



Technical data

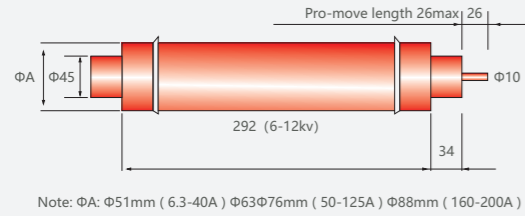
Type	Rated voltage	Rated current of the fuse (A)	Rated current of the fuselink (A)
XRNT-12	12	40	3.15, 6.3, 10, 16, 20, 25, 31.5, 40
XRNT-12	12	100	50, 63, 71, 80, 100, (125)
XRNT-12	12	125	125, 160, 200, 250
XRNT-24	24	200	3.15, 6.3, 10, 16, 20, 25, 31.5, 40, 50, 63, 80, 100, 125, 160, 200
XRNT--40.5	40.5	125	3.15, 6.3, 10, 16, 20, 25, 31.5, 40, 50, 63, 80, 100, 125



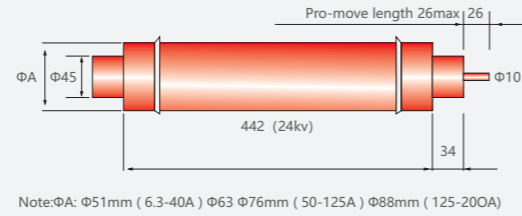
MV Fuse XRNT Current-limiting Fuses for Transformer Protection

Overall and mounting dimensions(mm)

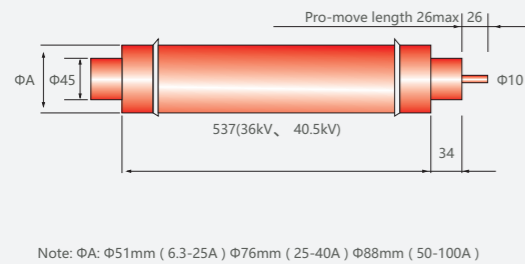
Chat1/a link XRNT-12Kv



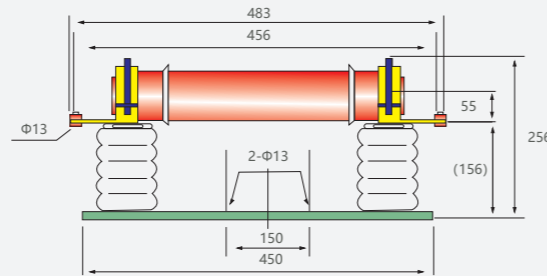
Chat2/a link XRNT□-24Kv



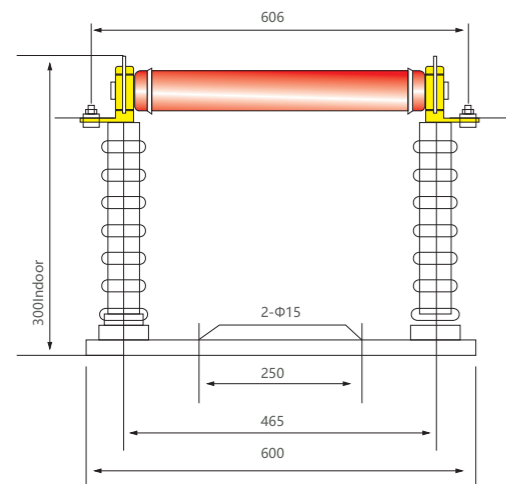
Chat3/a link XRNT□-40.5Kv



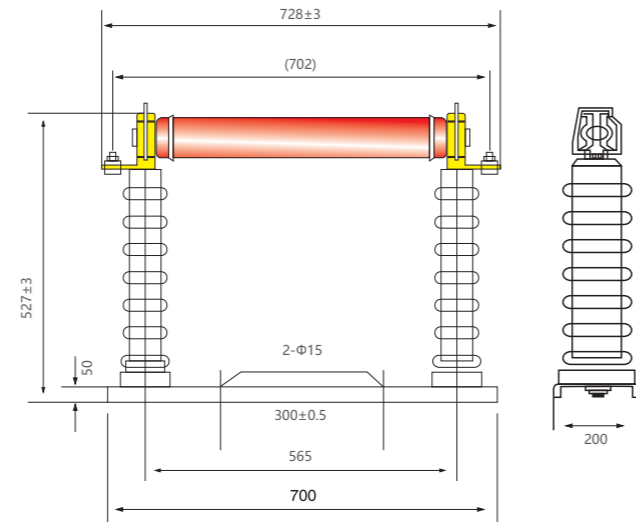
Chat4/b link(12Kv)



Chat5/Inserting type fuse
XRNT□-24Kv



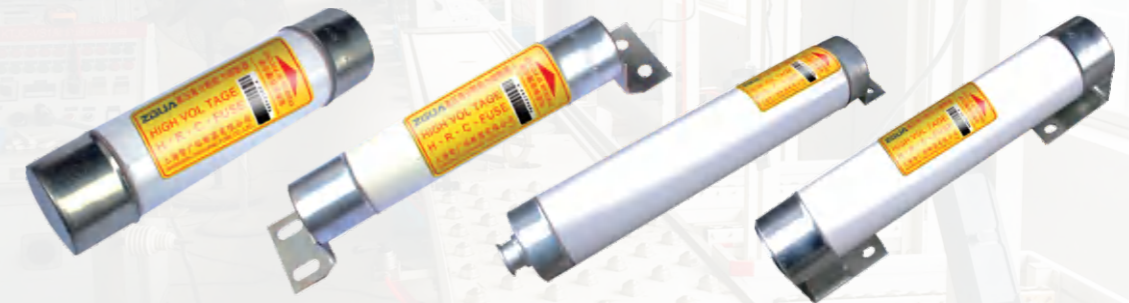
Chat6/Inserting type fuse
XRNT□-40.5Kv



MV Fuse XRNM1 Current-limiting fuses for motor protection

- The product can be used in indoor AC system of 50Hz and rated voltage 3.6kV and 7.2KV 12Kv. When used together with other protection facilities (such as switches and vacuum contactors), it works to protect high-voltage motor and other electric facilities from overloading and circuit break.

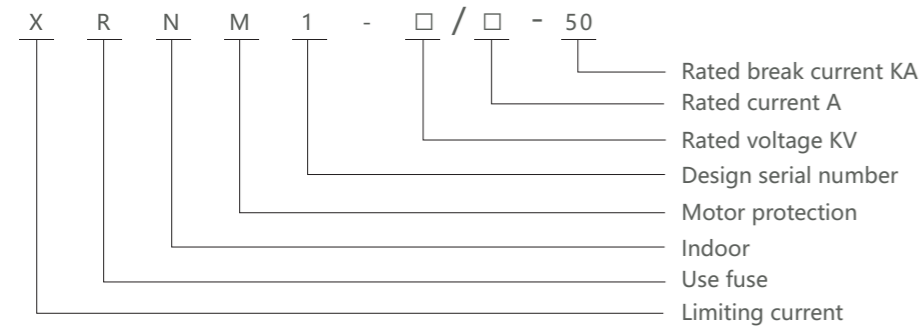
General



MV Fuse

XRNM1 Current-limiting fuses for motor protection

Selection



Technical data

	Rated voltage(Kv)	Rated break current KA	Rated current of the fuse (A)	Rated current of the fuse link (A)	Major dimensions			
					A	B	C	D
XRNM1-3.6	3.6	50	125	50,63,100,125	337 (390)	254 (312)	305 (340)	51
			200	125,160,200				76
			400	250,315,355,400				
XRNM1-7.2	7.2	50	160	25,31.5,40,50,63,80,100,125,160	486 (500)	403 (461)	454 (150)	76
	12		315	200,224,250,315				

Note:

- The above rated parameters for single pipe, the fuses can be parallel connected by on-site structure to get a high rated current.
- Sizes in the bracket are for inserting fuses.

MV Fuse

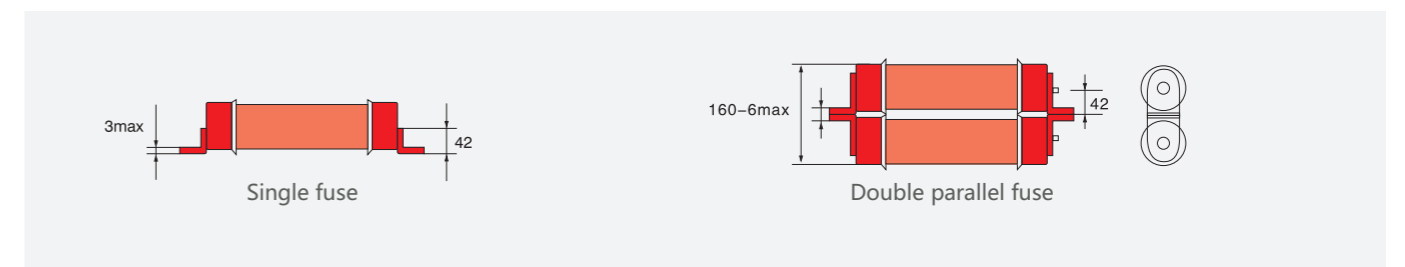
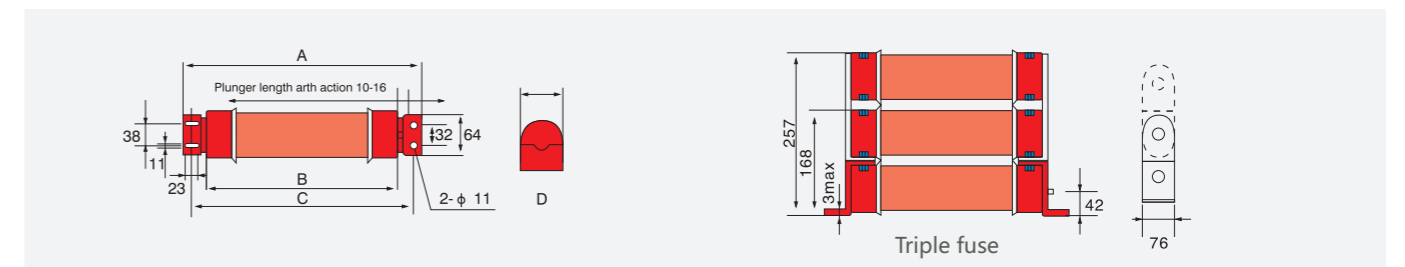
XRNM1 Current-limiting fuses for motor protection

Features

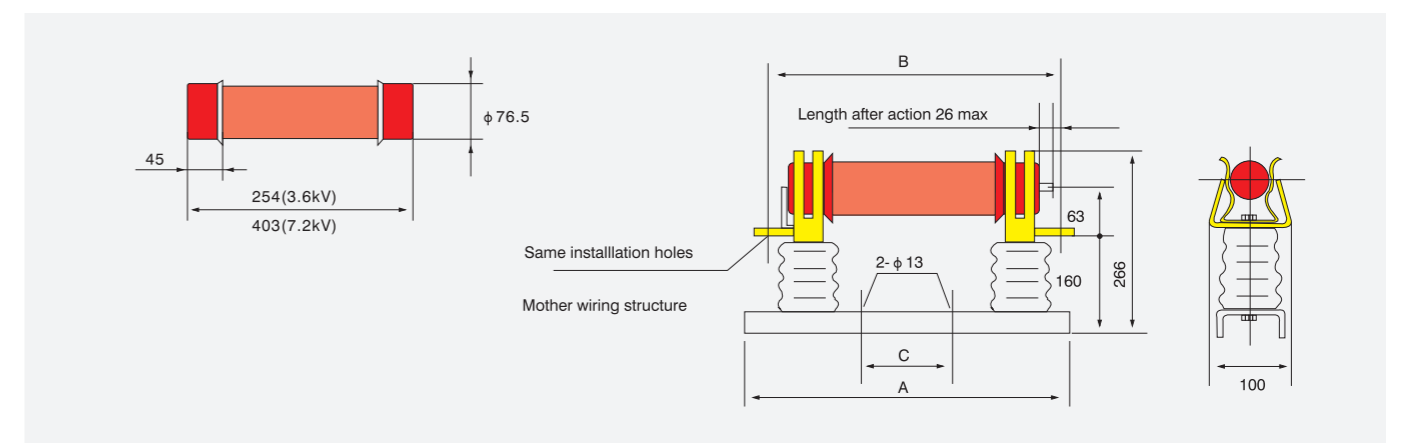
- In required working conditions, the fuse can break any fault current between the minimum break current 1.6-3 and the rated break current.
- See Chart 3 for time-current property. The section above the minimum break current is by dotted line.
- See Chart 4 for current limit property.
- See Chart 5 for I^2t property.

Overall and mounting dimensions(mm)

Chat1 Busbar fuse Installation Dimensions



Chat2 Inserting fuse Installation Dimensions



MV Fuses RN1 Indoor Current Limiting Fuse

- The product is used in overload or short-circuit protection for electric transformer. The current limiting means that the fuse will cut off the circuit before the short-circuit current reaches the peak value.

General

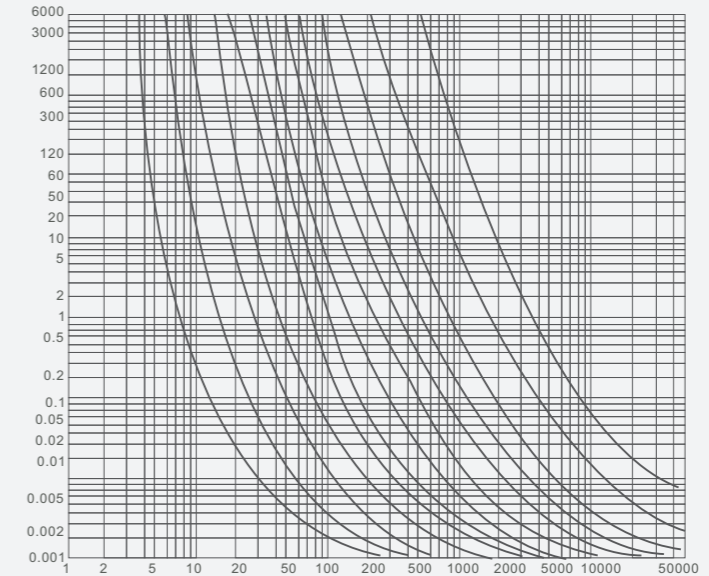


MV Fuses RN1 Indoor Current Limiting Fuse

Features

Current which passes the fuse when being 1.3 times of its specified electric current, Do not fusing for an hour; When the current through the fuse is 2 times of its specified electric current, fusing in an hour; Refer to its fusing feature curve in chart 1 when select the fuse.

Figure 1 RN1/RN3 "An-second" characteristic curve



Technical data

	3					6					10					35				
Rated current (A)	20	100	200	300	400	200	75	100	200	300	20	50	75	100	200	7.5	10	20	30	40
Max breaking current KV effective value	40					1.3					1.3					1.3				
The minimum breaking current Express with specified electric current multiple	nuprovide					1.3					nuprovide					1.3				
Three-phase maximum cut-off capacity (MVA)	8	8.9	10.8	15.7	15.7	8.5	9.6	13.6	13.6	17	10	11.5	14.5	21	21	10	20	27	27	27

Structure of fuse link

The fuse pipe is the main part of fuse, it is made by installing the fuse wire in the porcelain pipe, filling the quartz sand in the porcelain pipe and sealing to ends of pipe. For the fuse pipe with rated current below 7.5A and 35V rated voltage, its fuse wire is rolled on the special porcelain core, referring to chart 2.a. For the fuse pipe with rated current above 7.5A, its fuse wire is hang in the porcelain pipe, referring to the chart.

MV Fuses

RN1 Indoor Current Limiting Fuse

Overall and mounting dimensions(mm)

Chart 2-the section of style fuse pipe

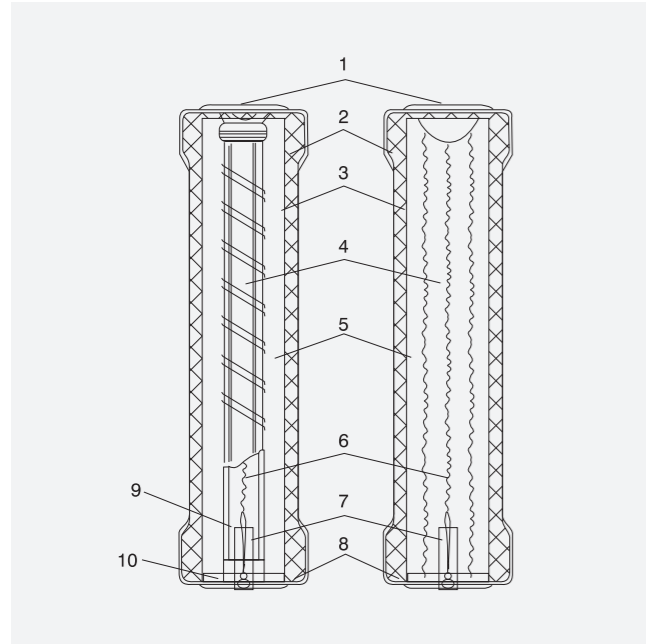
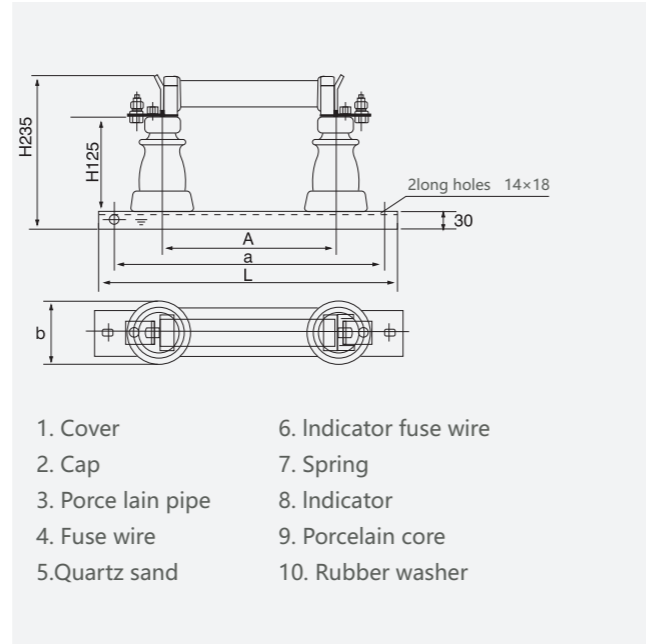


Chart 3-the section of style fuse pipe



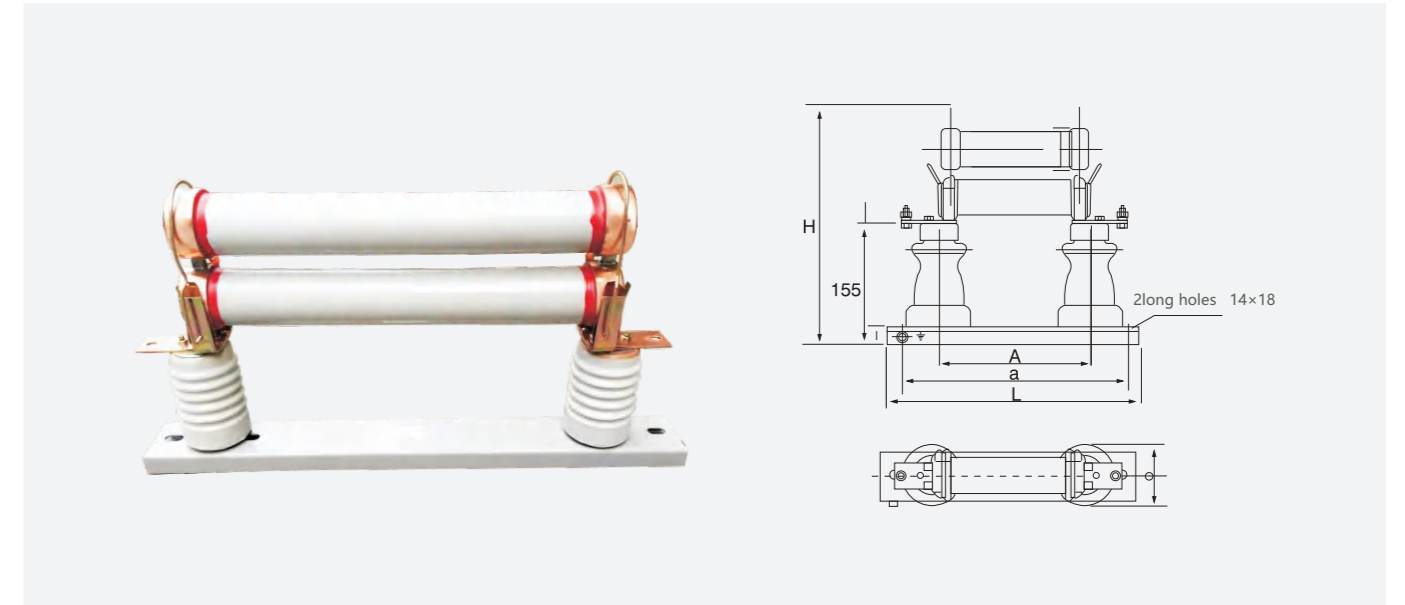
Technical data

Product type	Product code number	Diagram number	Rated voltage	Fuse current A	Main size					
					A	a	L	H1	H	b
RN1-6/2	RN3	Figure 3	6	2	310	500	550	125	235	108
RN1-6/3	RN3			3						
RN1-6/5	RN3			5						
RN1-6/7.5	RN3			7.5						
RN1-6/10	RN3			10						
RN1-6/15	RN3			15						
RN1-6/20	RN3			20						
RN1-10/2	RN3		10	2	410	600	650			
RN1-10/3	RN3			3						
RN1-10/5	RN3			5						
RN1-10/7.5	RN3			7.5						
RN1-10/10	RN3			10						
RN1-10/15	RN3			15						
RN1-10/20	RN3			20						
RN1-10/25	RN3	25								
RN1-10/30	RN3	30								

MV Fuses

RN1 Indoor Current Limiting Fuse

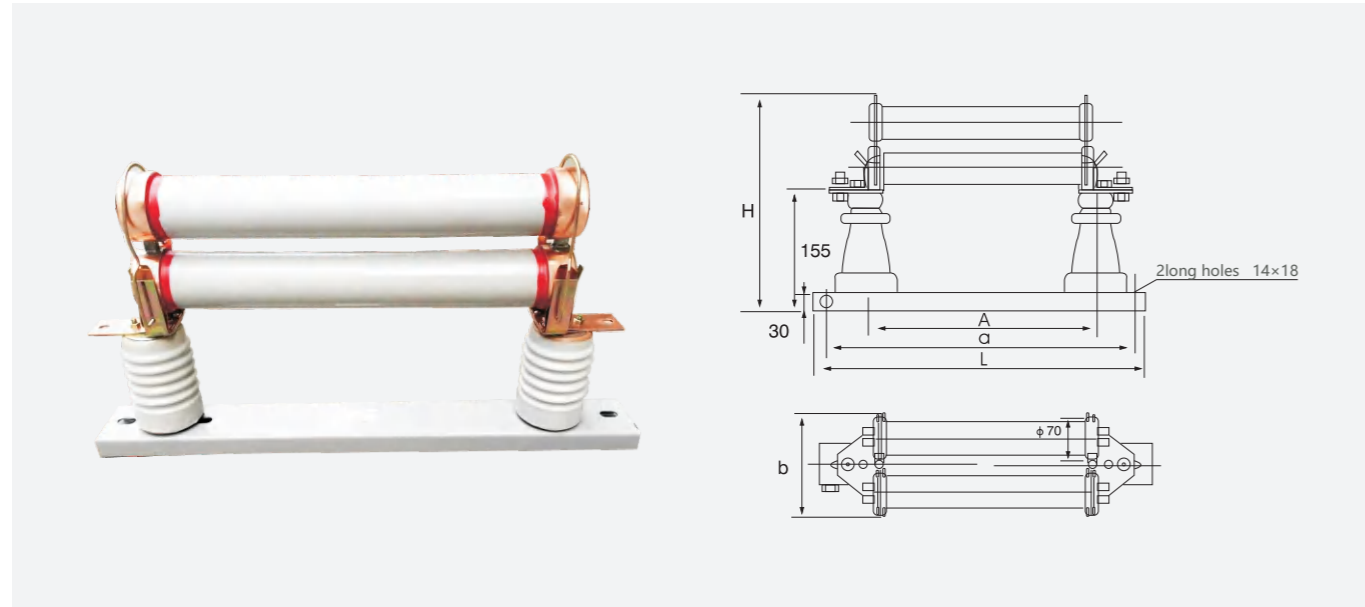
Figure 6



Product type	Product code number	Diagram number	Rated voltage	Fuse current A	Main size				
					A	a	L	H	b
RN1-3/150	RN3	Figure 6	3	150	270	400	450	350	108
RN1-3/200	RN3			200					
RN1-6/100	RN3		6	100	360	500	550		
RN1-6/150	RN3			150					
RN1-6/200	RN3			200					
RN1-10/75	RN3		10	75	460	600	650		
RN1-10/100	RN3	100							

MV Fuses
RN1 Indoor Current Limiting Fuse

Figure 7

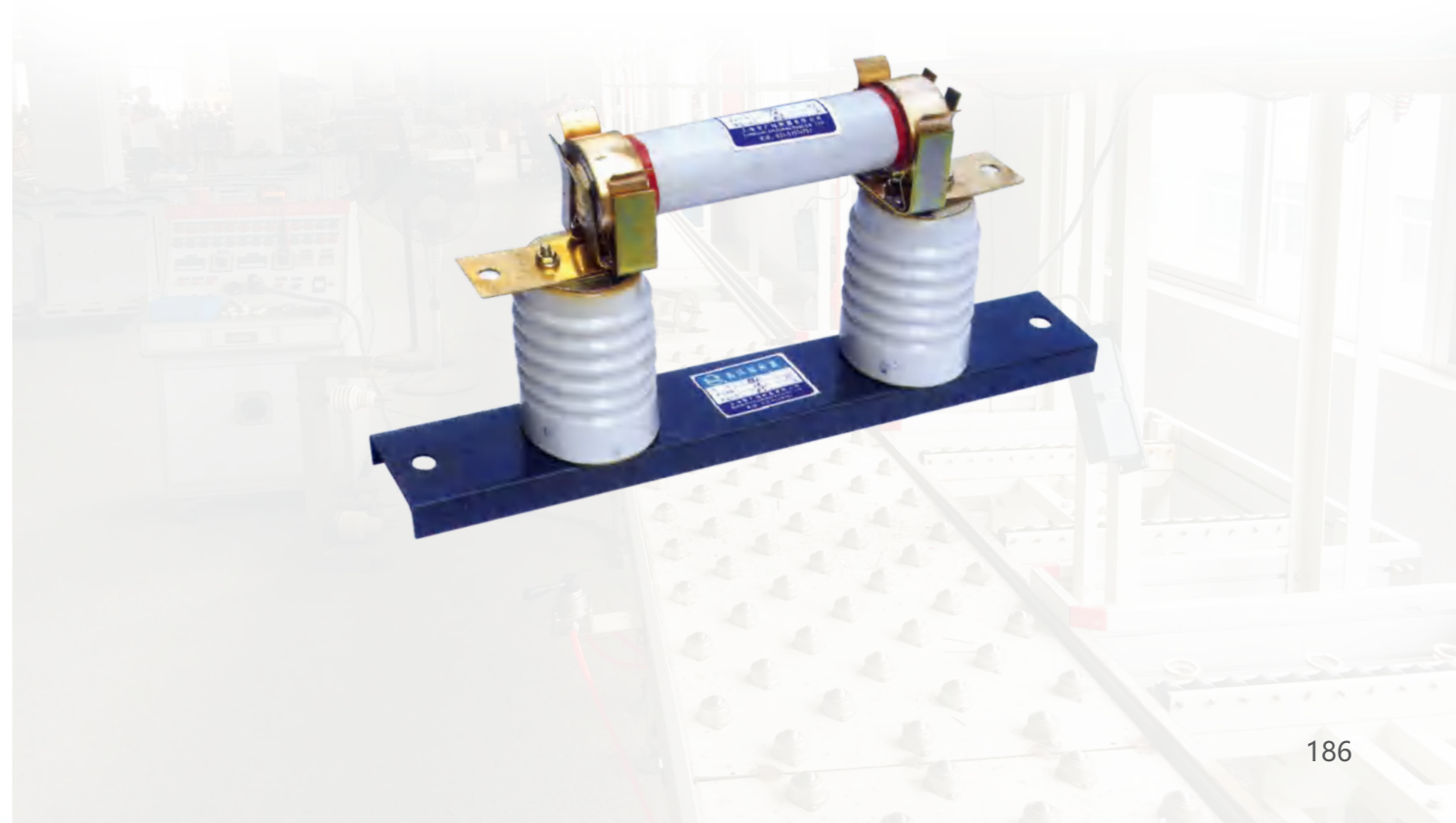


MV Fuses
RN2 Indoor Current Limiting Fuse

- ▣ The product is used in overload or short-circuit protection for instrument transformer. At the time of holding up by restrain circuit current way to get minimum from carry on instantaneous to turn on and break, it should be within the range of 0.6-1.8A to fuse the electric current in one minute.

General

Product type	Product code number	Diagram number	Rated voltage	Fuse current A	Main size			
					A	a	L	b
RN1-10/80	RN3	Figure 7	10	80	460	600	650	108
RN1-10/100	RN3		10	100				
RN1-10/150	RN3		10	150				
RN1-10/200	RN3		10	200				

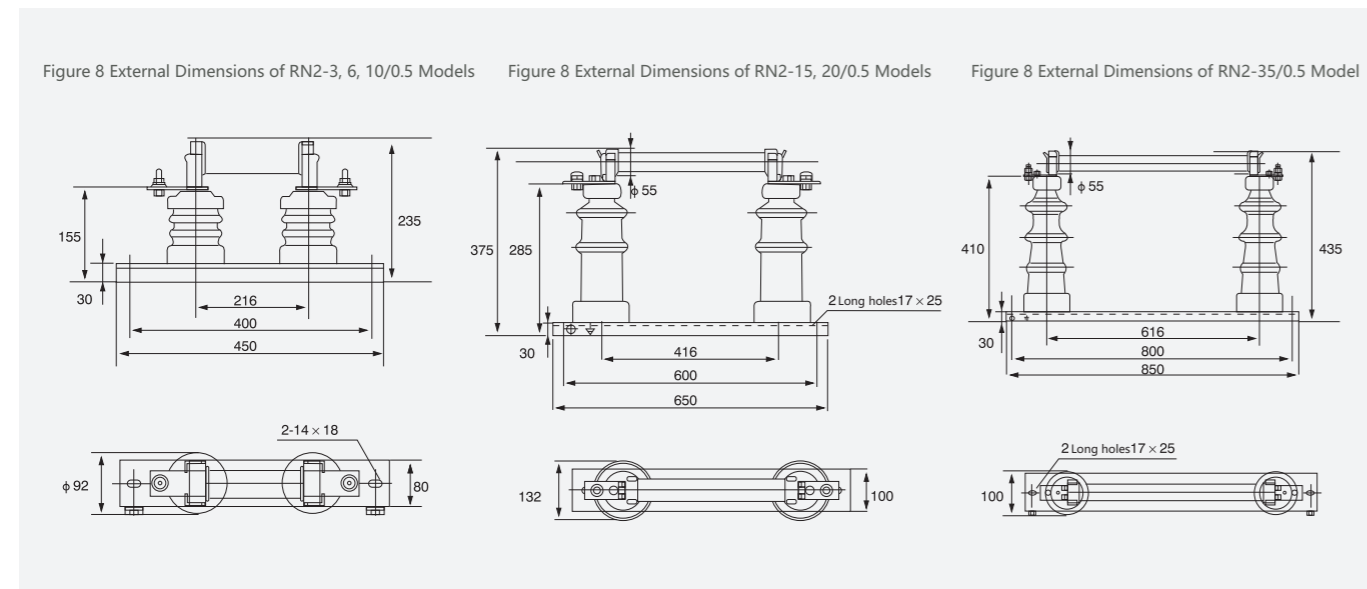


MV Fuses RN2 Indoor Current Limiting Fuse

Technical data

Product type	RN2-3、 6、 10			RN2-15、 20		RN2-35
Rated voltage	3	6	10	15	20	35
KV Fuse current A	0.5			0.5		0.5
Capacity of largest break of three-phase MVA	500	1000		1000		1000
Max break curent KA effective value KA	500	85	50	40	30	17
Overvoltage multiple	Do not exceed voltage of 2.5 times of rating					
Resistance of the fuse pipe (Ω)	93 \pm 7			200 \pm 10		315 \pm 14
Weight Kg	5.6			12.2		15.6
Fuse weight Kg	0.9			1.6		2.5

Overall and mounting dimensions(mm)



MV Fuses PRW Drop-out Fuse

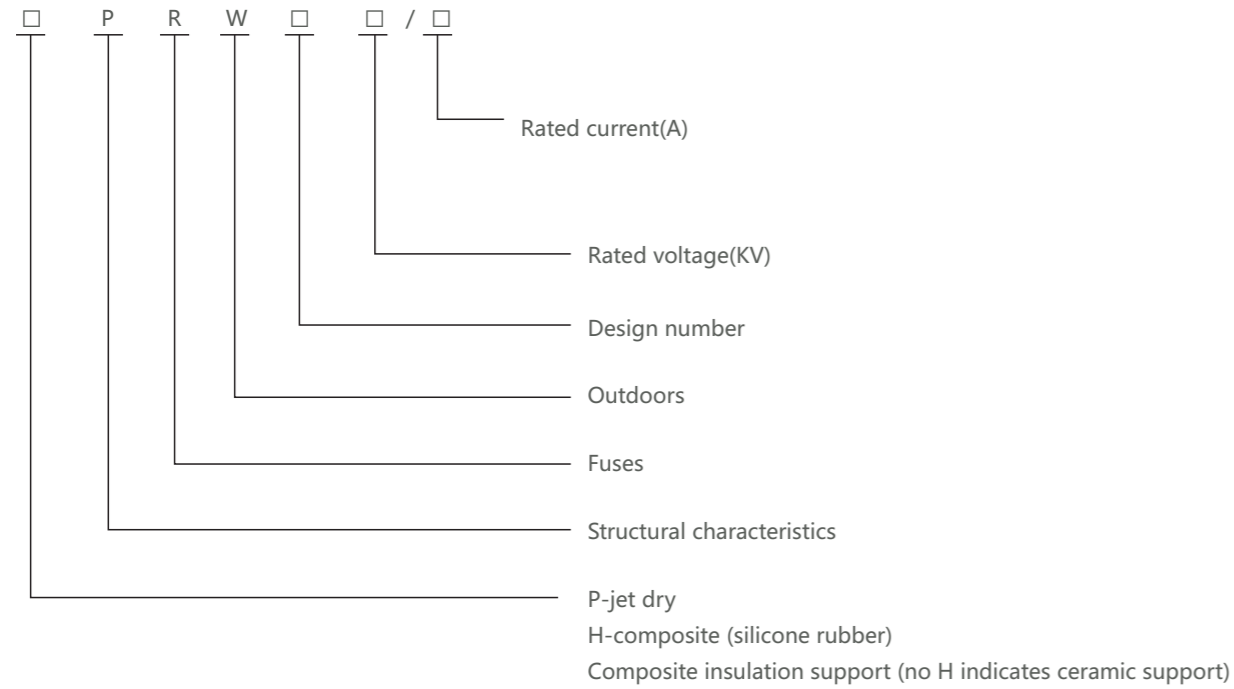
- Outdoor drop type fuses are suitable for 35kV and below voltage and frequency 50Hz power systems, used for overload and short circuit protection of transmission lines and power transformers, and for breaking and closing rated load current. The drop type fuse consists of an insulation bracket and a fuse tube, with static contacts installed at both ends of the insulation bracket and dynamic contacts installed at both ends of the fuse tube. The fuse tube consists of an inner arc extinguishing tube and an outer phenolic paper tube or epoxy glass cloth tube.

General



MV Fuses PRW□ Drop-out Fuse

Selection



Operating conditions

- Suitable for environments with an upper limit of 40 °C and a lower limit of -30 °C.
- Altitude not exceeding 1000m, wind speed not exceeding 35m/s
- Fuses are not suitable for the following locations
 - Places with fuel or explosion hazards.
 - Places with severe vibration or impact.
 - Areas with abnormal electrochemical gas effects and severe air pollution and smoke

MV Fuses PRW□ Drop-out Fuse

Technical data parameter of porcelain housed fuse

Type	Rated voltage (kV)	Rated current (A)	Breaking current (A)	Impulse voltage (kV)	Power frequency withstand voltage (kV)	Creepage distance (mm)	Weight (kg)	Dimension (cm)
PRW1-11	11	100	10000	110	40	250	7.2	38.5×34.5×10.5
	11	200	12000	110	40	250	7.4	38.5×34.5×10.5
PRW1-15	15	100	10000	125	45	350	10	50×36×11
	15	200	12000	125	45	350	10	50×36×11
PRW1-24	24	100	10000	150	65	540	12	51×35×14
	24	200	12000	150	65	540	12	51×35×14
PRW1-27	27	100	10000	170	70	700	15	51×38×14.5
	27	200	12000	170	70	700	15	51×38×14.5
PRW1-33	33	100	10000	170	80	700	15	51×38×14.5
	33	200	12000	170	80	700	15	51×38×14.5
PRW1-36	36	100	10000	170	80	720	16	66×38×14.5
	36	200	12000	170	80	720	16	66×38×14.5
PRW2-11	11	100	10000	110	40	250	7.2	38.5×34.5×10.5
	11	200	12000	110	40	250	7.4	38.5×34.5×10.5
PRW2-15	15	100	10000	125	45	350	10	50×36×11
	15	200	12000	125	45	350	10	50×36×11
PRW2-24	24	100	10000	150	65	540	12	51×35×14
	24	200	12000	150	65	540	12	51×35×14
PRW2-27	27	100	10000	170	70	700	15	51×38×14.5
	27	200	12000	170	70	700	15	51×38×14.5
PRW2-33	33	100	10000	170	80	700	15	51×38×14.5
	33	200	12000	170	80	700	15	51×38×14.5
PRW2-36	36	100	10000	170	80	720	16	66×38×14.5
	36	200	12000	170	80	720	16	66×38×14.5

MV Fuses
PRW Drop-out Fuse

Main technical parameter of porcelain housed fuse

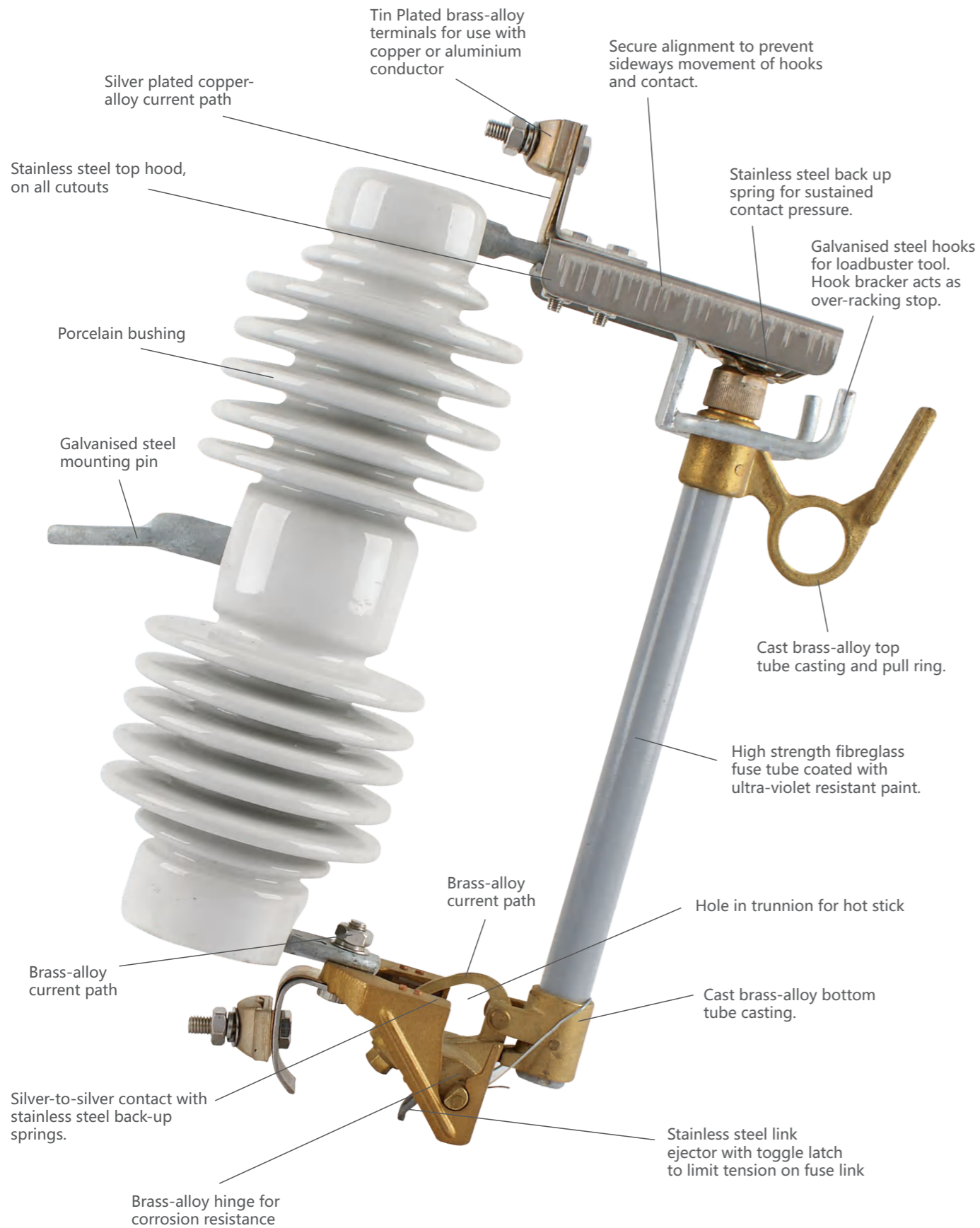
Type	Rated voltage (kV)	Rated current (A)	Breaking current (A)	Impulse voltage (kV)	Power frequency withstand voltage (kV)	Creepage distance (mm)	Weight (kg)	Dimension (cm)
PRW10-11	11	100	10000	110	40	250	7.4	36×34.5×11
	11	200	12000	110	40	250	7.4	36×34.5×11
PRW10-15	15	100	10000	125	45	350	10.0	48×34.5×11
	15	200	12000	125	45	350	10.5	48×34.5×11
PRW10-24	24	100	10000	150	65	540	12.0	49×38×14.5
	24	200	12000	150	65	540	12.5	49×38×14.5
PRW10-27	27	100	10000	170	70	700	15.0	51×38×14.5
	27	200	12000	170	70	700	15.0	51×38×14.5
PRW10-33	33	100	10000	170	70	700	15.0	58×38×14.5
	33	200	12000	170	70	700	15.5	58×38×14.5
PRW10-36	36	100	10000	170	80	720	16.0	65×38×14.5
	36	200	12000	170	80	720	16.5	65×38×14.5
HPRW10-11	11	100	10000	110	40	250	7.4	36×34.5×11
	11	200	12000	110	40	250	7.4	36×34.5×11
HPRW10-15	15	100	10000	125	45	350	10.0	48×34.5×11
	15	200	12000	125	45	350	10.5	48×34.5×11
HPRW10-24	24	100	10000	150	65	540	12.0	49×38×14.5
	24	200	12000	150	65	540	12.5	49×38×14.5
HPRW10-27	27	100	10000	170	70	700	15.0	51×38×14.5
	27	200	12000	170	70	700	15.0	51×38×14.5
HPRW10-33	33	100	10000	170	70	700	15.0	58×38×14.5
	33	200	12000	170	70	700	15.5	58×38×14.5
HPRW10-36	36	100	10000	170	80	720	16.0	65×38×14.5
	36	200	12000	170	80	720	16.5	65×38×14.5

MV Fuses
PRW Drop-out Fuse

Main technical parameter of polymer housed fuse

Type	Rated voltage (kV)	Rated current (A)	Breaking current (A)	Impulse voltage (kV)	Power frequency withstand voltage (kV)	Creepage distance (mm)	Weight (kg)	Dimension (cm)
HPRW1-11	11	100	10000	110	40	250	6.5	38.5×34.5×10.5
	11	200	12000	110	40	250	6.8	38.5×34.5×10.5
HPRW1-15	15	100	10000	150	45	390	7.2	50×36×10.5
	15	200	12000	150	45	390	7.4	50×36×10.5
HPRW1-24	24	100	10000	150	65	560	8.0	49×36×14
	24	200	12000	150	65	560	8.5	49×36×14
HPRW1-27	27	100	10000	170	70	740	9.0	51×36×14
	27	200	12000	170	70	740	9.5	51×36×14
HPRW1-33	33	100	10000	170	80	740	10.0	57×36×14
	33	200	12000	170	80	740	10.5	57×36×14
HPRW1-36	36	100	10000	180	80	820	12.0	66×36×14
	36	200	12000	180	80	820	12.5	66×36×14
HPRW2-11	11	100	10000	110	40	250	6.5	38.5×34.5×10.5
	11	200	12000	110	40	250	6.8	38.5×34.5×10.5
HPRW2-15	15	100	10000	150	45	390	7.2	50×36×10.5
	15	200	12000	150	45	390	7.4	50×36×10.5
HPRW2-24	24	100	10000	150	65	560	8.0	49×36×14
	24	200	12000	150	65	560	8.5	49×36×14
HPRW2-27	27	100	10000	170	70	740	9.0	51×36×14
	27	200	12000	170	70	740	9.5	51×36×14
HPRW2-33	33	100	10000	170	80	740	10.0	57×36×14
	33	200	12000	170	80	740	10.5	57×36×14
HPRW2-36	36	100	10000	180	80	820	12.0	66×36×14
	36	200	12000	180	80	820	12.5	66×36×14

MV Fuses
PRW Drop-out Fuse



MV Fuses
PRW Drop-out Fuse



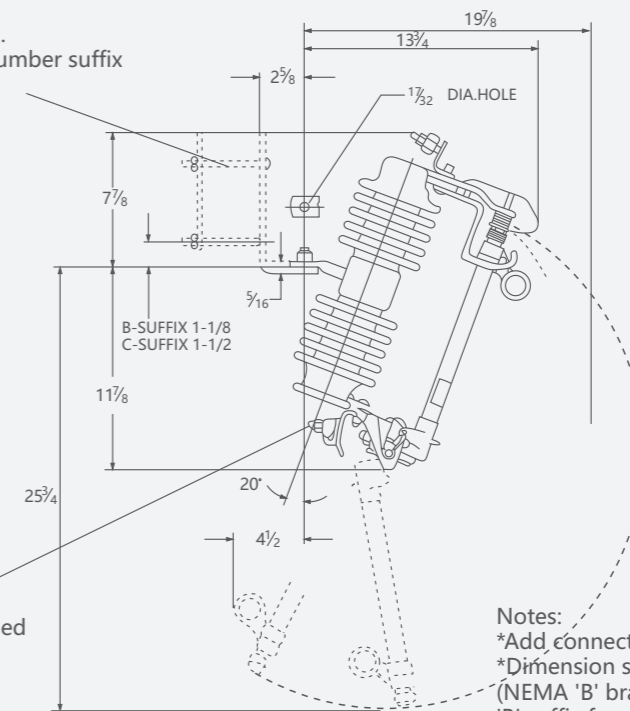
Mechanical assist

Fuse holder is available with a torsional spring on trunnion to aid drop out operation in corrosive environments.

Large nut to fasten fuselink without breaking strands

Overall and mounting dimensions(mm)

Mounting bracket. Adjustable
 For 3" x4" to 4" x5" cross arm.
 Furnished only when catalogue number suffix "B" or "C" is specified



Optional parallel groove connector shown furnished only when catalogue number Suffix "D" is specified

MV Fuses

Fuse Link

"KB,KU,Ks" type fuses belong to "K" and "T" type fuse. It has general type, universal type and screw type available according to IEC282 standard. The product is the drop-off type fuse of 11-36KV grade.

General



MV Fuses Fuse Link

Technical data

Rated Current (A)	Dimension(mm)					Quantity/ GAOCI
	A	B	C	D	F	
1(to)25	12.5±0.2	19.0±0.2	Note 1	2.0	6.5	500
30(to)40	12.5±0.2	19.0±0.2	Note 1	3.0	8.0	500
50(to)100	19.0±0.3	Not applicable	Note 1	5.0	10.0	250
140(to)200	19.0±0.3	Not applicable	Note 1	7.0	12.0	150

Overall and mounting dimensions(mm)

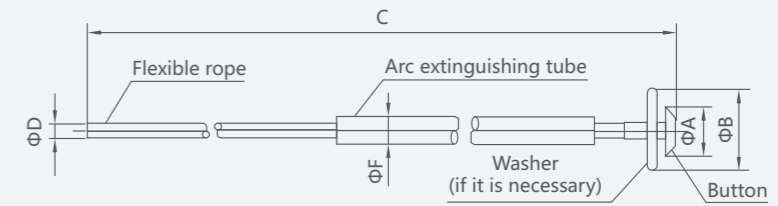
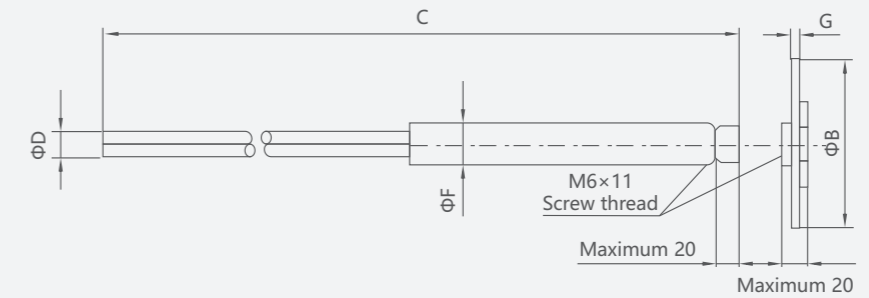


Fig. B. Ta button type



Surge Arrester



POWER TRANSMISSION AND
DISTRIBUTION PRODUCT SELECTION

PROFESSIONAL MANUFACTURER OF
HIGH AND LOW VOLTAGE PRODUCTS

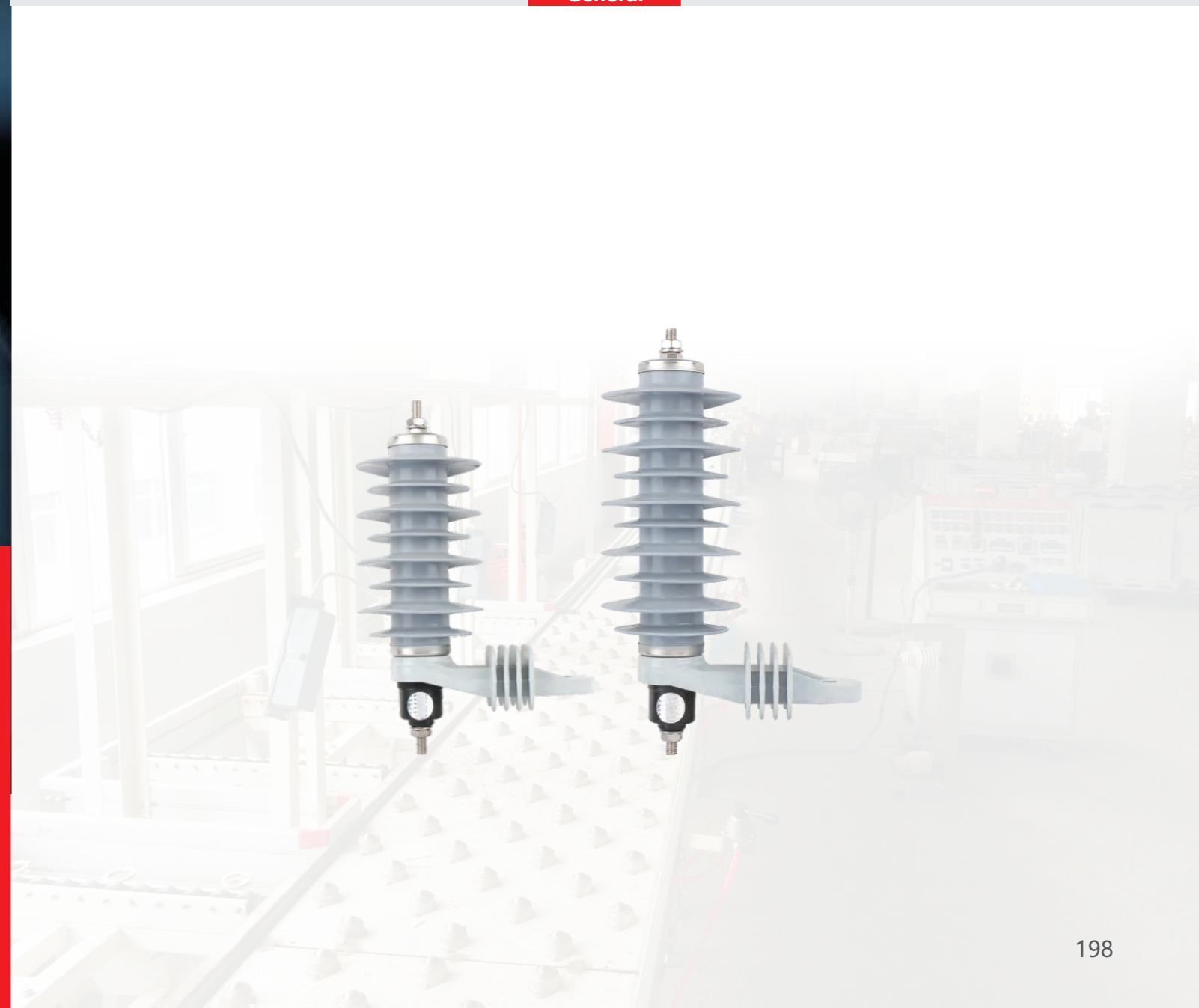
CNC
ELECTRIC

Surge Arrester

Zinc Oxide Arrester

- ◊ The zinc oxide arrester is the most advanced over-voltage protector in the world; Due to make the resistor disc of core component mainly adopt zinc oxide arrester. Compared with the conventional silicon carbide arrester, this prescription of the product improves greatly the volt-Ampere characteristics of the resistor disc and increased through-current capability at over-voltage so as to bring a radical change for the characteristics of the arresters.
- ◊ Under the circumstance of normal operating voltage, the current through the arrester is just on microampere degree, when suffered from over-voltage, the arrester's excellent nonlinear characteristics will make the current through the arrester increase to several thousand amperes, while the arrester will be under the circulating state and release over-voltage energy so as to protect the power transmission equipments against the damage caused by the over-voltage.

General



CNC
ELECTRIC

Surge Arrester Zinc Oxide Arrester

Operating conditions

1. The ambient air temperatures is no higher than +40°C, no lower than -40°C ;
2. The altitude above sea level dose not exceed 1000-2000m(the plateau ares should be indicated when ordering);
3. AC system frequency is 50Hz or 60Hz;
4. The power frequency voltage applied to the arrester for a long time does not exceed the continuous working voltage of the arrester;
5. Maximum wind speed does not exceed 35m/s;
6. The earthquake intensity does not exceed 7 degrees;
7. The filthy area should be given clear indication.

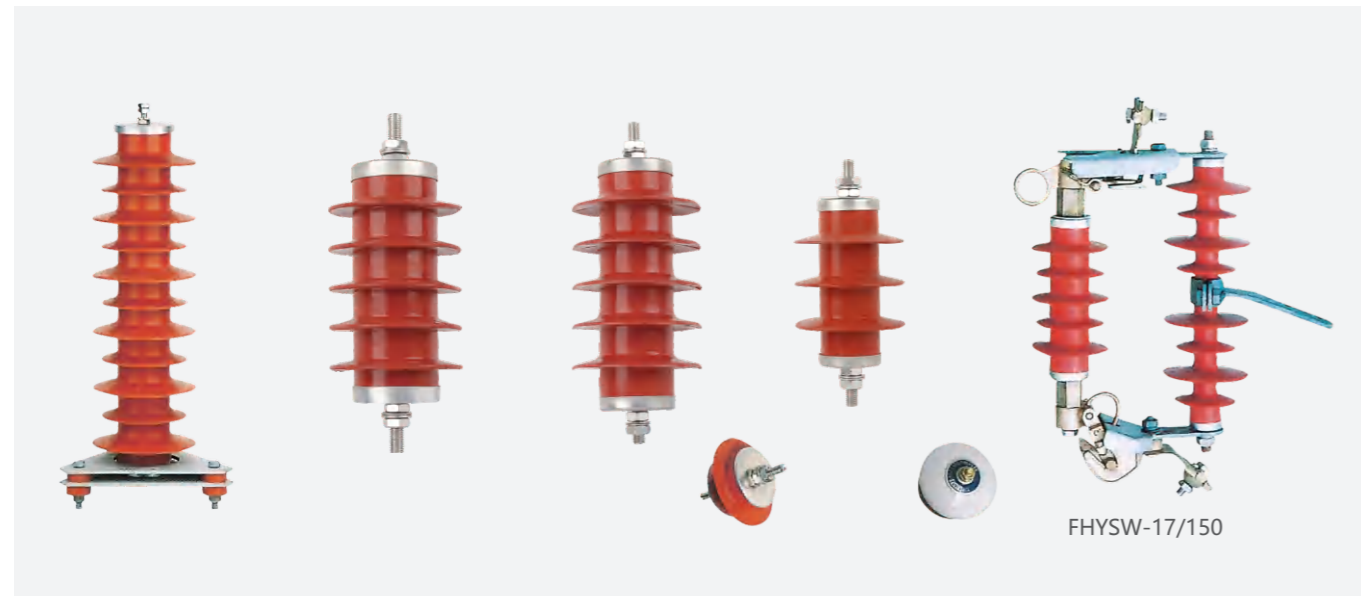
Features

The zinc oxide arrester is applied to protect the electrical equipment in AC power system against the damage resulted from atmospheres over-voltage and operational over-voltage.

Technical performance

The technical performance of the product confirms to GB11032-2000, IEC60099-4, IEEE.C62.11 standard technical requirements.

HYWS1 serise arrester



Surge Arrester Zinc Oxide Arrester

Technical data

Type	System Rated voltage KV(rms)	Arrester Rated voltage KV(rms)	Continuous Rated voltage KV(rms)	DC1mA voltage (kv)	Lightning Impulse residual voltage (kv)	Steep wave Impulse residual voltage (kv)	2ms square wave Impulse current withstand (A)
HYWS -3.8/17	3	3.8	2.4	7.5	17.0	19.6	100
HYWS -7.6/30	6	7.6	4.0	15.0	30.0	34.5	100
HYWS -12.7/50	10	12.7	6.6	26.0	50.0	57.5	150
HYWS17/50	10	17	13.6	26.5	50.0	57.5	150
HYWZ-7.6/27	6	7.6	4.0	14.5	27.0	31.0	200
HYWZ-12.7/45	10	12.7	6.6	24.0	45.0	51.8	200
HYWZ-17/45	10	17	12.7	24.0	45.0	51.8	200
HYWZ-42/134	35	52	40.8	78.0	134.0	154.0	400
HY2.5WD-7.6/19	605	7.6	4.8	11.5	19.0	21.9	200, 400
HY2.5WD-12.7/31	10.5	12.7	6.6	19.0	31.0	35.7	200, 400
HY2.5WD-16.7/40	13.8	16.7	9.0	25.0	40.0	46.0	400
HY2.5WD-19/45	15.7	19	10.0	28.5	45.0	51.8	400
HY5WR-7.6/27	6	7.6	4.8	13.8	27.0	20.8	400
HY5WR-12.7/45	10	12.7	6.6	23.0	45.0	35.0	400
HY5WR-42/134	35	52	23.4	73.0	134.0	105.0	400

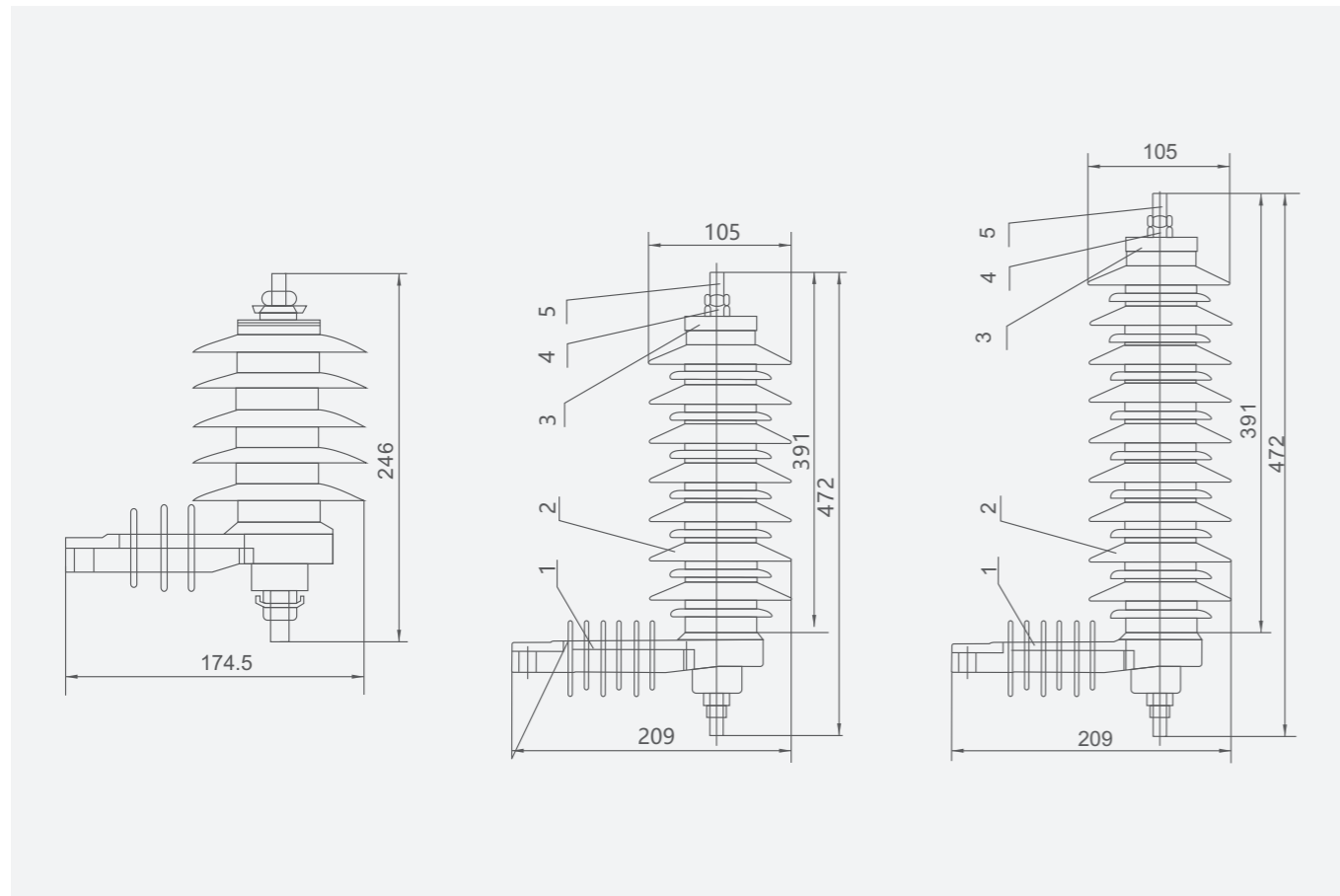
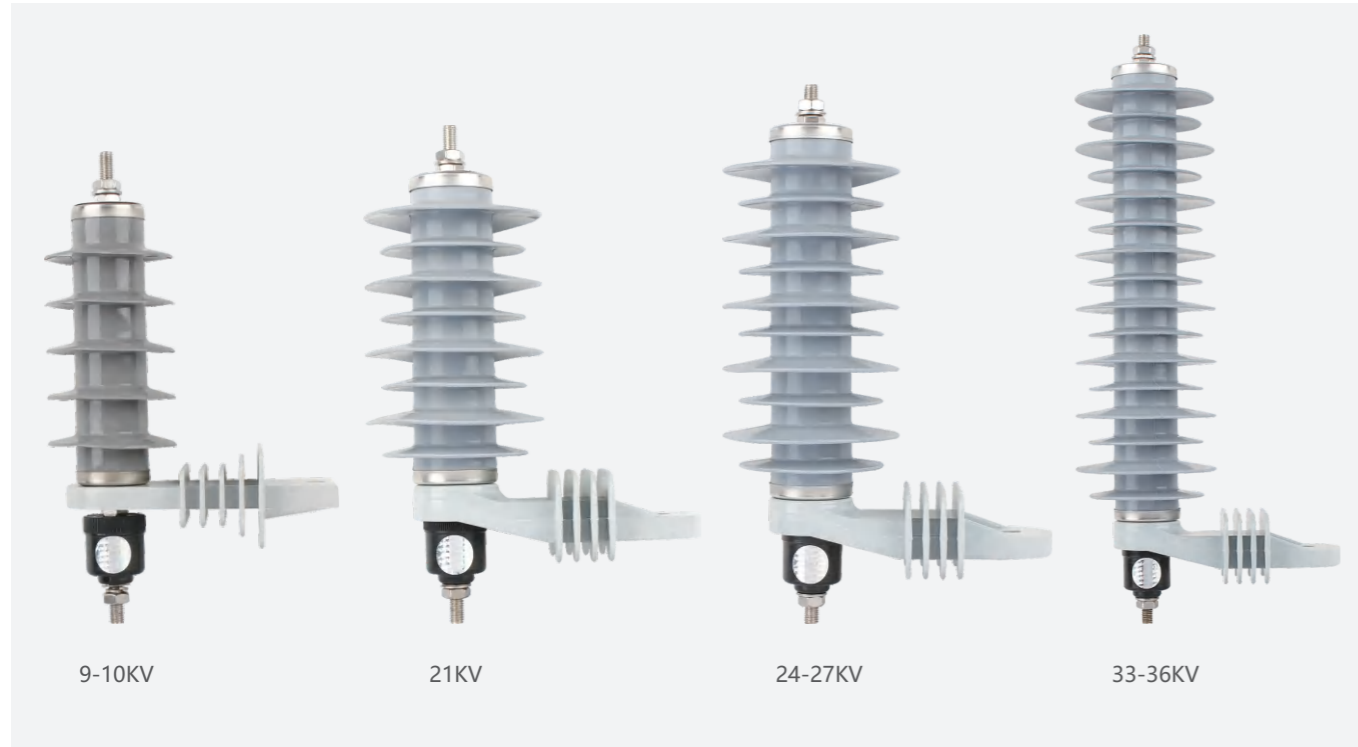
Application

Take HY5WS-17/50 as an example: H-Compound coat in organism ;Y-Metals oxide lightning arrester; 5-The mark calls to turn on electricity the electric current(KV);W-TheW mean to have no clefthe C means to establish the cleft; S-The S means to go together with the electricity; Z electricity stands; D electrical engineering type; R electric capacity type 17-Avoiding the thunder sum settles the electric voltage(KV)50-

The mark calls to turn on electricity electric current bottom biggest press(KV).

Surge Arrester Zinc Oxide Arrester

HY5W, HY10W serie polymer Type lightning arrester



Surge Arrester Zinc Oxide Arrester

Technical data

5KA Gapless Arrester Electrical Character

Type	Rated voltage (kV)	MCOV (kV)	Residual voltage(kV)			2000 μ s square wave impulses current withstand	4/10 μ s high current impulses
			Steep current impulse	Switching current impulse	8/20 μ s Lighting current impulse		
HY5W-3	3	2.55	9.5	7.7	9	100	65
HY5W-6	6	5.1	19.0	15.4	18	100	65
HY5W-9	9	7.65	28.5	23.1	27	100	65
HY5W-12	12	10.2	38.0	30.8	36	100	65
HY5W-15	15	12.7	47.5	38.5	45	100	65
HY5W-18	18	15.3	57.0	46.2	54	100	65
HY5W-21	21	17.0	66.5	53.9	63	100	65
HY5W-24	24	19.2	76.5	61.6	72	100	65
HY5W-27	27	21.9	85.5	69.3	81	100	65
HY5W-30	30	24.4	95.0	76.5	90	100	65
HY5W-33	33	26.8	104.5	84.7	99	100	65
HY5W-36	36	29	114.0	91.4	108	100	65
HY5W-42	42	34.1	132.3	100.1	126	100	65

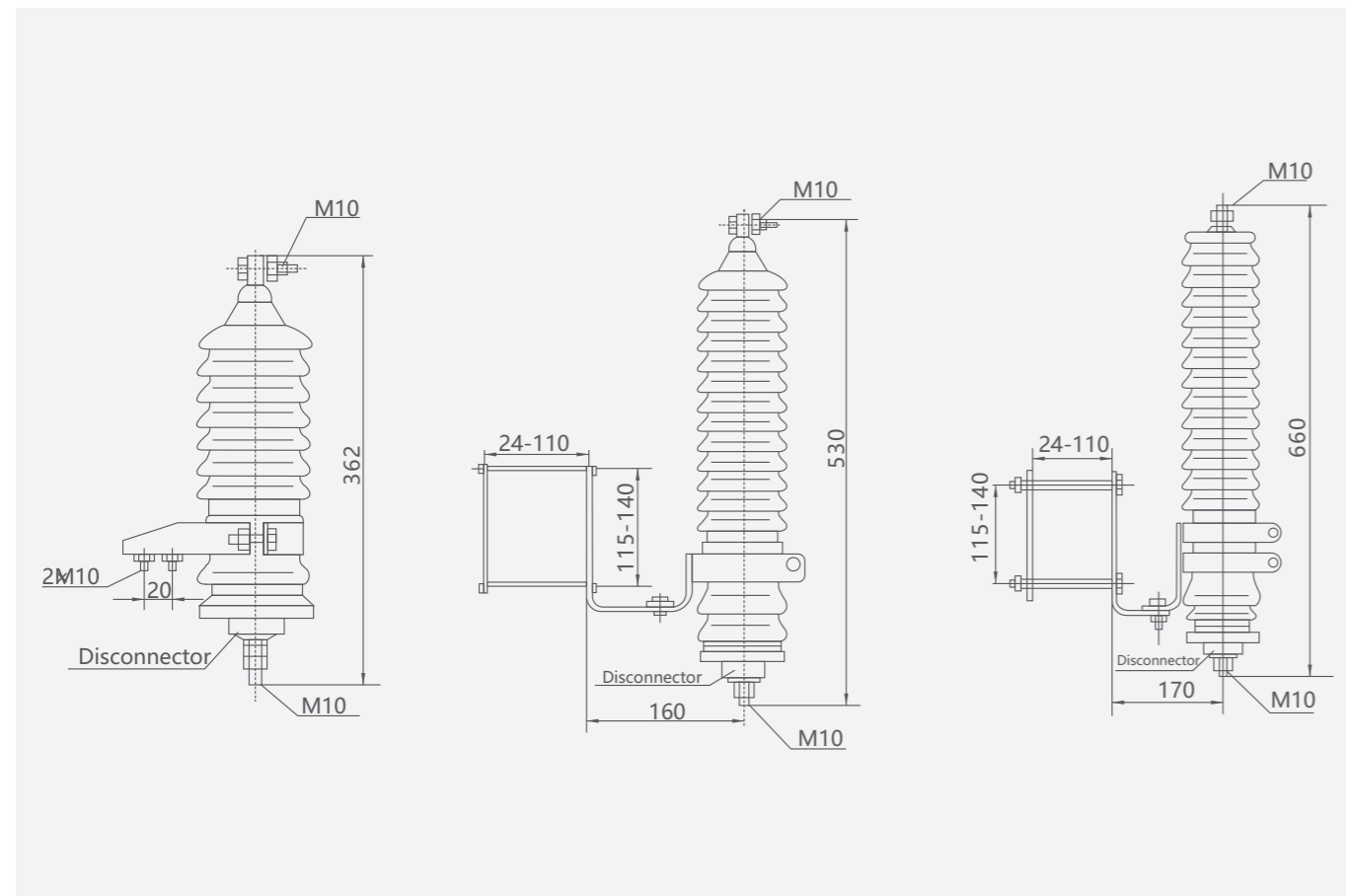
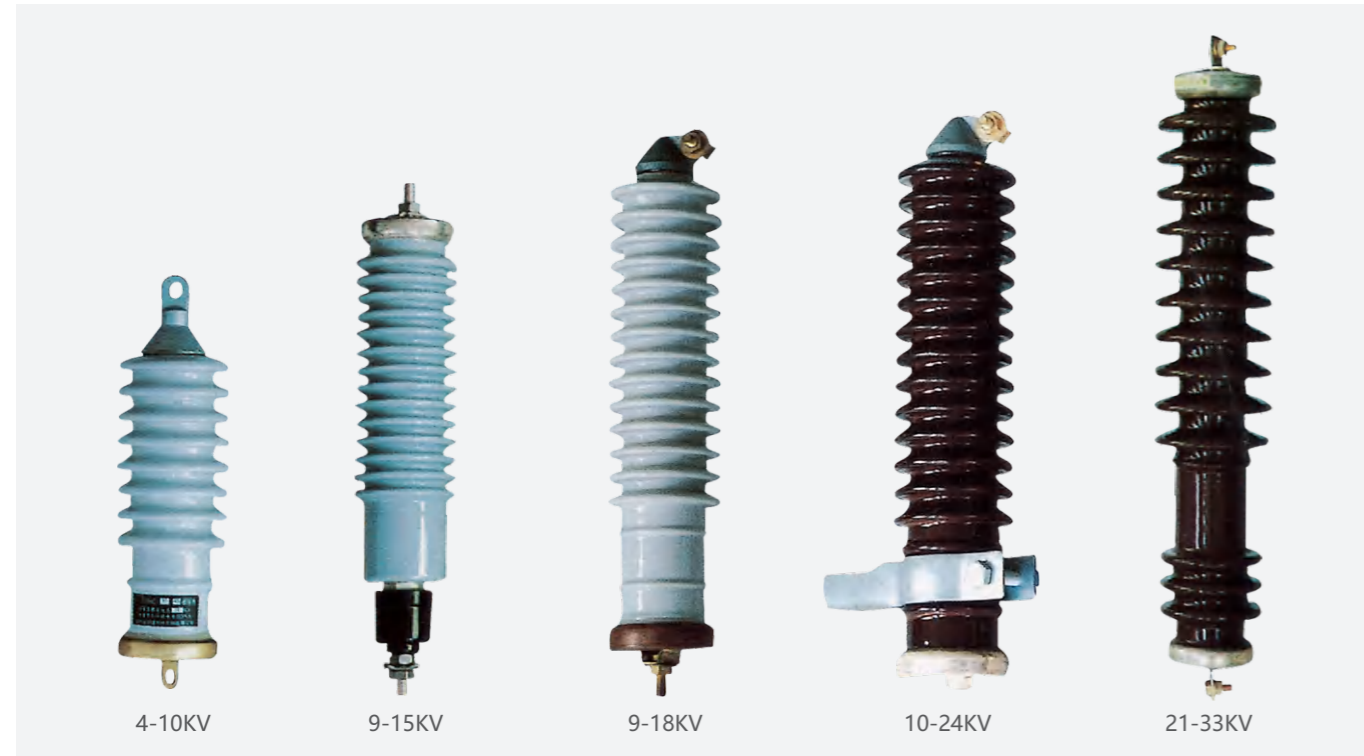
10KA Gapless Arrester Electrical Character

Type	Rated voltage (kV)	MCOV (kV)	Residual voltage(kV)			2000 μ s square wave impulses current withstand	4/10 μ s high current impulses
			Steep current impulse	Switching current impulse	8/20 μ s Lighting current impulse		
HY10W-3	3	2.55	9.5	7.7	9	1	100
HY10W-6	6	5.1	19.0	15.4	18	1	100
HY10W-9	9	7.65	28.5	23.1	27	1	100
HY10W-12	12	10.2	38.0	30.8	36	1	100
HY10W-15	15	12.7	47.5	38.5	45	1	100
HY10W-18	18	15.3	57.0	46.2	54	1	100
HY10W-21	21	17.0	66.5	53.9	63	1	100
HY10W-24	24	19.2	76.5	61.6	72	1	100
HY10W-27	27	21.9	85.5	69.3	81	1	100
HY10W-30	30	24.4	95.0	76.5	90	1	100
HY10W-33	33	26.8	104.5	84.7	99	1	100
HY10W-36	36	29	114.0	91.4	108	1	100
HY10W-42	42	34.1	133.0	100.1	126	1	100
HY10W-48	48	39	152.0	126.0	150	1	100
HY10W-54	54	43	171.0	139.0	162	1	100
HY10W-60	60	48	208.0	160.0	180	1	100
HY10W-66	66	52.8	230.0	172.0	198	1	100

Note: if is porcelain, without "H".

Surge Arrester Zinc Oxide Arrester

HY5W, Y5C, Y10W, Y10C serie arrester



Surge Arrester Zinc Oxide Arrester

Technical data

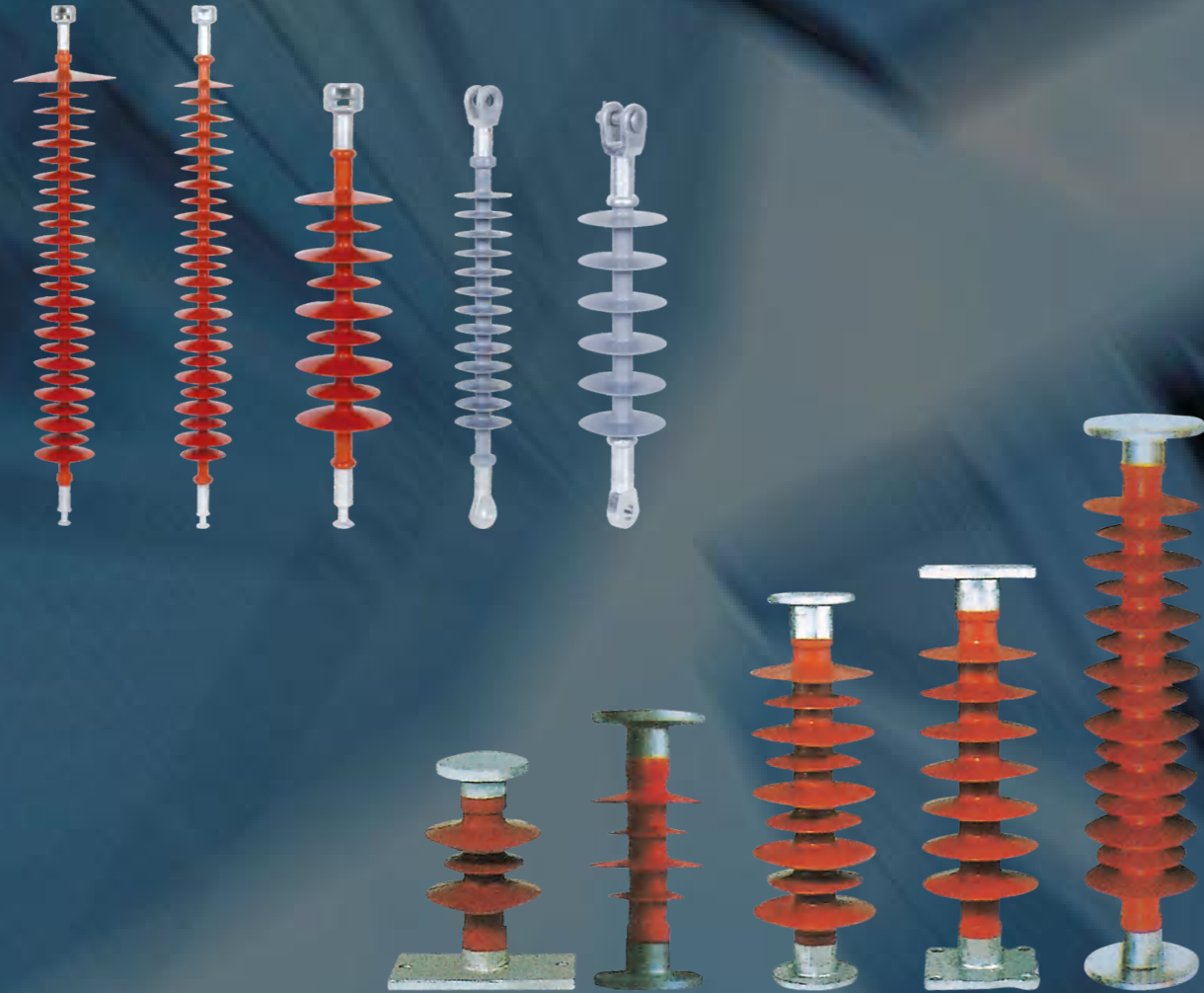
Type	System rated voltage (kv)	Arrester rated voltage (kv)	Continuous operation voltage (kv)	DC 1mA voltage (kv)	Lightning impulse residual voltage (kv)	Steep wave impulse residual voltage (kv)	2ms square wave impulse current withstand(A)	Service scope
Y1.5W-0.28/1.3	0.28	0.22	0.24	0.6	1.3	-	75	Low-voltage
Y1.5W-0.5/2.6	0.5	0.38	0.42	1.2	2.6	-	75	
Y5WS-3.8/1.7	3.8	3	2.0	7.5	17.0	19.6	100	S Power of distribution
Y5WS-7.6/30	7.6	6	4.0	15	30	34.5	100	
Y5WS-10/30	10	6	8.0	15	30	34.5	100	
Y5WS-12.4/50	12.7	10	6.6	25	50	57.5	100	
Y5WS-17/50	17	10	13.6	25	50	57.5	100	
Y5WZ-3.8/13.5	3.8	3	2.0	7.2	13.5	14.5	200	Z Transformer substation
Y5WZ-7.6/27	7.6	6	4.0	14.4	27	31.0	200	
Y5WZ-10/27	10	6	8.0	14.4	27	31.0	200	
Y5WZ-12.7/45	12.7	10	6.6	24	45	51.8	200	
Y5WZ-17/45	17	10	13.6	24	45	51.8	200	
Y5WZ-42/134	42	35	23.4	73	134	154	400	
Y5WZ-51/134	51	35	40.8	73	134	154	400	
Y5WZ-100/260	100	110	78	145	260	291	400, 600	D Circumvolve motor
Y10WE-100/260	100	100	78	145	260	291	600, 800	
Y2.5WD-3.8/9.5	3.8	3	2.0	5.7	9.5	10.7	400	
Y2.5WD-7.6/19	7.6	6	4.0	11.2	19	21.9	400	R Capacitor
Y2.5WD-12.7/31	12.7	10	6.6	18.6	31	35.7	400	
Y5WR-3.8/13.5	3.8	3	2.0	7.2	13.5	14.8	400	D Neuter point of motor
Y5WR-7.6/27	7.6	6	4.0	14.4	27	30.8	400	
Y5WR-10/27	10	6	8.0	14.4	27	31.0	400	
Y5WR-12.7/45	12.7	10	6.6	24	45	51	400	
Y5WR-17/45	17	10	13.6	24	45	51	400	
T5WR-51/134	51	35	40.5	73	134	154	400	D Neuter point of transformer
Y1.5W-2.4/6	2.4	3.2*	1.9	3.4	6	-	5	
Y1.5W-4.8/12	4.8	6.3*	3.8	6.8	12	-	10	D Neuter point of transformer
Y1.5W-8/19	8	10.5	6.4	11.4	19	-	15.9	
Y1.5W-60/144	60	110	48	85	144	-	135	
Y1.5W-72/186	72	110	58	103	186	-	174	

Note:

Please add an "H" before the spec. in the above table of composite organic housing zinc oxide arrester.

* is the rated voltage of motor.

Insulator



POWER TRANSMISSION AND
DISTRIBUTION PRODUCT SELECTION

PROFESSIONAL MANUFACTURER OF
HIGH AND LOW VOLTAGE PRODUCTS

CNC
ELECTRIC

Insulator

Polymer Insulators

- ❖ Polymer insulator shed made of silicon rubber for grantee the outside insulation;high strength epoxy poles provide inside insulation for products and sustain machine load. These products use new technology, which press connect of mold,mandril and metal terminal which. improved the products, reliability, the charaters as follows:
- ❖ Superior electrical function and strength soiling, small volumn, light weight, excellent impulse resistance, shock resistance, and explode resistance.

General



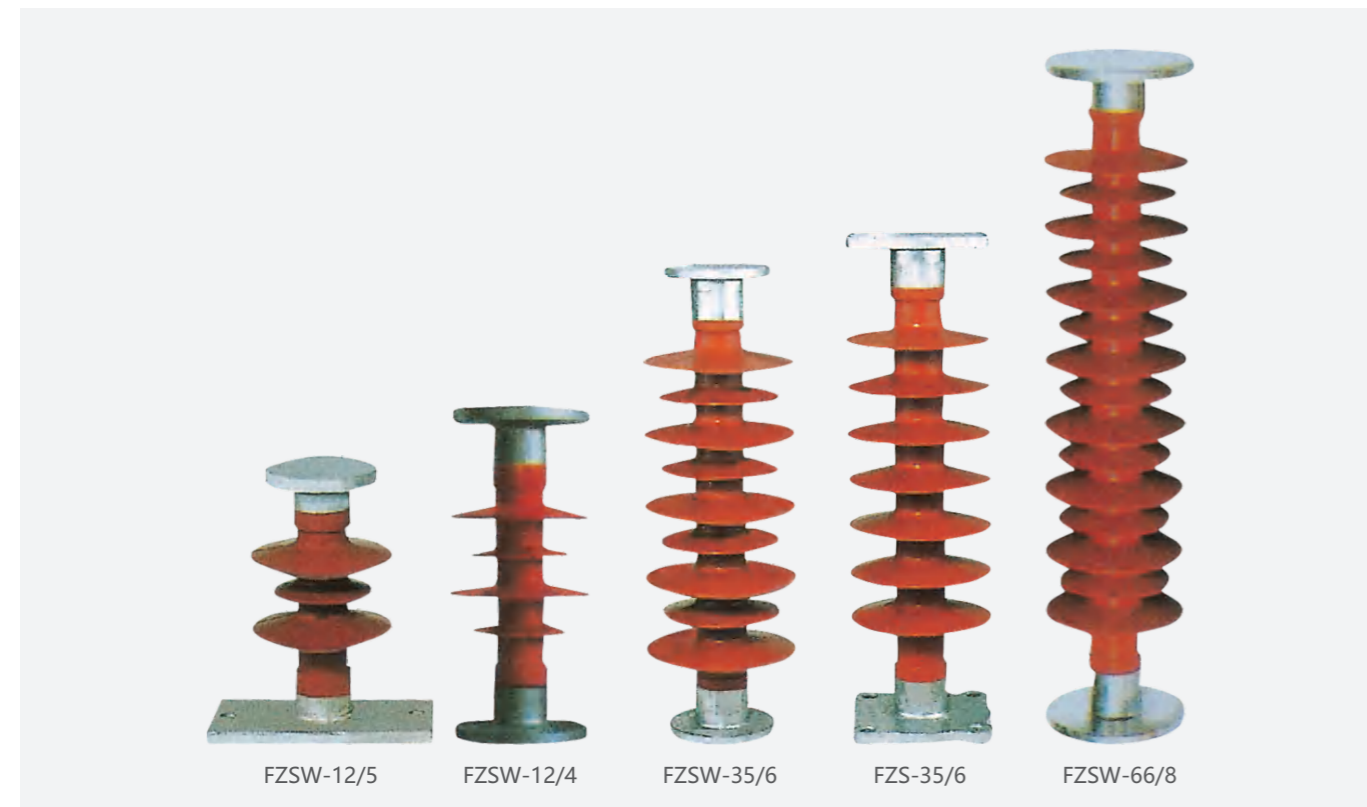
CNC
ELECTRIC

Insulator Polymer Insulators

Technical data

Type	Rated current (kv)	Rated mechanical load(kN)	Height (mm)	Insulating Li(mm)
FZSW-12/4	12	4	215±10	175
FZS-35/6	35	6	445±10	378
FZSW-35/6	35	6	450±10	360
FZSW-66/8	66	8	770±10	670
FZSW-110/10	110	10	1220±10	1085

Type	Min. creepage distance (mm)	Diameter of shed D.(mm)	Full wave lighting requery wet withsand vltage (peak)KV	1min Power requery wet withstand voltage (peak value)KV
FZSW-12/4	305	105/80	75	42
FZS-35/6	890	135	185	100
FZSW-35/6	946	140/115	185	100
FZSW-66/8	1825	170/135	325	165
FZSW-110/10	3160	185/160	490	230



Insulator Polymer Insulators

Technical data

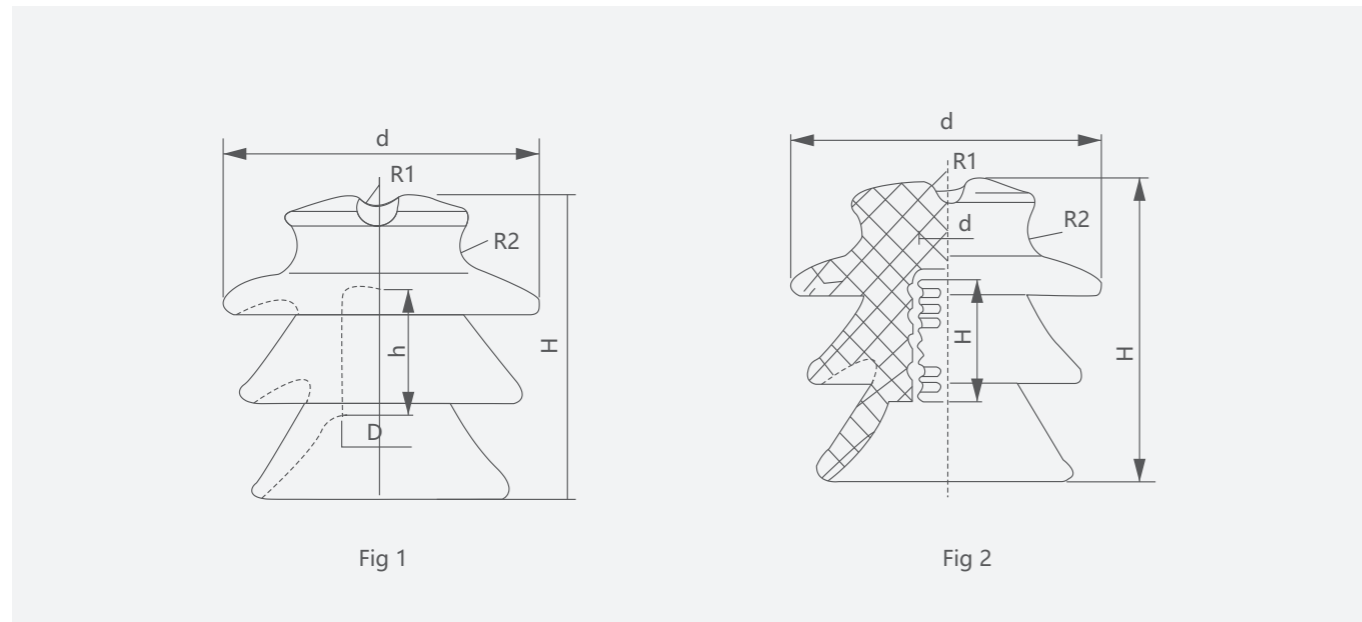
Type	Rated current (kv)	Rated mechanical load(kN)	Height (mm)	Insulating Li(mm)
FXBW2-12/70UC	12	70	350	180
FXB2-15/70UD	15	70	375	200
FXB2-24/70UD	24	70	430	290
FXB2-28/70UD	28	70	430	290
FXB2-33/70UD	33	70	550	360
FXB2-35/70UD	36	70	570	400
FXBO2-36/70	36	70	650	450

Type	Min. creepage distance (mm)	Diameter of shed D.(mm)	Full wave lighting requery wet withsand vltage (peak)KV	1min Power requery wet withstand voltage (peak value)KV
FXBW2-12/70UC	360	98/88	42	105
FXB2-15/70UD	470	98/88	42	105
FXB2-24/70UD	680	98	42	150
FXB2-28/70UD	680	98	95	230
FXB2-33/70UD	720	98	95	230
FXB2-35/70UD	1000	76	95	230
FXBO2-36/70	720	98	95	230



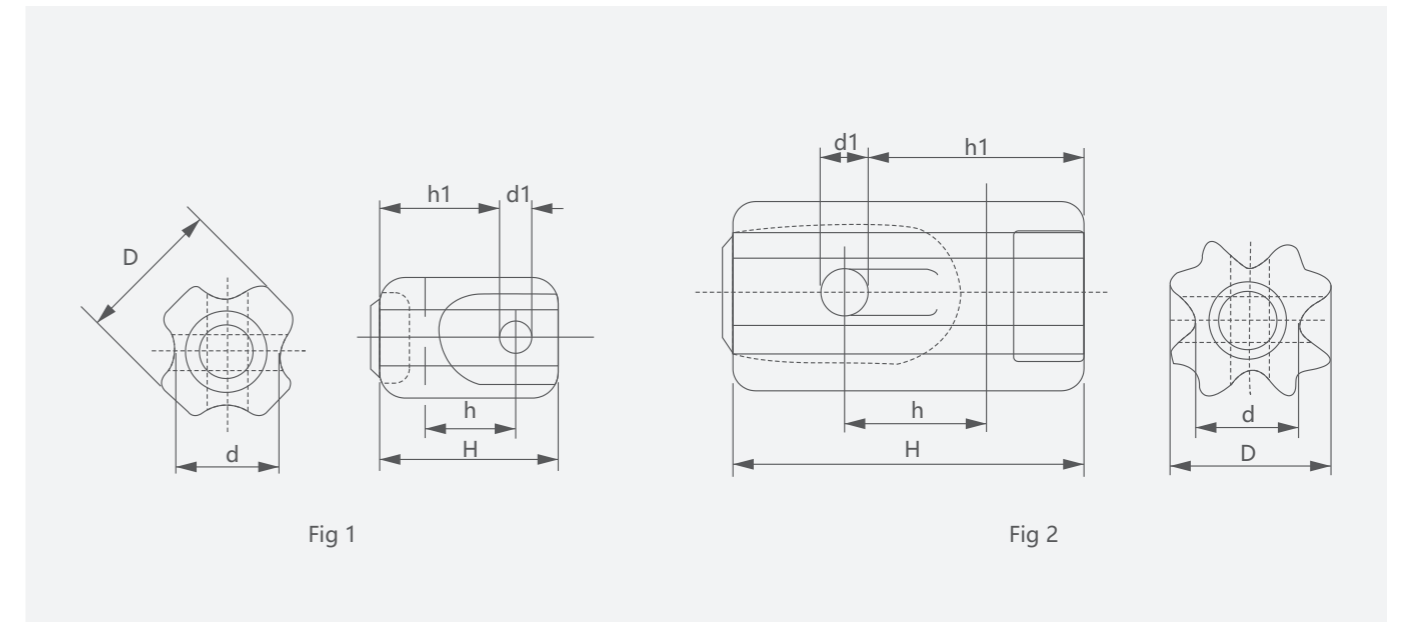
Insulator

Polymer Insulators



Insulator

Polymer Insulators



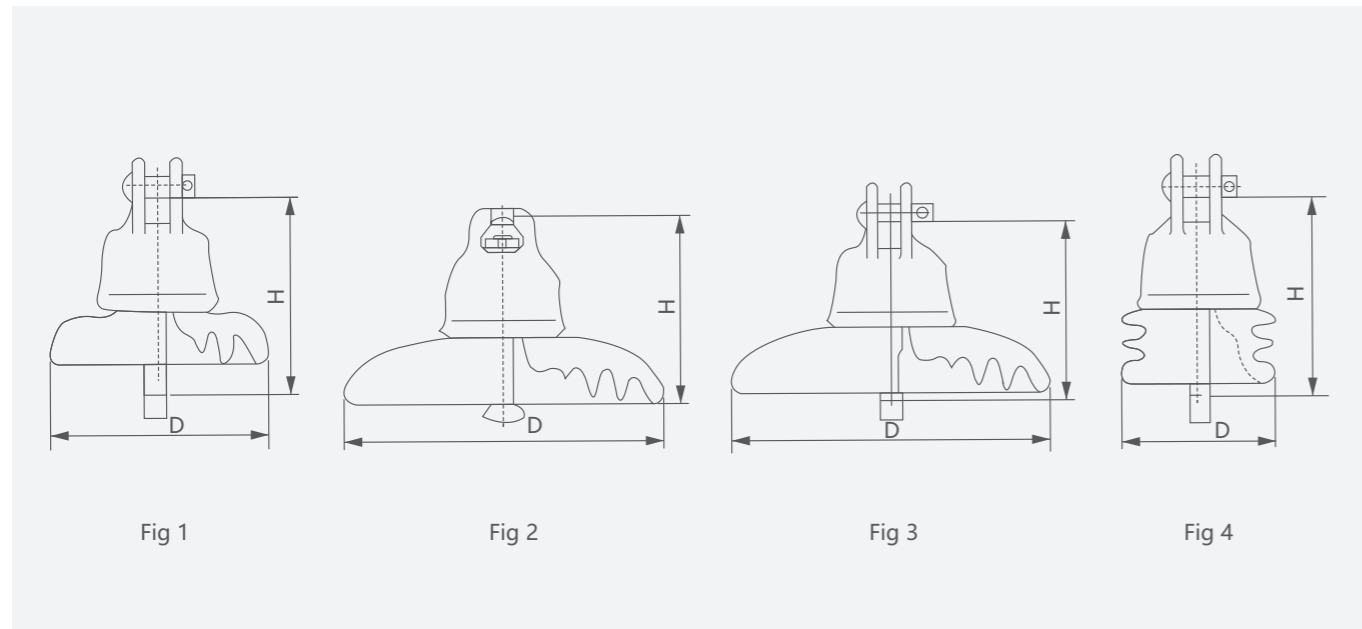
Main dimensions and standard parameter

Type		st-10/J	st-15/J	st-20/J	P-20-D	
Cat.No		101034	101022	101023	101015	
Fig.No		1	1	1	2	
Main dimensions(mm)	H	130	150	185	185	
	h	55	60	65	52.63	
	D	135	150	175	175	
	d	31	31	35	27.78	
	R1	10	10	10	10	
	R2	12.5	12.5	12.5	12.5	
Nominal voltage (kV)		10	15	20	20	
Creepage distance (mm)		240	270	340	340	
Power-frequency puncture voltage (kV)		110	120	140	150	
Electronical failing load (KN)		12	12	14.7	14.7	
Flashover (min)	Power frequency	Dry(kV)	70	75	90	80
		Wet(kV)	42	53	65	50
	50% Critical fmpulse		100	110	130	130
Weight(kg)		1.5	2.7	3.4	3.8	

Main dimensions and standard parameter

Type		54-1	54-2	54-3	54-4	
Cat.No		012001	012001	012003	012001	
Fig.No		1	1	1	2	
Main Dimensions(mm)	H	88	108	140	171	
	h	64	76	103	114	
	D	64	73	86	89	
	d	44	54	60	60	
	R1	16	22	25	25	
	R2	44	57	79	69	
Mechanical Failing load (kg)		44	53	89	89	
Creepage distance (mm)		41	47	57	76	
Flashover (min)	Power Frequency	Dry(kV)	25	30	35	40
		Wet(kV)	12	15	18	23
Weight(kg)		0.43	0.63	1.2	2	

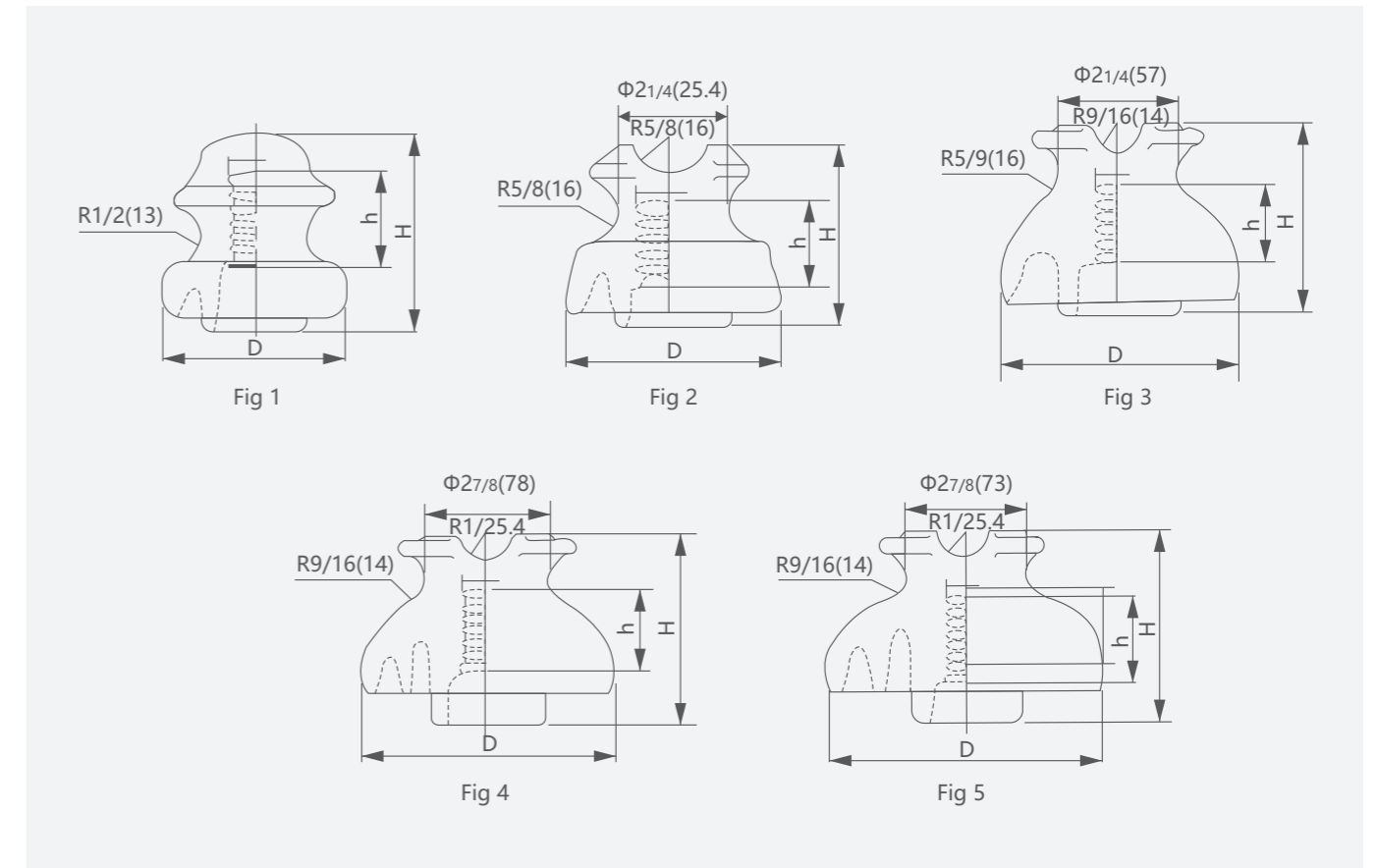
Polymer Insulators



Main dimensions and standard parameter

ANSI class	Fig	Main dimension in(mm)		Creepage distance in(mm)	Combined M&E strength lB(kN)	Mechanical impact strength in-lb(N-m)	Time load test value lB(kN)	Average Flashover voltage				Power frequency puncture voltage KV	Radio Influence voltage	
		D (max)	H					Power frequency		Critical Impulse			Test Voltage to ground KV	IMHz Max Rlvatl MHz
								Dry kV	Wet kV	Positive kV	Negative kV			
52-1	1	61/2 (165)	51/2 (141)	7 (178)	10000 (44)	45 (5.0)	6000 (27)	60	30	100	100	80	7.5	7.5
52-2	1	8 (203)	53/4 (146)	81/4 (210)	15000 (67)	50 (5.5)	10000 (44)	65	35	115	115	90	7.5	7.5
52-3	2	103/4 (273)	103/4 (146)	111/2 (292)	15000 (67)	55 (6.0)	10000 (44)	80	50	125	130	110	10	10
52-4	2	103/4 (273)	53/4 (146)	111/2 (292)	15000 (67)	55 (6.0)	10000 (44)	80	50	125	130	110	10	10
52-5	2	103/4 (273)	53/4 (146)	11 (279)	25000 (111)	60 (7.0)	15000 (67)	80	50	125	130	110	10	10
52-6	3	103/4 (273)	53/4 (146)	11 (279)	25000 (111)	60 (7.0)	15000 (67)	80	50	125	130	110	10	10
52-9	4	41/2 (114)	61/4 (160)	63/4 (171)	10000 (44)	45 (5.0)	6000 (27)	60	30	100	90	80	7.5	7.5

Polymer Insulators

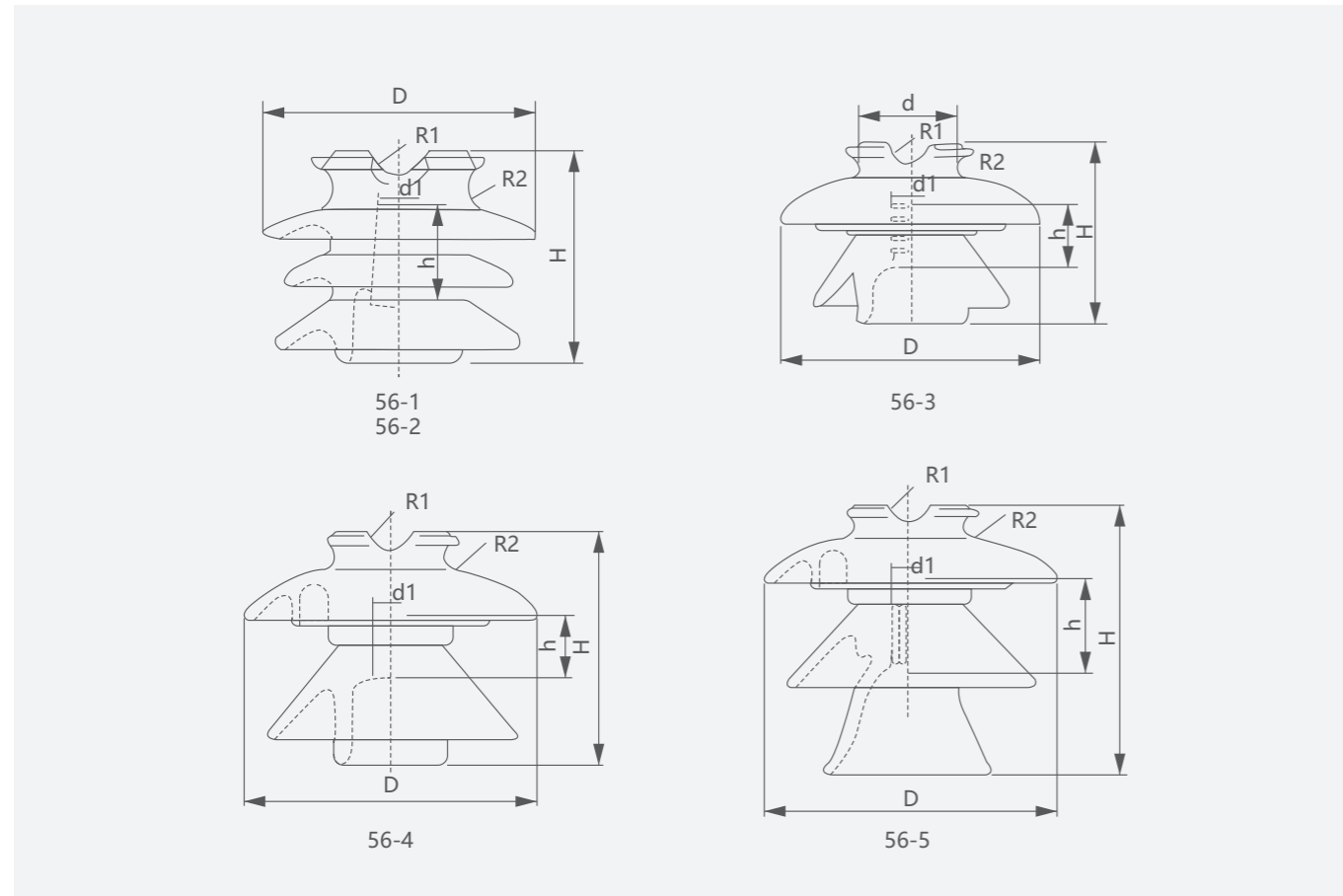


Main dimensions and standard parameter

ANSI class	Fig	Main dimension in(mm)			Creepage distance in(mm)	Min.Pin length in (mm)	Cantilever strength lb (kn)	Average flashover voltage				Power frequency puncture voltage KV	Radio Influence Voltage	
		D	H	h				Power frequency		Critical Impulse			Test voltage to Ground KV	IMHz Max Rlvatl MHz
								Dry kV	Wet kV	Positive kV	Negative kV			
55-1	1	31/4 (83)	31/2 (89)	13/4 (44)	4 (102)	4 (102)	3000 (13)	35	20	50	70	50	5	2500/50
55-2	2	33/4 (95)	31/4 (83)	31/2 (83)	5 (127)	4 (102)	2500 (11)	50/45	25	75/70	95/85	70	5	2500/50
55-3	3	43/4 (121)	33/4 (95)	31/2 (83)	7 (178)	5 (127)	2500 (11)	65/55	35/30	100/90	130/110	90	10	5500/50
55-4	4	51/2 (140)	43/8 (111)	13/4 (44)	9 (229)	5 (127)	3000 (13)	70/65	40/35	110/105	140/130	95	10	5500/50
55-5	5	7 (178)	43/8 (124)	2 (51)	12 (305)	6 (125)	3000 (13)	85/80	45	140/130	170/150	15	15	8000/100

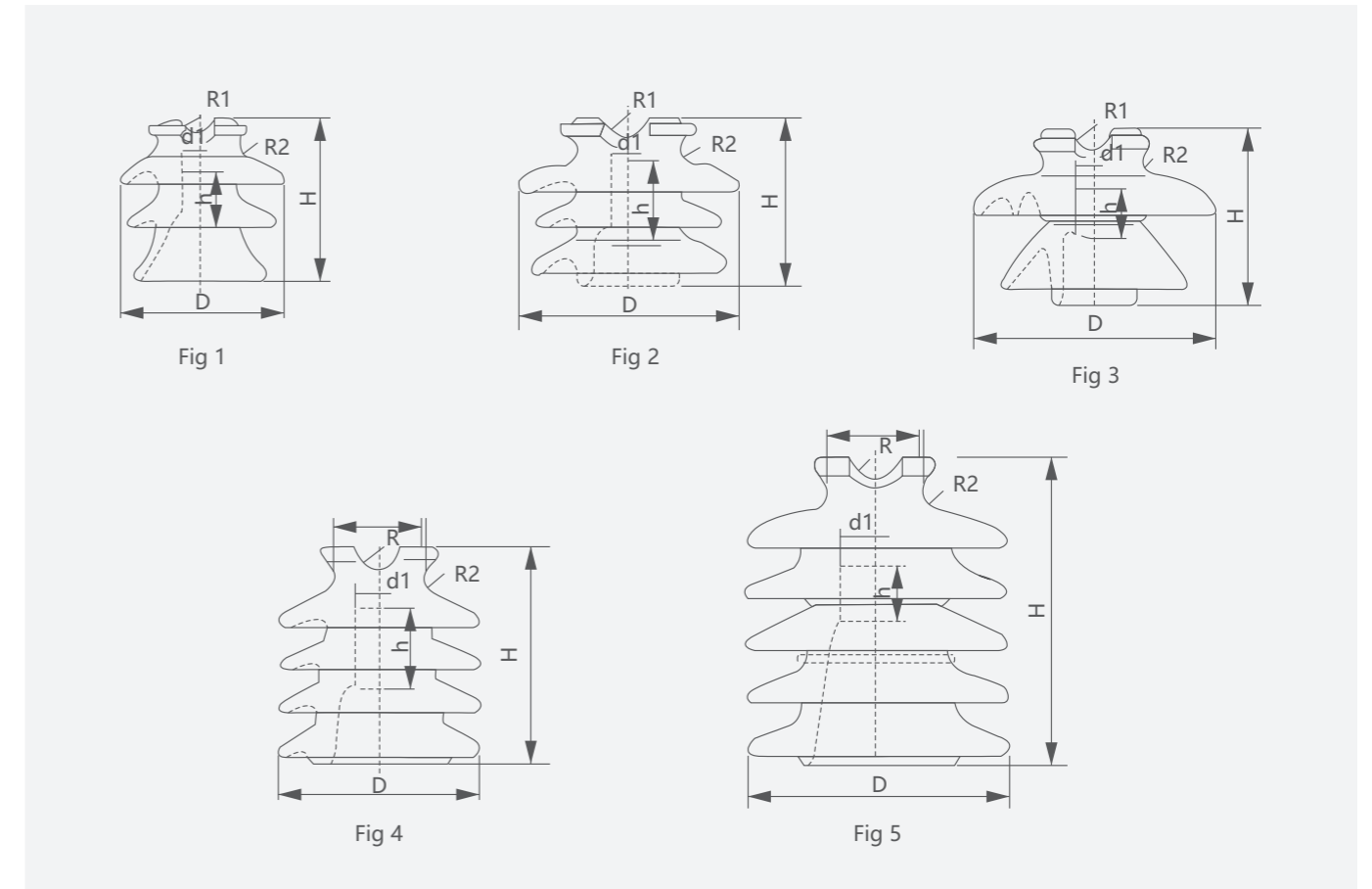
Insulator

Polymer Insulators



Insulator

Polymer Insulators



Main dimensions and standard parameter

ANSI class	Main dimension in(mm)							Creepage distance in(mm)	Min.Pin length in (mm)	Cantilever strength lb (kn)	Average flashover voltage				Power frequency puncture voltage KV	Radio Influence voltage	
	D	H	d	d1	h	R1	R2				Power Frequency		Critical Impulse			Test voltage to ground KV	IMHz Max Rlvat/ MHz
											Dry kV	Wet kV	Positive kV	Negative kV			
56-1	71/2 (191)	53/4 (146)	31/2 (89)	13/8 (35)	2 (51)	3/4 (19)	9/14 (19)	13 (330)	6 (152)	2500 (11)	95	60	150	190	130	15	100
56-2	9 (229)	61/2 (165)	4 (102)	13/8 (35)	2 (51)	3/4 (19)	9/14 (19)	17 (432)	7 (178)	3000 (13.2)	110	70	175	225	145	22	100
56-3	101/2 (267)	71/2 (241)	4 (102)	13/8 (35)	2 (51)	3/4 (19)	9/14 (19)	21 (533)	8 (203)	3000 (13.2)	125	80	200	265	165	30	200
56-4	12 (305)	121/2 (241)		13/8 (35)	2 (51)	3/4 (19)	9/14 (19)	27 (385)	10 (254)	3000 (13.2)	140	95	225	310	185	30	200
56-5	131/2 (343)	121/2 (318)		13/8 (35)	2 (51)	3/4 (19)	9/14 (19)	34 (864)	12 (305)	3000 (13.2)	175	125	270	340	225	44	200

Main dimensions and standard parameter

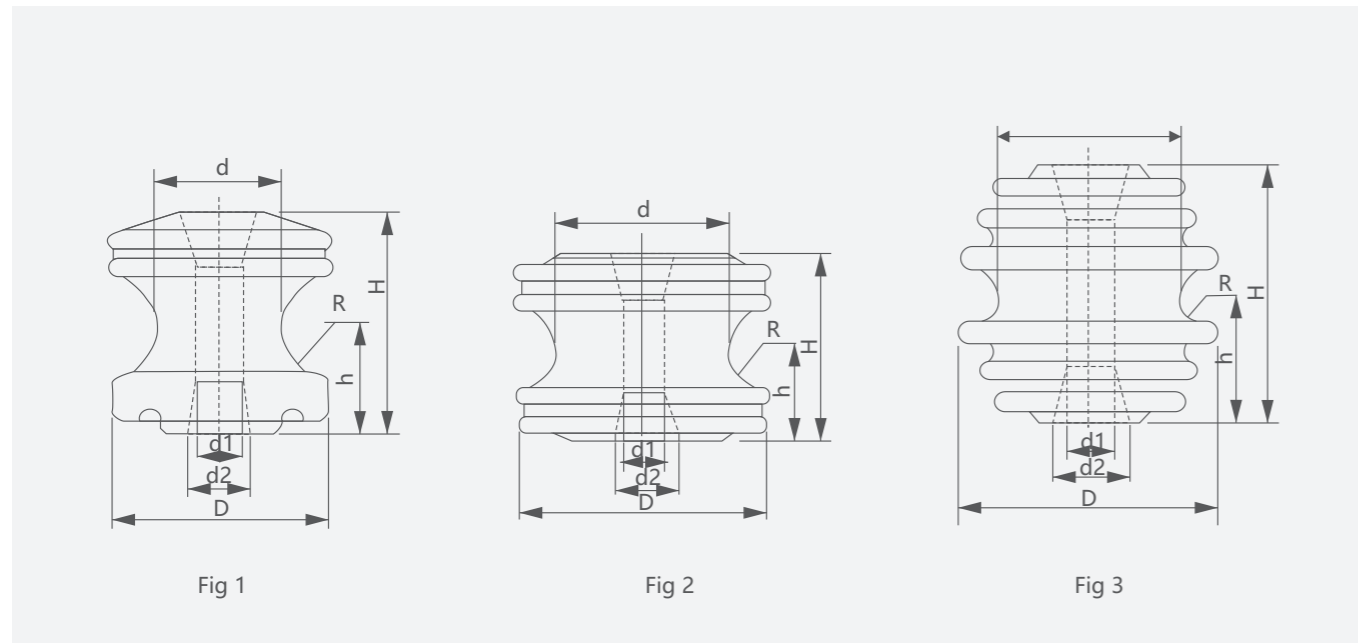
Type	Fig	Main dimension in(mm)							Creepage distance in(mm)	Cantilever strength lb (kn)	Withstand voltage		Power frequency Puncture voltage KV	Radio influence voltage		Used spindle
		D	H	d1	h	R1	R2	d			1m Wer power frequency withstand voltage KV	Dry Impulse wirhstand voltage (peak)KV		Test voltage to ground KV	IMHz Max Rlvat/ MHz	
P-15-Y	1	152	137	18.29	48	13	12.7		298	11	50	95	150	15	8000/100	
P-22-Y	2	230	165	27.78	52.63	19	14.3		432	11	70	125	200	22	12000/100	large steel head
P-33-Y	3	279	244	27.78	52.63	19	13		630	13.8	90	170	210	30	16000/100	
PW-15-Y	4	170	185		52.63	16	16	76	432	11	50	95	150	22	12000/100	
PW-22-Y	5	205	255		52.63	16	16	76	673	11	70	125	200	30	16000/100	
PW-33-Y	5	240	320		52.63	16	16	76	851	11	90	170	210	44	25000/100	

Note:

The left side of slant is Comman glaze, the right side of slant is semiconductor glaze.

Insulator

Polymer Insulators

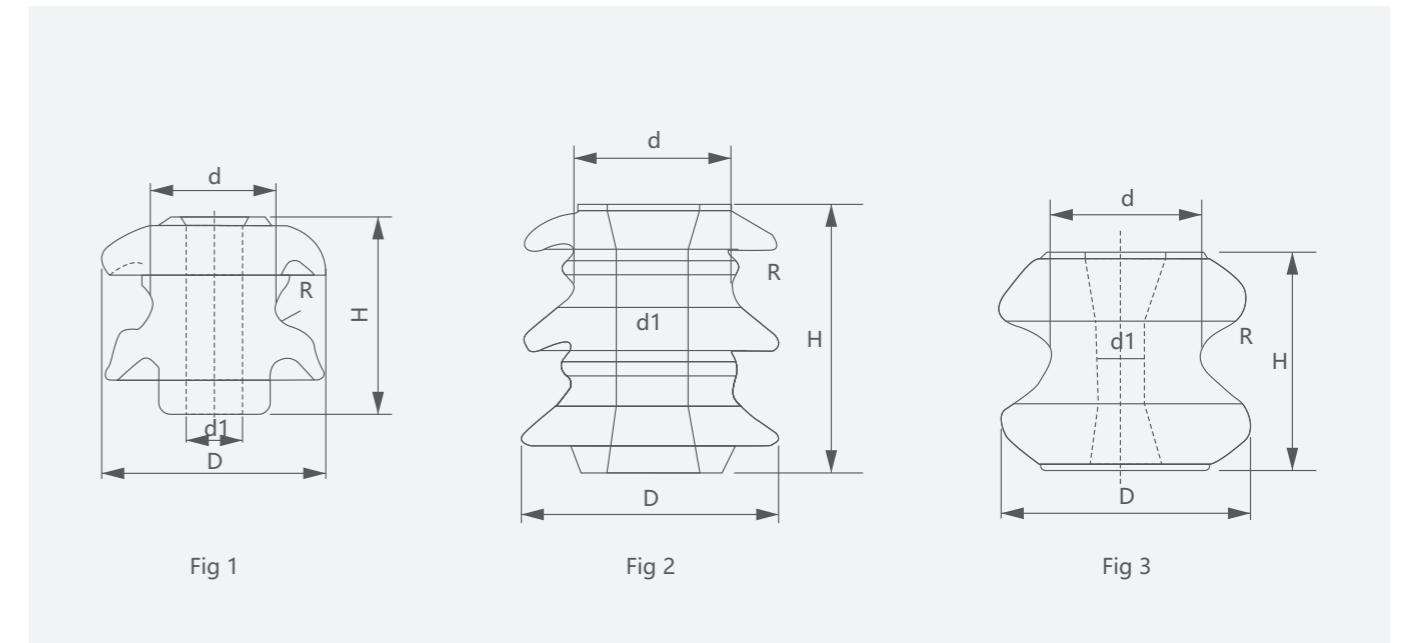


Main dimensions and standard parameter

Type		53-1	53-2	53-3	53-4	53-5		
Cat.No		006008	006009	006010	006011	006012		
Fig.No		2	1	2	2	3		
Main dimensions(mm)	H	54	76	81	76	105		
	h	27	38	40.5	38	52.5		
	D	57	79	76	105	102		
	d	45	45	45	73	73		
	d1	8	18	18	18	18		
	d2	22	24	24	24	24		
	R	11	18	11	16	11		
Mechanical failing load (kg)		907	1360	1814	2041	2722		
Flashover (min)	Power frequency	Dry(kV)		20	25	25	25	35
		Wet (kV)	Upright	8	12	12	12	18
			Level	10	15	15	15	25
Weight(kg)		0.22	0.55	0.60	1.15	1.20		

Insulator

Polymer Insulators



Main dimensions and standard parameter

Cat.No		006006	006005	006007	006013	006014	006015	
Fig.No		2	1	1	3	3	3	
Class Bs		ED-2(C)	ED-2(B)	ED-2(B)1	11617	1618-1	1618-2	
Main dimensions(mm)	H	80	76	76	65	75	75	
	D	80	89	89	76	89	89	
	d	50	48	48	46	55	55	
	d1	22	21	17.5	17.6	17	17	
	R	6	10	10	9	12.5	12.5	
Mechanical failing load (kg)		13	12	12	9	10	13	
Flashover (min)	Power frequency	Dry(kV)	25	25	25	20	20	25
		Wet(kV)	15	12	12	9	9	12
Weight(kg)		0.50	0.50	0.50	0.4	-	-	

Fired blank: bron glaze